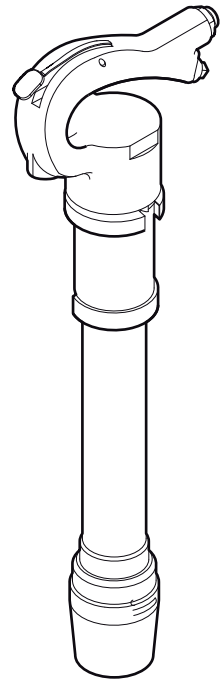




**Chicago  
Pneumatic**

## **Spare parts list**

**Handheld pneumatic rivet busters  
CP 4608 P, CP 4611 P, CP 4608 D, CP 4611 D**





# Contents

<b>General information</b> .....	5
<b>Spare parts list</b> .....	6
CP 4608 P .....	6
CP 4611 P.....	8
CP 4608 D.....	10
CP 4611 D.....	12
<b>Working tools</b> .....	14
Buster.....	14
Buster.....	15
<b>Accessories</b> .....	16
Hose rolls.....	16
Pre-mounted universal hoses with claw couplings.....	16
Water separator.....	17
Lubricator.....	17
CP Airolene Plus Tool Oil.....	17



## General information

This spare parts list applies to the following:

Description
Handheld pneumatic rivet buster CP 4608 P
Handheld pneumatic rivet buster CP 4611 P
Handheld pneumatic rivet buster CP 4608 D
Handheld pneumatic rivet buster CP 4611 D

Use only authorized parts. Any damage or malfunction caused by the use of unauthorized parts is not covered by Warranty or Product Liability. Any unauthorized use or copying of the contents or any part thereof is prohibited. This applies in particular to trademarks, model denominations, part numbers, and drawings.

### Instructions for use

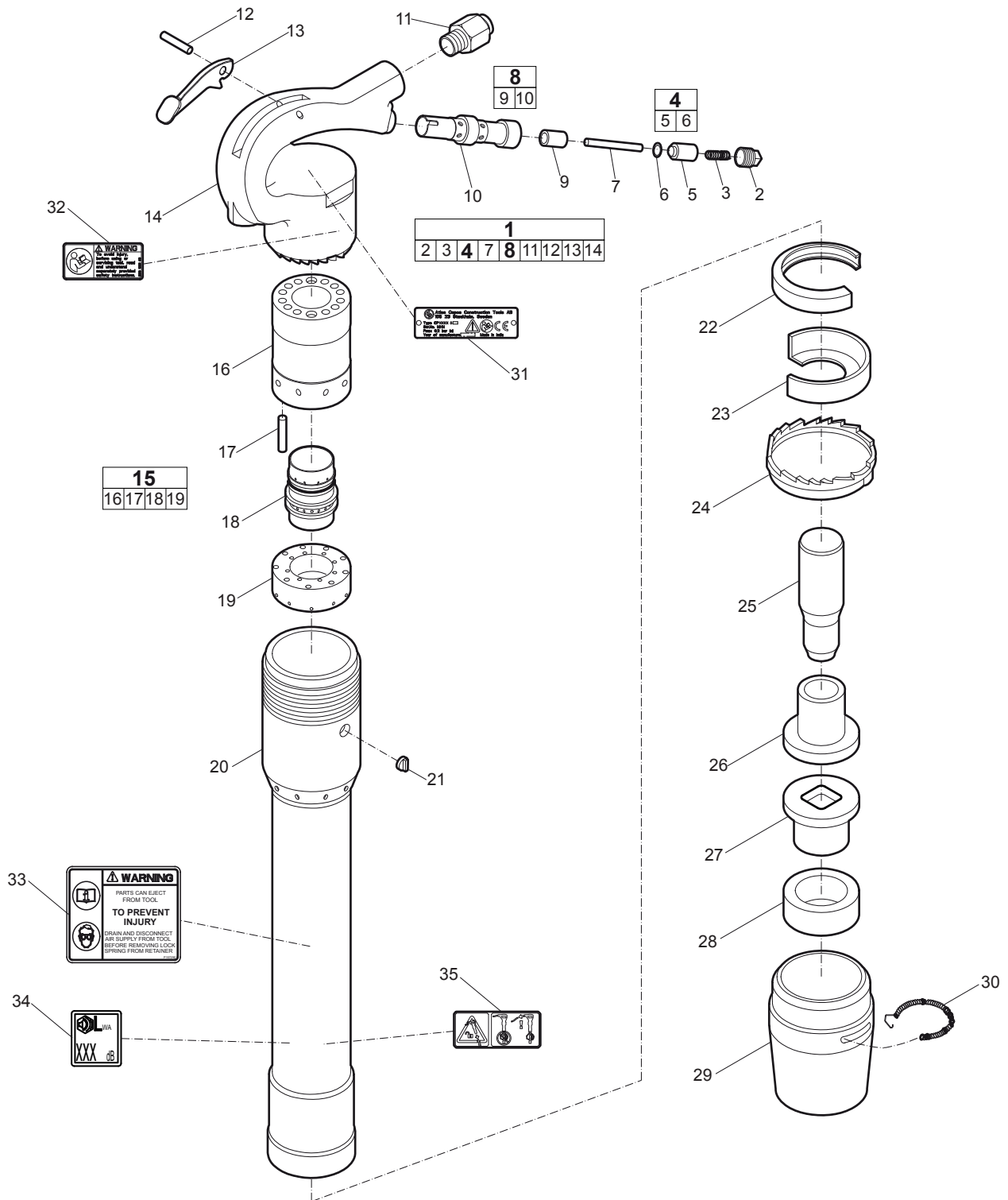
This spare parts list contains no safety regulations and is merely intended to assist in the ordering of spare parts.

For information about operating, servicing, or repairing, the relevant Safety and operating instructions must be consulted at all costs.

Please observe the safety instructions listed in the relevant Safety and operating instructions!

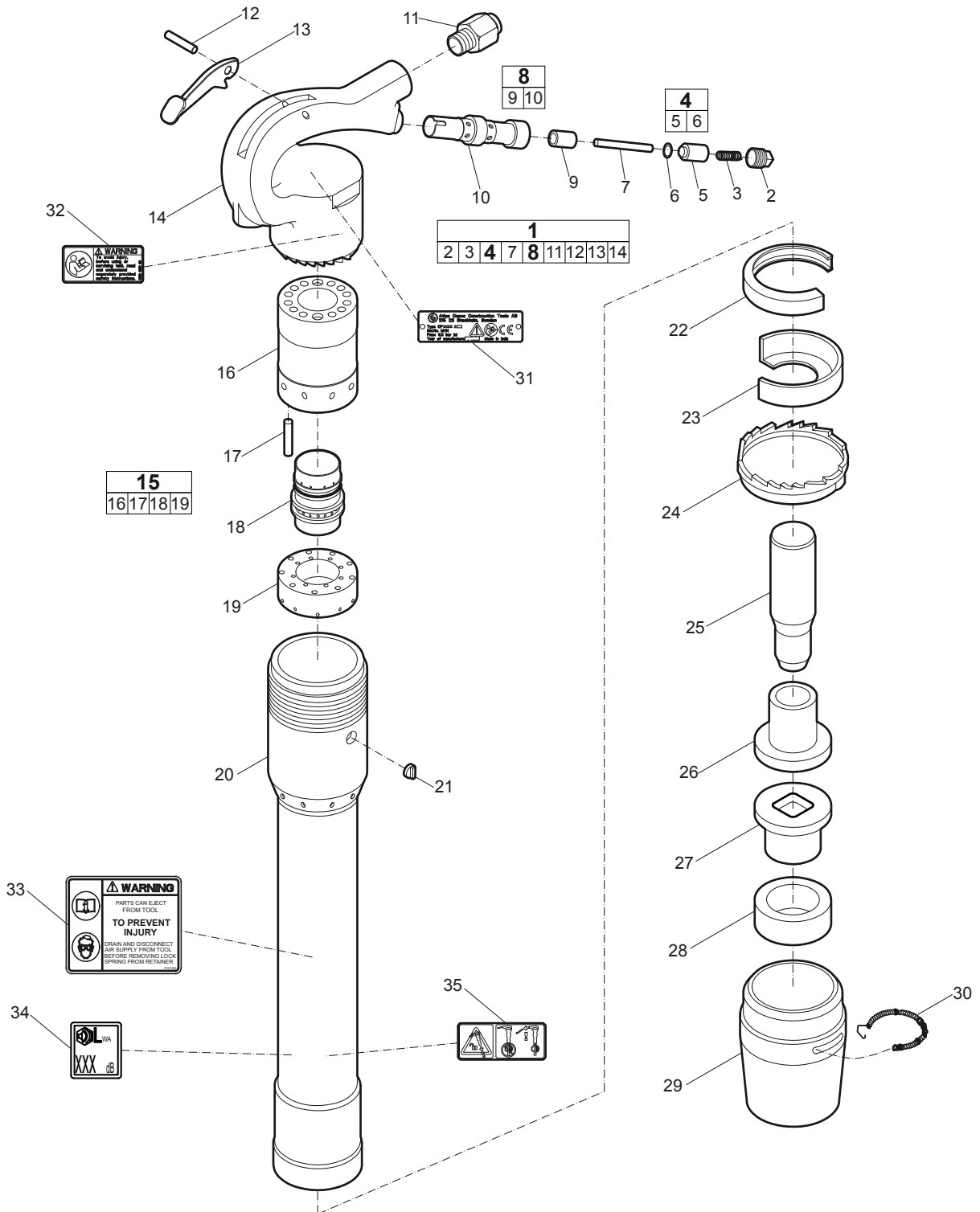
# Spare parts list

## CP 4608 P



No.	Description	Remark	Quantity	Part number
<b>1(2-3,4,7,8,11-14)</b>	<b>Handle, complete</b>		1	P007164
2	Plug - Valve tube		1	P001873
3	Spring - Valve		1	P001853
<b>4(5-6)</b>	<b>Valve - Throttle, complete</b>		1	P001799
5	Valve - Throttle		1	-
6	O-ring		1	P083071
7	Pin - Push	Valve	1	P004834
<b>8(9-10)</b>	<b>Tube - Throttle, complete</b>		1	P007325
9	Bushing		1	P004839
10	Tube - Throttle		1	-
11	Bushing - Air inlet	½" NPTF (With strainer)	1	P001995
12	Pin - Lever		1	P001915
13	Lever - Throttle		1	P001982
14	Handle		1	-
<b>15(16-19)</b>	<b>Valve, complete</b>		1	P007385
16	Case - Valve		1	P006319
17	Dowel		1	3303 0050 86
18	Valve		1	P001538
19	Lid - Valve case		1	P006320
20	Cylinder		1	-
21	Key - Lock collar		1	P001430
22	Clip - Spring	Lock collar	1	P001355
23	Deflector - Exhaust		1	P001389
24	Collar - Lock		1	P001399
25	Piston	8" Stroke	1	3303 0050 94
26	Sleeve - Upper		1	P156988
27	Sleeve - Lower		1	P072333
28	Bumper		1	3303 0051 03
29	Sleeve - Retainer		1	P071849
30	Spring - Lock		1	P073942
31	Data Plate		1	-
32	Safety label		1	3310 1602 00
33	Warning label		1	P157290
34	Noise level label		1	-
35	Eject warning label		1	3310 1572 00

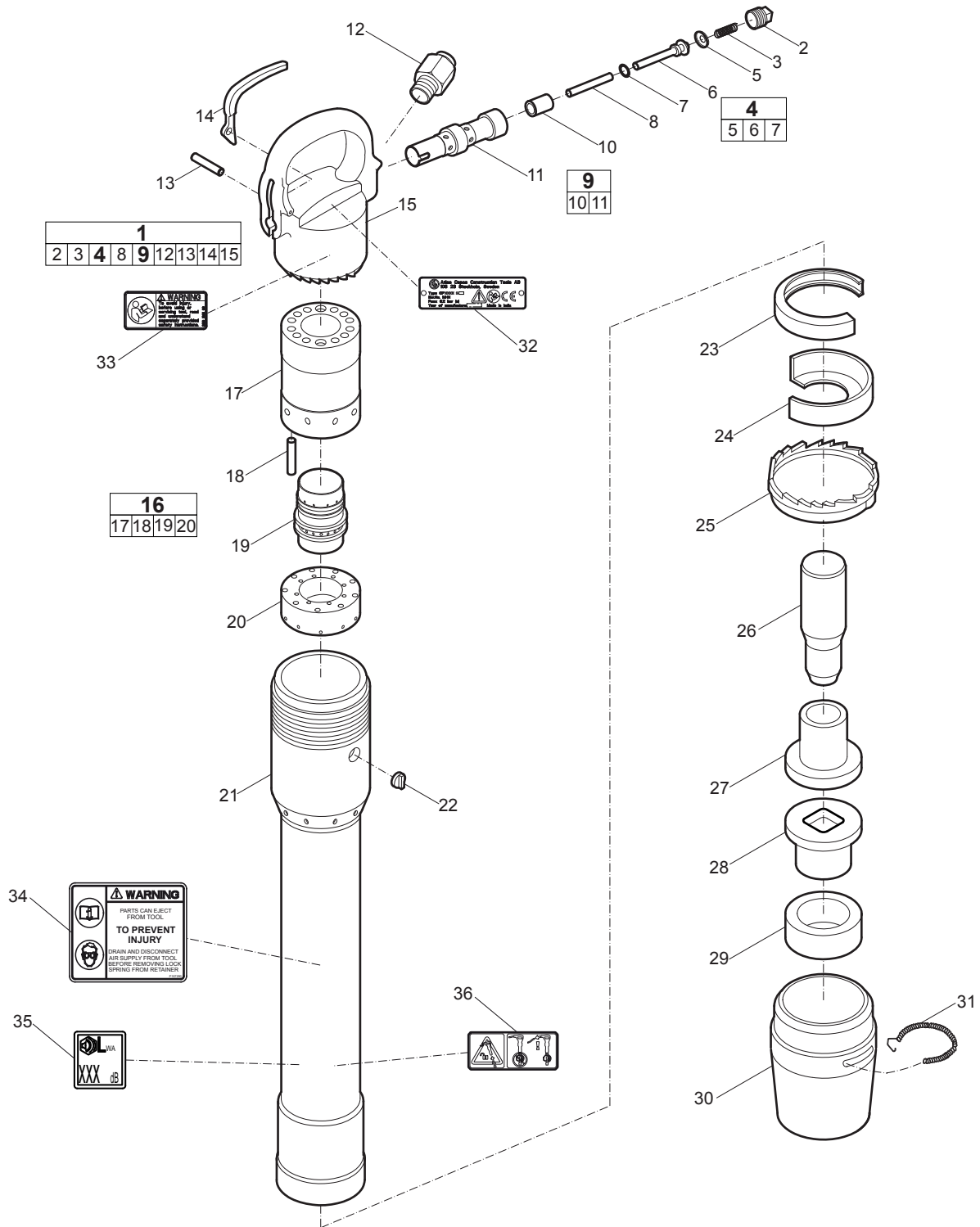
# CP 4611 P





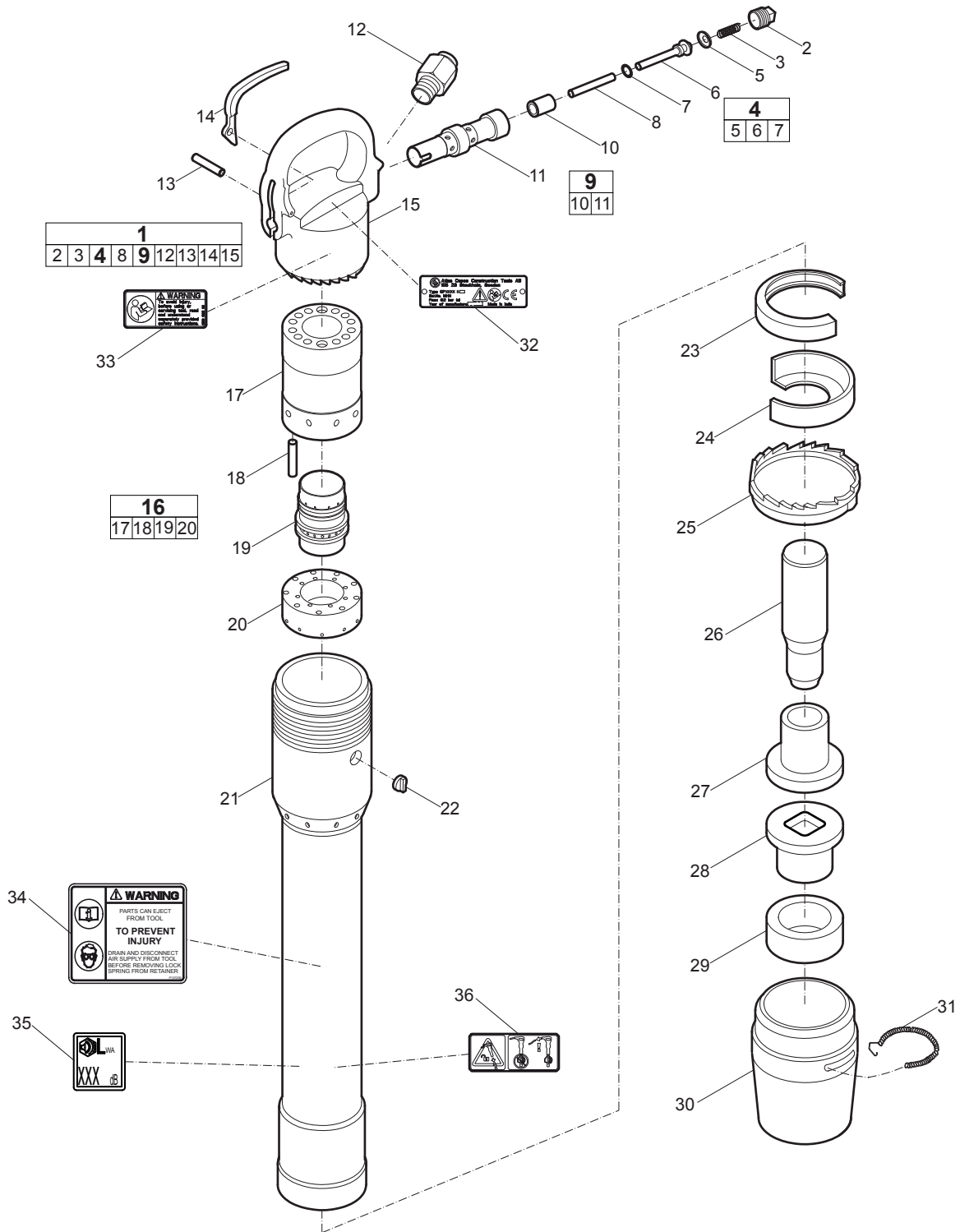
No.	Description	Remark	Quantity	Part number
<b>1(2-3,4,7,8,11-14)</b>	<b>Handle, complete</b>		1	P007164
2	Plug - Valve tube		1	P001873
3	Spring - Valve		1	P001853
<b>4(5-6)</b>	<b>Valve - Throttle, complete</b>		1	P001799
5	Valve - Throttle		1	-
6	O-ring		1	P083071
7	Pin - Push	Valve	1	P004834
<b>8(9-10)</b>	<b>Tube - Throttle, complete</b>		1	P007325
9	Bushing		1	P004839
10	Tube - Throttle		1	-
11	Bushing - Air inlet	½" NPTF (With strainer)	1	P001995
12	Pin - Lever		1	P001915
13	Lever - Throttle		1	P001982
14	Handle		1	-
<b>15(16-19)</b>	<b>Valve, complete</b>		1	P007385
16	Case - Valve		1	P006319
17	Dowel		1	3303 0050 86
18	Valve		1	P001538
19	Lid - Valve case		1	P006320
20	Cylinder		1	-
21	Key - Lock collar		1	P001430
22	Clip - Spring	Lock collar	1	P001355
23	Deflector - Exhaust		1	P001389
24	Collar - Lock		1	P001399
25	Piston	11" Stroke	1	3303 0050 93
26	Sleeve - Upper		1	P156988
27	Sleeve - Lower		1	P072333
28	Bumper		1	3303 0051 03
29	Sleeve - Retainer		1	P071849
30	Spring - Lock		1	P073942
31	Data plate		1	-
32	Safety label		1	3310 1602 00
33	Warning label		1	P157290
34	Noise level label		1	-
35	Eject warning label		1	3310 1572 00

# CP 4608 D



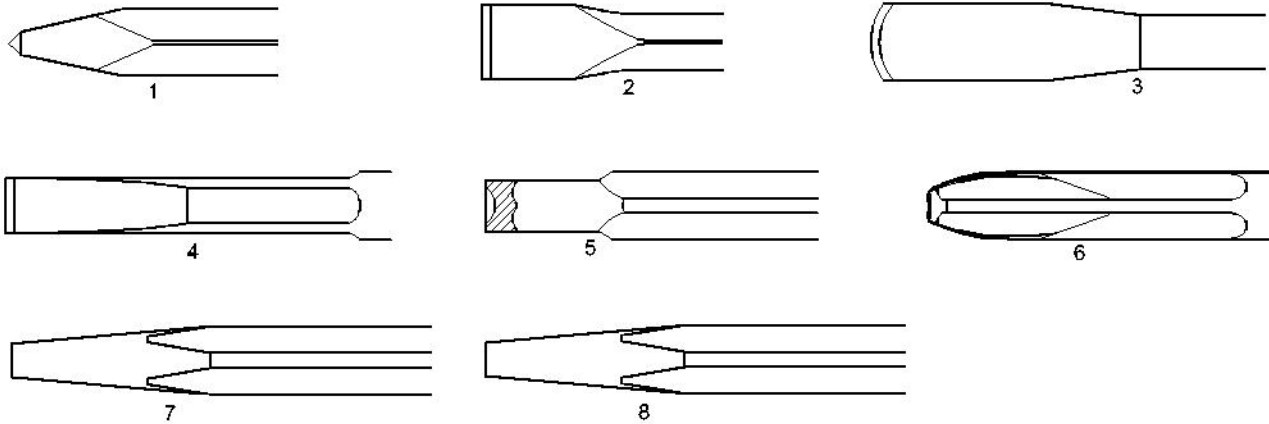
No.	Description	Remark	Quantity	Part number
<b>1(2-3,4,8,9,12-15)</b>	<b>Handle, complete</b>		1	P007399
2	Plug - Valve tube		1	P001884
3	Spring - Valve		1	P001864
<b>4(5-7)</b>	<b>Valve - Throttle, complete</b>		1	P005153
5	Cap - O-ring		1	P092091
6	Valve - Throttle		1	-
7	Throttle valve O-ring		1	CA088867
8	Pin - Push	Valve	1	P006138
<b>9(10-11)</b>	<b>Tube - Throttle, complete</b>		1	P007846
10	Bushing		1	-
11	Tube Throttle		1	-
12	Bushing air inlet	½" NPTF (With strainer)	1	P001995
13	Pin - Lever		1	P005171
14	Lever - Throttle		1	P006137
15	Handle		1	-
<b>16(17-20)</b>	<b>Valve, complete</b>		1	P007385
17	Case - Valve		1	P006319
18	Dowel		1	3303 0050 86
19	Valve		1	P001538
20	Lid - Valve case		1	P006320
21	Cylinder		1	-
22	Key - Lock collar		1	P001430
23	Clip - Spring	Lock collar	1	P001355
24	Deflector - Exhaust		1	P001389
25	Collar - Lock		1	P001399
26	Piston	8" Stroke	1	3303 0050 94
27	Sleeve - Upper		1	P156988
28	Sleeve - Lower		1	P072333
29	Bumper		1	3303 0051 03
30	Sleeve - Retainer		1	P071849
31	Spring - Lock		1	P073942
32	Data plate		1	-
33	Safety label		1	3310 1602 00
34	Warning label		1	P157290
35	Noise level label		1	-
36	Eject warning label		1	3310 1572 00

# CP 4611 D

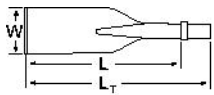


No.	Description	Remark	Quantity	Part number
<b>1(2-3,4,8,9,12-15)</b>	<b>Handle, complete</b>		1	P007399
2	Plug - Valve tube		1	P001884
3	Spring - Valve		1	P001864
<b>4(5-7)</b>	<b>Valve - Throttle, complete</b>		1	P005153
5	Cap - O-ring		1	P092091
6	Valve - Throttle		1	-
7	Throttle valve O-ring		1	CA088867
8	Pin - Push	Valve	1	P006138
<b>9(10-11)</b>	<b>Tube - Throttle, complete</b>		1	P007846
10	Bushing		1	-
11	Tube Throttle		1	-
12	Bushing air inlet	½" NPTF (With strainer)	1	P001995
13	Pin - Lever		1	P005171
14	Lever - Throttle		1	P006137
15	Handle		1	-
<b>16(17-20)</b>	<b>Valve, complete</b>		1	P007385
17	Case - Valve		1	P006319
18	Dowel		1	3303 0050 86
19	Valve		1	P001538
20	Lid - Valve case		1	P006320
21	Cylinder		1	-
22	Key - Lock collar		1	P001430
23	Clip - Spring	Lock collar	1	P001355
24	Deflector - Exhaust		1	P001389
25	Collar - Lock		1	P001399
26	Piston	11" Stroke	1	3303 0050 93
27	Sleeve - Upper		1	P156988
28	Sleeve - Lower		1	P072333
29	Bumper		1	3303 0051 03
30	Sleeve - Retainer		1	P071849
31	Spring - Lock		1	P073942
32	Data plate		1	-
33	Safety label		1	3310 1602 00
34	Warning label		1	P157290
35	Noise level label		1	-
36	Eject warning label		1	3310 1572 00

## Working tools

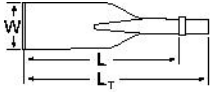


## Buster



No.	Description	W (in.)	L (in.)	L <sub>T</sub> (in.)	Wt (lb)	Part number
1	Moil point	-	5 $\frac{3}{4}$	10	2	3083 4140 00
		-	7 $\frac{3}{4}$	12	2.4	3083 4140 10
		-	13	18	3-7	3083 4140 20
2	Narrow chisel	-	5 $\frac{3}{4}$	10	2	3083 4141 00
		-	7 $\frac{3}{4}$	12	2.4	3083 4141 10
		-	13	18	3.7	3083 4141 20
3	Loose rivet buster	-	5 $\frac{3}{4}$	10	2	3083 4142 00
		-	7 $\frac{3}{4}$	12	2.4	3083 4142 10
		-	13	18	3.7	3083 4146 20
4	Tight rivet buster	-	5 $\frac{3}{4}$	10	2	3083 4145 00
		-	7 $\frac{3}{4}$	12	2.4	3083 4145 10
		-	13	18	3.7	3083 4145 20
5	Driftpin driver	Ø $\frac{7}{8}$	3	7 $\frac{1}{2}$	1.3	3083 4143 00
6	Chisel ripper	-	4 $\frac{3}{4}$	9	2.0	3083 4144 00
7	Backout punch - Standard	$\frac{1}{2}$	1	9 $\frac{1}{2}$	1.8	3083 4147 00
		$\frac{5}{8}$	1	9 $\frac{1}{2}$	1.8	3083 4147 10
		$\frac{3}{4}$	1	9 $\frac{1}{2}$	1.8	3083 4147 20
		$\frac{7}{8}$	1	9 $\frac{1}{2}$	2	3083 4147 40
		1	1	9 $\frac{1}{2}$	2.2	3083 4147 60
8	Backout punch - Long clearance	$\frac{5}{8}$	4	10	1.5	3083 4148 10
		$\frac{5}{8}$	6	12	1.5	3083 4148 20
		$\frac{3}{4}$	4	10	1.8	3083 4148 40
		$\frac{3}{4}$	6	12	2	3083 4148 50
		$\frac{7}{8}$	4	10	2	3083 4148 70
		$\frac{7}{8}$	6	12	2.2	3083 4148 80

# Buster



No.	Description	W (mm)	L (mm)	L <sub>T</sub> (mm)	Wt (kg)	Part number
1	Moil point	-	145	255	0.9	3083 4140 00
		-	195	305	1.1	3083 4140 10
		-	340	450	1.7	3083 4140 20
2	Narrow chisel	-	145	255	0.9	3083 4141 00
		-	195	305	1.1	3083 4141 10
		-	340	450	1.7	3083 4141 20
3	Loose rivet buster	-	145	255	0.9	3083 4142 00
		-	195	305	1.1	3083 4142 10
		-	340	450	1.7	3083 4146 20
4	Tight rivet buster	-	145	255	0.9	3083 4145 00
		-	195	305	1.1	3083 4145 10
		-	340	450	1.7	3083 4145 20
5	Driftpin driver	Ø22	80	190	0.6	3083 4143 00
6	Chisel ripper	-	120	230	0.9	3083 4144 00
7	Backout punch - Standard	13	25	240	0.8	3083 4147 00
		16	25	240	0.8	3083 4147 10
		19	25	240	0.8	3083 4147 20
		22	25	240	0.9	3083 4147 40
		25	25	240	1.0	3083 4147 60
8	Backout punch - Long clearance	16	102	255	0.7	3083 4148 10
		16	152	305	0.7	3083 4148 20
		19	102	255	0.8	3083 4148 40
		19	152	305	0.9	3083 4148 50
		22	102	255	0.9	3083 4148 70
		22	152	305	1.0	3083 4148 80

## Accessories

### Hose rolls

#### Metric

Description	Inner diameter (mm)	Thickness (mm)	Maximum working pressure (bar)	Length of roll (m)	Weight (kg)	Part number
Red-X hose roll	19	2.0	20	60	11	8900 0050 10
Red-X hose roll	19	2.0	20	100	18	8900 0050 11
Red-X hose roll	19	2.0	20	200	36	8900 0050 12
Red-X hose roll	25	2.5	20	60	15	8900 0050 20
Red-X hose roll	25	2.5	20	100	25	8900 0050 21
Red-X hose roll	25	2.5	20	200	50	8900 0050 22

#### Imperial

Description	Inner diameter (in.)	Thickness (in.)	Maximum working pressure (psi)	Length of roll (ft)	Weight (lb)	Part number
Red-X hose roll	$\frac{3}{4}$	$\frac{5}{64}$	290	195	24.3	8900 0050 10
Red-X hose roll	$\frac{3}{4}$	$\frac{5}{64}$	290	325	39.7	8900 0050 11
Red-X hose roll	$\frac{3}{4}$	$\frac{5}{64}$	290	650	79.4	8900 0050 12
Red-X hose roll	1	$\frac{3}{32}$	290	195	33.1	8900 0050 20
Red-X hose roll	1	$\frac{3}{32}$	290	325	55.1	8900 0050 21
Red-X hose roll	1	$\frac{3}{32}$	290	650	110.2	8900 0050 22

### Pre-mounted universal hoses with claw couplings

#### Metric

Description	Inner diameter (mm)	Thickness (mm)	Maximum working pressure (bar)	Length of roll (m)	Weight (kg)	Part number
Red-X universal hose	19	2.0	20	20	4.5	8900 0050 09
Red-X universal hose	25	2.5	20	20	6.0	8900 0050 23

#### Imperial

Description	Inner diameter (in.)	Thickness (in.)	Maximum working pressure (psi)	Length of roll (ft)	Weight (lb)	Part number
Red-X universal hose	$\frac{3}{4}$	$\frac{5}{64}$	290	50	8.8	8900 0050 08
Red-X universal hose	1	$\frac{3}{32}$	290	50	11.0	8900 0050 24



## Water separator

### Metric

Description	Hose connection (mm)	Air flow (l/s)	Weight (kg)	Part number
Water separator (3/4" BSP)	20	61	0.8	8900 0050 00

### Imperial

Description	Hose connection (in.)	Air flow (foot <sup>3</sup> /min)	Weight (lb)	Part number
Water separator (3/4" NPT)	3/4	130	1.8	8900 0050 01

## Lubricator

### Metric

Description	Hose connection (mm)	Air flow (l/s)	Oil volume (l)	Weight (kg)	Part number
Lubricator 1300 (1" BSP)	25	15-140	1.3	3	8900 0050 02

### Imperial

Description	Hose connection (in.)	Air flow (foot <sup>3</sup> /min)	Oil volume (US gallon)	Weight (lb)	Part number
Lubricator 43 (1" NPT)	1	32-300	0.34	6.6	8900 0050 07

## CP Airolene Plus Tool Oil

### Metric

Description	Oil volume (l)	Part number
5 l container	5	8099 0202 49
4 x 5 l container	20	8099 0202 51

### Imperial

Description	Oil volume (US gallon)	Part number
1.32 US gallon container	1.32	8099 0202 49
4 x 1.32 US gallon container	5.28	8099 0202 51







**2010-03 | No. 9800 0826 93**

© Copyright Atlas Copco Construction Tools AB | STOCKHOLM • SWEDEN