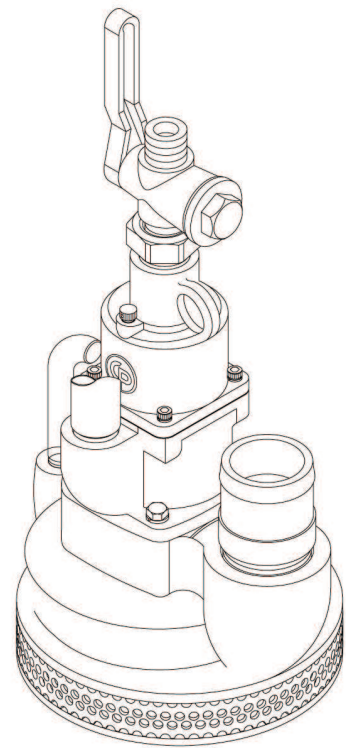




**Chicago  
Pneumatic**

# **Spare parts list**

## **Centrifugal pumps CP 0010**





# Contents

- General information** ..... 5
- Spare parts list** ..... 6
- Accessories** ..... 9
  - Hose rolls ..... 9
  - Pre-mounted universal hoses with claw couplings ..... 9
  - Water separator ..... 10
  - Lubricator ..... 10



## General information

This spare parts list applies to the following:

Part number	Description
T022224	CP 0010 Centrifugal pump

Use only authorized parts. Any damage or malfunction caused by the use of unauthorized parts is not covered by Warranty or Product Liability. Any unauthorized use or copying of the contents or any part thereof is prohibited. This applies in particular to trademarks, model denominations, part numbers, and drawings.

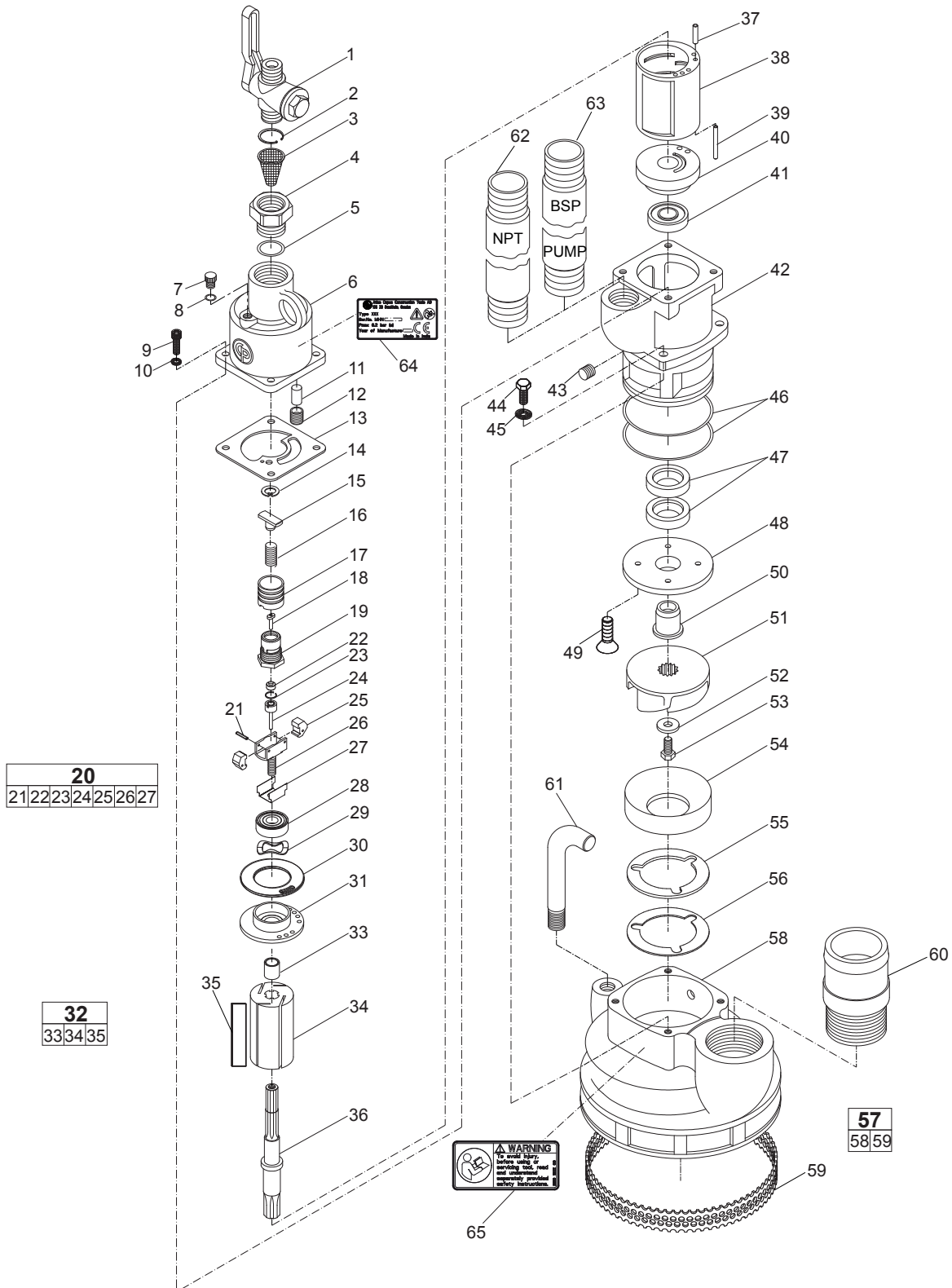
### Instructions for use

This spare parts list contains no safety regulations and is merely intended to assist in the ordering of spare parts.

For information about operating, servicing, or repairing, the relevant Safety and operating instructions must be consulted at all costs.

Please observe the safety instructions listed in the relevant Safety and operating instructions!

# Spare parts list



No.	Description	Remark	Quantity	Part number
1	Valve	¾ in. male 19 mm male	1	R137313
2	Ring - Retainer		1	C090746
3	Filter - Screen		1	C078057
4	Air inlet bushing		1	C113782
5	O-ring		1	C046471
6	Housing - Governor		1	C113799
7	Plug-Oil		1	C085233
8	O-ring		1	A082777
9	Screw - Cap (Allen)	¼ - 20 x ¾	4	C064806
10	Lock washer	¼ in. 6.5 mm	4	C012058
11	Wick		1	C113787
12	Plug - Orifice		1	C113789
13	Gasket - Housing		1	C113791
14	Ring - Retainer		1	S087190
15	Retainer - Spring		1	C113780
16	Spring - Compression		1	C113779
17	Valve - Governor		1	C090935
18	Pin- Governor valve		1	C084364
19	Cage - Governor		1	C113798
<b>20(21-27)</b>	<b>Governor body, complete</b>		1	Z8769462
21	Pin - Governor weight		2	-
22	Button - Push pin		1	-
23	Ring - Retaining		1	-
24	Pin - Governor push		1	-
25	Weight - Governor		2	-
26	Body - Governor		1	-
27	Retainer - Pin		1	-
28	Bearing - Ball		1	S014490
29	Washer - Tension		1	C089794
30	Shim - Motor		2	C113786
31	End plate - Upper		1	C089790
<b>32(33-35)</b>	<b>Rotor, complete</b>		1	Z8770462
33	Sleeve - Rotor		1	C089779
34	Body - Rotor		1	-
35	Blade - Rotor		4	C092050
36	Shaft - Rotor		1	C113797
37	Pin - Roll	0.156 x ¼ in. 3.96 x 14.29 mm	1	P056138
38	Liner - Motor		1	C092047
39	Pin - Roll	0.156 x 1 in. 3.96 x 25 mm	1	C088617
40	Plate - Lower end		1	C113795
41	Bearing ball		1	S039951
42	Housing - Motor		1	-
43	Plug - Pipe	⅛ in. 3 mm	1	C035390
44	Screw cap		4	P070423
45	Lock washer		4	C011005
46	O-ring		2	CA087468

No.	Description	Remark	Quantity	Part number
47	Seal - Shaft		2	C113792
48	Plate - Wear	Upper	1	C113783
49	Screw - Flat head		4	C113793
50	Sleeve - Impeller		1	C113790
51	Impeller - Pump		1	F814673
52	Spacer - Retaining		1	C113785
53	Bolt	Hexagon $\frac{5}{16}$ - 18 x $\frac{5}{8}$ in.	1	C113788
54	Plate - Wear	Lower	1	F814672
55	Shim - Wear plate	0.005 in. 0.127 mm	1	C115755
56	Shim - Wear plate	0.003 in. 0.08 mm	1	F814688
<b>57(58-59)</b>	<b>Impeller housing, complete</b>		1	C113802
58	Housing - Pump		1	-
59	Screen - Pump		1	C113794
60	Nipple - Outlet		1	R137579
61	Handle - Pump		1	C085347
62	Pipe - Exhaust	1" NPT - 1" BSP	1	R137578
63	Pipe - Exhaust	1" NPT - 1" NPT	1	S038723
64	Data plate		1	-
65	Safety label		1	3310 1602 00



## Accessories

### Hose rolls

#### Metric

Description	Inner diameter (mm)	Thickness (mm)	Maximum working pressure (bar)	Length of roll (m)	Weight (kg)	Part number
Red-X hose roll	19	2.0	20	60	11	8900 0050 10
Red-X hose roll	19	2.0	20	100	18	8900 0050 11
Red-X hose roll	19	2.0	20	200	36	8900 0050 12
Red-X hose roll	25	2.5	20	60	15	8900 0050 20
Red-X hose roll	25	2.5	20	100	25	8900 0050 21
Red-X hose roll	25	2.5	20	200	50	8900 0050 22

#### Imperial

Description	Inner diameter (in.)	Thickness (in.)	Maximum working pressure (psi)	Length of roll (ft)	Weight (lb)	Part number
Red-X hose roll	$\frac{3}{4}$	$\frac{5}{64}$	290	195	24.3	8900 0050 10
Red-X hose roll	$\frac{3}{4}$	$\frac{5}{64}$	290	325	39.7	8900 0050 11
Red-X hose roll	$\frac{3}{4}$	$\frac{5}{64}$	290	650	79.4	8900 0050 12
Red-X hose roll	1	$\frac{3}{32}$	290	195	33.1	8900 0050 20
Red-X hose roll	1	$\frac{3}{32}$	290	325	55.1	8900 0050 21
Red-X hose roll	1	$\frac{3}{32}$	290	650	110.2	8900 0050 22

### Pre-mounted universal hoses with claw couplings

#### Metric

Description	Inner diameter (mm)	Thickness (mm)	Maximum working pressure (bar)	Length of roll (m)	Weight (kg)	Part number
Red-X universal hose	19	2.0	20	20	4.5	8900 0050 09
Red-X universal hose	25	2.5	20	20	6.0	8900 0050 23

#### Imperial

Description	Inner diameter (in.)	Thickness (in.)	Maximum working pressure (psi)	Length of roll (ft)	Weight (lb)	Part number
Red-X universal hose	$\frac{3}{4}$	$\frac{5}{64}$	290	50	8.8	8900 0050 08
Red-X universal hose	1	$\frac{3}{32}$	290	50	11.0	8900 0050 24

## Water separator

---

### Metric

Description	Hose connection (mm)	Air flow (l/s)	Weight (kg)	Part number
Water separator (¾ in. BSP)	20	61	0.8	8900 0050 00

### Imperial

Description	Hose connection (in.)	Air flow (foot <sup>3</sup> /min)	Weight (lb)	Part number
Water separator (¾ in. NPT)	¾	130	1.8	8900 0050 01

## Lubricator

---

### Metric

Description	Hose connection (mm)	Air flow (l/s)	Oil volume (l)	Weight (kg)	Part number
Lubricator 1300 (1 in. BSP)	25	15-140	1.3	3	8900 0050 02

### Imperial

Description	Hose connection (in.)	Air flow (foot <sup>3</sup> /min)	Oil volume (US gallon)	Weight (lb)	Part number
Lubricator 43 (1 in. NPT)	1	32-300	0.34	6.6	8900 0050 07





**2010-10 | No. 9800 0525 01a**

© Copyright Atlas Copco Construction Tools AB | STOCKHOLM • SWEDEN