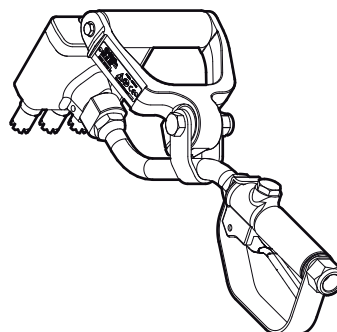


Safety and operating instructions

Pneumatic scabbler

CP 0006, CP 0006 SVR, CP 0066

- (FR)** Prescriptions de sécurité et instructions pour l'opérateur
Marteau lattoir pneumatique
- (DE)** Sicherheits- und Betriebsanleitung
Pneumatischer Aufräuer
- (ES)** Instrucciones de seguridad y de funcionamiento
Desbarbador
- (PT)** Instruções de segurança e operação
Escarificador Pneumático
- (IT)** Istruzioni per la sicurezza e per l'uso
Scrostatore pneumatico
- (NL)** Veiligheidsvoorschriften en bedieningshandleiding
Pneumatische opruwer
- (GR)** Οδηγίες ασφάλειας και χειρισμού
Ευθυγραμιστής Αέρος
- (FI)** Turvallisuusohjeet ja käyttöohje
Betoni hakkuri
- (DK)** Sikkerhedsinstruktioner og betjeningsvejledning
Trykluft Scabbler
- (NO)** Sikkerhetsinstrukser og bruksanvisning
Luftdreven knusehammer
- (SE)** Säkerhetsinstruktion och instruktionsbok
Tryckluftdriven scabbler



Contents

ENGLISH	4
FRANÇAIS	18
DEUTSCH	36
ESPAÑOL	52
PORTUGUÊS	68
ITALIANO	84
NEDERLANDS	100
ΕΛΛΗΝΙΚΑ	118
SUOMI	136
DANSK	150
NORSK	164
SVENSKA	178

ENGLISH

Contents

Introduction 5

About the Safety and operating instructions 5

Safety instructions 6

 Safety signal words 6

 Personal precautions and qualifications 6

 Installation, precautions 6

 Operation, precautions 7

 Maintenance, precautions 10

 Storage, precautions 10

Overview 11

 Design and function 11

 Main parts 11

 Labels 11

Installation 12

 Hoses and connections 12

 Connecting a water separator 12

 Piston 12

Operation 13

 Start and stop 13

 Operating 13

 When taking a break 14

Maintenance 14

 Every day 14

 Periodic maintenance 14

 Assembly instructions 14

Troubleshooting 15

Storage 15

Disposal 15

Technical data 16

 Machine data 16

 Noise and vibration declaration statement 16

 Noise and vibration data 16

EC Declaration of Conformity 17

 EC Declaration of Conformity (EC Directive 2006/42/EC) 17

Introduction

Thank you for choosing Chicago Pneumatic-brand products. For over a century, the Chicago Pneumatic brand has represented performance and innovation in the pneumatic tool industry.

Today the brand is found around the world on a range of pneumatic and hydraulic tools that includes breakers, rock drills, chipping hammers, clay-diggers, picks and busters, scabblers, pumps and a whole lot more.

The Chicago Pneumatic-brand is associated with powerful and reliable products that are easy to maintain and that give good value for the money.

For more information please visit www.cp.com

Atlas Copco Construction Tools AB
105 23 Stockholm
Sweden

About the Safety and operating instructions

The aim of the instructions is to provide you with knowledge of how to use the pneumatic scabblers in an efficient, safe way. The instructions also give you advice and tell you how to perform regular maintenance on the pneumatic scabblers.

Before using the pneumatic scabblers for the first time you must read these instructions carefully and understand all of them.

Safety instructions

To reduce the risk of serious injury or death to yourself or others, read and understand the Safety and operating instruction before installing, operating, repairing, maintaining, or changing accessories on the machine.

Post this Safety and operating instruction at work locations, provide copies to employees, and make sure that everyone reads the Safety and operating instruction before operating or servicing the machine.

In addition, the operator or the operator's employer must assess the specific risks that may be present as a result of each use of the machine.

Safety signal words

The safety signal words Danger, Warning and Caution have the following meanings:

DANGER	Indicates a hazardous situation which, if not avoided, will result in death or serious injury.
WARNING	Indicates a hazardous situation which, if not avoided, could result in death or serious injury.
CAUTION	Indicates a hazardous situation which, if not avoided, could result in minor or moderate injury.

Personal precautions and qualifications

Only qualified and trained persons may operate or maintain the machine. They must be physically able to handle the bulk, weight, and power of the tool. Always use your common sense and good judgement.

Personal protective equipment

Always use approved protective equipment. Operators and all other persons in the working area must wear protective equipment, including at a minimum:

- > Protective helmet
- > Hearing protection
- > Impact resistant eye protection with side protection
- > Respiratory protection when appropriate
- > Protective gloves

- > Proper protective boots
- > Appropriate work overall or similar clothing (not loose-fitting) that covers your arms and legs.

Drugs, alcohol or medication

▲ **WARNING** Drugs, alcohol or medication

Drugs, alcohol or medication may impair your judgment and powers of concentration. Poor reactions and incorrect assessments can lead to severe accidents or death.

- ▶ Never use the machine when you are tired or under the influence of drugs, alcohol or medication.
- ▶ No person who is under the influence of drugs, alcohol or medication may operate the machine.

Installation, precautions

▲ **DANGER** Whipping air hose

A compressed air hose that comes loose can lash around and cause personal injury or death. To reduce this risk:

- ▶ Check that the compressed air hose and the connections are not damaged, replace if necessary.
- ▶ Check that all compressed air connections are properly attached.
- ▶ Never carry a pneumatic machine by the air hose.
- ▶ Never attempt to disconnect a compressed air hose that is pressurized. First switch off the compressed air at the compressor and then bleed the machine by activating the start and stop device.
- ▶ Never point a compressed air hose at yourself or anyone else. To avoid the risk of getting injured, never use compressed air to blow for example dust, dirt etc. from your clothes.
- ▶ Do not use quick disconnect couplings at tool inlet. Use hardened steel (or material with comparable shock resistance) threaded hose fittings.
- ▶ Whenever universal twist couplings (claw couplings) are used, we recommend that lock pins are installed and whipcheck safety cables are used to safeguard against possible hose to tool and hose to hose connection failure.

Operation, precautions

▲ DANGER Explosion hazard

If a piston comes into contact with explosives or explosive gases, an explosion could occur. During working with certain materials as well as use of certain materials in machine parts, sparks and ignition can occur. Explosions will lead to severe injuries or death.

- ▶ Never operate the machine in any explosive environment.
- ▶ Never use the machine near flammable materials, fumes or dust.
- ▶ Make sure that there are no undetected sources of gas or explosives.

▲ WARNING Unexpected movements

The piston is exposed to heavy strains when the machine is used. The piston may break due to fatigue after a certain amount of use. If the piston breaks or gets stuck, there may be sudden and unexpected movement that can cause injuries. Furthermore, losing your balance or slipping may cause injury.

- ▶ Make sure that you always keep a stable position and a balanced body weight.
- ▶ Always inspect the equipment prior to use. Never use the equipment if you suspect that it is damaged.
- ▶ Make sure that the handles are clean and free of grease and oil.
- ▶ Keep your hands and feet away from the piston.
- ▶ Always hold on to the machine with both hands.
- ▶ Never strike or abuse the equipment.
- ▶ Check regularly for wear on the piston, and check whether there are any signs of damage or visible cracks.
- ▶ Pay attention and look at what you are doing.

▲ WARNING Dust and fume hazard

Dusts and/or fumes generated or dispersed when using the machine may cause serious and permanent respiratory disease, illness, or other bodily injury (for example, silicosis or other irreversible lung disease that can be fatal, cancer, birth defects, and/or skin inflammation).

Some dusts and fumes created by drilling, breaking, hammering, sawing, grinding and other construction activities contain substances known to the State of California and other authorities to cause respiratory disease, cancer, birth defects, or other reproductive harm. Some examples of such substances are:

- > Crystalline silica, cement, and other masonry products.
- > Arsenic and chromium from chemically-treated rubber.
- > Lead from lead-based paints.

Dust and fumes in the air can be invisible to the naked eye, so do not rely on eye sight to determine if there is dust or fumes in the air.

To reduce the risk of exposure to dust and fumes, do all of the following:

- ▶ Perform site-specific risk assessment. The risk assessment should include dust and fumes created by the use of the machine and the potential for disturbing existing dust.
- ▶ Use proper engineering controls to minimize the amount of dust and fumes in the air and to minimize build-up on equipment, surfaces, clothing, and body parts. Examples of controls include: exhaust ventilation and dust collection systems, water sprays, and wet drilling. Control dusts and fumes at the source where possible. Make sure that controls are properly installed, maintained and correctly used.
- ▶ Wear, maintain and correctly use respiratory protection as instructed by your employer and as required by occupational health and safety regulations. The respiratory protection must be effective for the type of substance at issue (and if applicable, approved by relevant governmental authority).
- ▶ Work in a well ventilated area.
- ▶ If the machine has an exhaust, direct the exhaust so as to reduce disturbance of dust in a dust filled environment.
- ▶ Operate and maintain the machine as recommended in the operating and safety instructions

- ▶ Select, maintain and replace consumables/ inserted tools/ other accessory as recommended in the operating and safety instructions. Incorrect selection or lack of maintenance of consumables/ inserted tools/ other accessories may cause an unnecessary increase in dust or fumes.
- ▶ Wear washable or disposable protective clothes at the worksite, and shower and change into clean clothes before leaving the worksite to reduce exposure of dust and fumes to yourself, other persons, cars, homes, and other areas.
- ▶ Avoid eating, drinking, and using tobacco products in areas where there is dust or fumes.
- ▶ Wash your hands and face thoroughly as soon as possible upon leaving the exposure area, and always before eating, drinking, using tobacco products, or making contact with other persons.
- ▶ Comply with all applicable laws and regulations, including occupational health and safety regulations.
- ▶ Participate in air monitoring, medical examination programs, and health and safety training programs provided by your employer or trade organizations and in accordance with occupational health and safety regulations and recommendations. Consult with physicians experienced with relevant occupational medicine.
- ▶ Work with your employer and trade organization to reduce dust and fume exposure at the worksite and to reduce the risks. Effective health and safety programs, policies and procedures for protecting workers and others against harmful exposure to dust and fumes should be established and implemented based on advice from health and safety experts. Consult with experts.

▲ WARNING Projectiles

Failure of the work piece, of accessories, or even of the machine itself may generate high velocity projectiles. During operating, splinters or other particles from the working material may become projectiles and cause personal injury by striking the operator or other persons. To reduce these risk:

- ▶ Use approved personal protective equipment and safety helmet, including impact resistant eye protection with side protection.
- ▶ Make sure that no unauthorised persons trespass into the working zone.
- ▶ Keep the workplace free from foreign objects.
- ▶ Ensure that the work piece is securely fixed.

▲ WARNING Slipping, tripping and falling hazards

There is a risk of slipping or tripping or falling, for example tripping on the machine's hose or on other objects. Slipping or tripping or falling can cause injury. To reduce this risk:

- ▶ Always make sure that no hose or other object is in your way or in any other person's way.
- ▶ Always make sure you are in a stable position and keeping a balanced body weight.

▲ WARNING Motion hazards

When using the machine to perform work-related activities, you may experience discomfort in the hands, arms, shoulders, neck, or other parts of the body.

- ▶ Adopt a comfortable posture whilst maintaining secure footing and avoiding awkward off-balanced postures.
- ▶ Changing posture during extended tasks may help avoid discomfort and fatigue.
- ▶ In case of persistent or recurring symptoms, consult a qualified health professional.

▲ WARNING Vibration hazards

Normal and proper use of the machine exposes the operator to vibration. Regular and frequent exposure to vibration may cause, contribute to, or aggravate injury or disorders to the operator's fingers, hands, wrists, arms, shoulders and/or nerves and blood supply or other body parts, including debilitating and/or permanent injuries or disorders that may develop gradually over periods of weeks, months, or years. Such injuries or disorders may include damage to the blood circulatory system, damage to the nervous system, damage to joints, and possibly damage to other body structures.

If numbness, persistent recurring discomfort, burning sensation, stiffness, throbbing, tingling, pain, clumsiness, weakened grip, whitening of the skin, or other symptoms occur at any time, when operating the machine or when not operating the machine, do not resume operating the machine and seek medical attention. Continued use of the machine after the occurrence of any such symptom may increase the risk of symptoms becoming more severe and/or permanent.

Operate and maintain the machine as recommended in these instructions, to prevent an unnecessary increase in vibration.

The following may help to reduce exposure to vibration for the operator:

- ▶ Let the tool do the job. Use a minimum hand grip consistent with proper control and safe operation.
 - ▶ When the percussion mechanism is activated, the only body contact with the machine you should have are your hands on the handle or handles. Avoid any other contact, for example supporting any part of the body against the machine or leaning onto the machine trying to increase the feed force. It is also important not to keep the start and stop device engaged while extracting the tool from the work surface.
 - ▶ Using a worn out piston, will result in a longer time to complete a task, and may result in higher levels of vibration exposure. Make sure that the piston is well-maintained and not worn out. It is also important that a sharp piston is used in order to work efficiently.
 - ▶ Immediately stop working if the machine suddenly starts to vibrate strongly. Before resuming the work, find and remove the cause of the increased vibrations.
 - ▶ Never grab, hold, or touch the piston when using the machine.
- ▶ Participate in health surveillance or monitoring, medical exams and training programs offered by your employer and when required by law.
 - ▶ When working in cold conditions wear warm clothing and keep hands warm and dry.

See the "Noise and vibration declaration statement" for the machine, including the declared vibration values. This information can be found at the end of these safety and operation instructions.

- ◆ Comply with the recommended air-pressure when operating the machine. Either higher or lower air-pressure has the potential of resulting in higher levels of vibration.

▲ DANGER Electrical hazard

The machine is not electrically insulated. If the machine comes into contact with electricity, serious injuries or death may result.

- ▶ Never operate the machine near any electric wire or other source of electricity.
- ▶ Make sure that there are no concealed wires or other sources of electricity in the working area.

▲ WARNING Concealed object hazard

During operating, concealed wires and pipes constitute a danger that can result in serious injury.

- ▶ Check the composition of the material before operating.
- ▶ Watch out for concealed cables and pipes, for example electricity, telephone, water, gas, and sewage lines etc.
- ▶ If the piston seems to have hit a concealed object, switch off the machine immediately.
- ▶ Make sure that there is no danger before continuing.

▲ WARNING Involuntary start

Involuntary start of the machine may cause injury.

- ▶ Keep your hands away from the start and stop device until you are ready to start the machine.
- ▶ Learn how the machine is switched off in the event of an emergency.
- ▶ Release the start and stop device immediately in all cases of power supply interruption.
- ▶ Whenever servicing the machine switch off the air supply, bleed the machine by pressing the start and stop device and disconnect the machine from the power source.

▲ WARNING Noise hazard

High noise levels can cause permanent and disabling hearing loss and other problems such as tinnitus (ringing, buzzing, whistling or humming in the ears). To reduce risk and prevent an unnecessary increase in noise levels:

- ▶ Risk assessment of these hazards and implementation of appropriate controls is essential.
- ▶ Operate and maintain the machine as recommended in these instructions.
- ▶ Select, maintain and replace the insertion tool as recommended in these instructions.
- ▶ If the machine has a muffler, check that it is in place and in good working condition.
- ▶ Always use hearing protection.
- ▶ Use damping material to prevent work pieces from "ringing".

Maintenance, precautions

▲ WARNING Machine modification

Any machine modification may result in bodily injuries to yourself or others.

- ▶ Never modify the machine. Modified machines are not covered by warranty or product liability.
- ▶ Always use original parts, insertion tools, and accessories.
- ▶ Change damaged parts immediately.
- ▶ Replace worn components in good time.

▲ CAUTION Hot piston

The tip of the piston can become hot and sharp when used. Touching it can lead to burns and cuts.

- ▶ Never touch a hot or sharp piston.
- ▶ Wait until the piston has cooled down before carrying out maintenance work.

Storage, precautions

- ◆ Keep the machine and tools in a safe place, out of the reach of children and locked up.

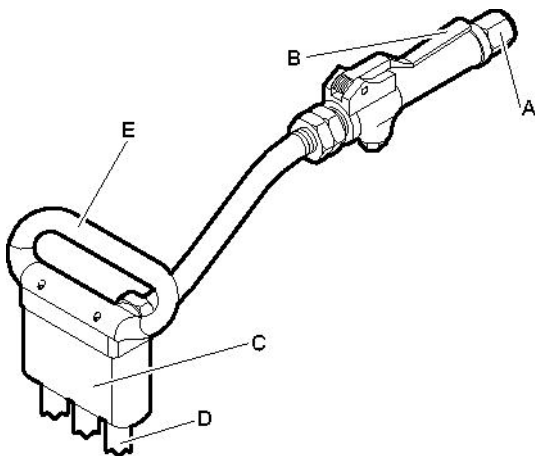
Overview

To reduce the risk of serious injury or death to yourself or others, read the Safety instructions section found on the previous pages of this manual before operating the machine.

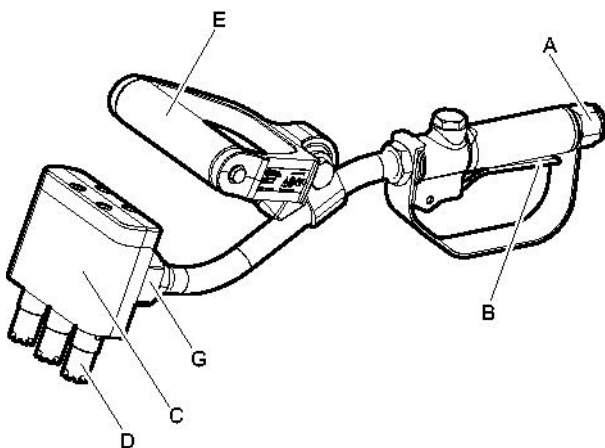
Design and function

CP 0006, CP 0006 SVR, and CP 0066 are machines designed for scaling, roughening, or removal of concrete. They can also be used for removal of rust on steel surfaces. The machine can be used both horizontally and vertically. No other use is permitted. To choose correct pistons, see the spare parts list.

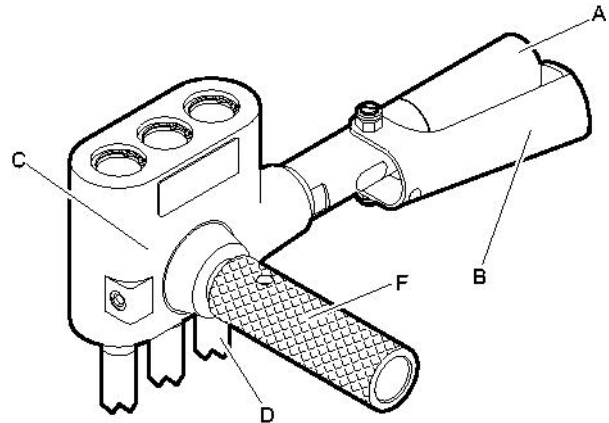
Main parts



CP 0006



CP 0006 SVR



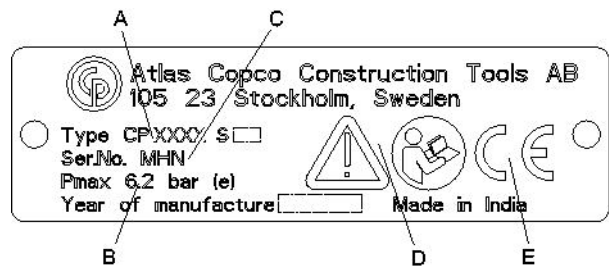
CP 0066

- A. Air inlet
- B. Start and stop device
- C. Cylinder
- D. Piston
- E. Front handle
- F. Side handle
- G. Swivel

Labels

The machine is fitted with labels containing important information about personal safety and machine maintenance. The labels shall be in such condition that they are easy to read. New labels can be ordered from the spare parts list.

Data plate



- A. Machine type
- B. Maximum permitted compressed air pressure
- C. Serial number

- D. The warning symbol together with the book symbol means that the user must read the safety and operating instructions before the machine is used for the first time.
- E. The CE symbol means that the machine is EC-approved. See the EC declaration which is delivered with the machine for more information. If the CE symbol is missing, it means that the machine is not EC-approved.

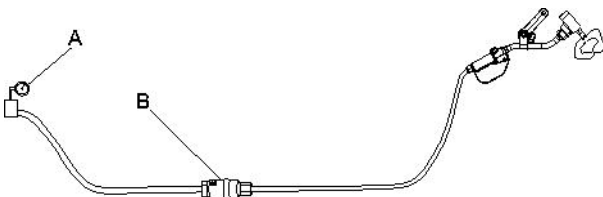
Safety label



To avoid injury, before using or servicing tool, read and understand separately provided safety instructions.

Installation

Hoses and connections



- A. Compressed air source
- B. Water separator (optional)
- ◆ Check that you are using the correct recommended operating pressure, 87 psig (6 bar (e)).
- ◆ The maximum permissible air pressure, 90 psig (6.2 bar (e)), must not be exceeded.
- ◆ Blow any impurities out of the compressed air hose before connecting it to the machine.
- ◆ Select the correct dimension and length for the compressed air hose. For hose lengths up to 100 feet (30 meters), a hose with a minimum internal diameter of 3/4" (19 mm) should be used. If the hose length is between 100 and 330 feet (30 and 100 meters), a hose with a minimum internal diameter of 1" (25 mm) should be used.

- ◆ Do not lubricate the piston. It can result in unintended stops of the machine.
- ◆ An option to make the operation of the machine easier, is to use a rubber hose with internal diameter of 3/8" (9.5 mm) and length of 10 feet (3 m), closest to the machine.

Connecting a water separator

The length of the air hose between the compressor and the water separator must be such that the water vapor is cooled and condenses in the hose before reaching the water separator.

If the ambient temperature is below 32 °F (0 °C) the hose must be short enough to prevent the water from freezing before reaching the water separator.

Piston

▲ CAUTION Hot piston

The tip of the piston can become hot and sharp when used. Touching it can lead to burns and cuts.

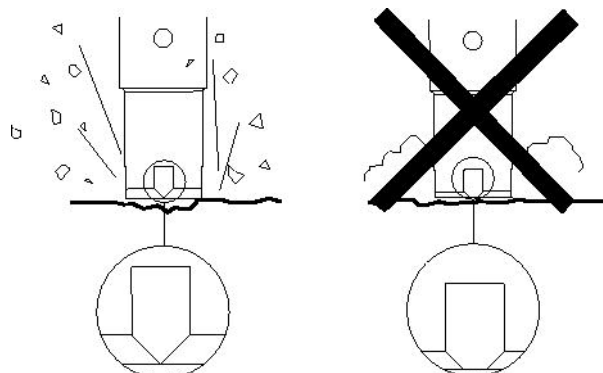
- ▶ Never touch a hot or sharp piston.
- ▶ Wait until the piston has cooled down before carrying out maintenance work.

NOTICE Never cool a hot piston in water, it can result in brittleness and early failure.

▲ WARNING Vibration hazard

Using a worn out piston, will result in a longer time to complete a task, and may result in higher levels of vibration exposure.

- ▶ Make sure that the piston is well-maintained and not worn out.
- ▶ Always use a sharp piston in order to work efficiently.



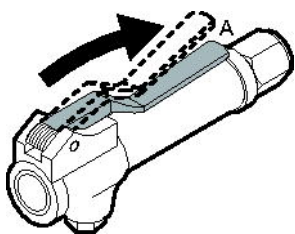
Operation

▲ WARNING Involuntary start

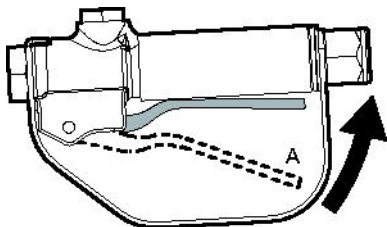
Involuntary start of the machine may cause injury.

- ▶ Keep your hands away from the start and stop device until you are ready to start the machine.
- ▶ Learn how the machine is switched off in the event of an emergency.
- ▶ Stop the machine immediately in all cases of power supply interruption.

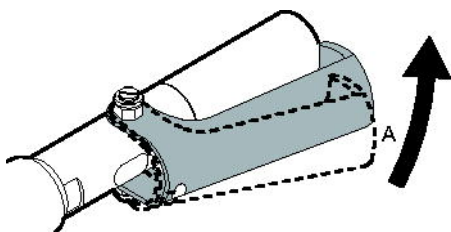
Start and stop



CP 0006

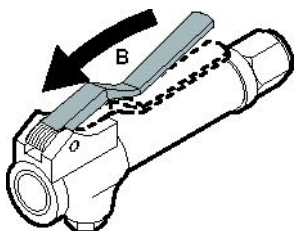


CP 0006 SVR

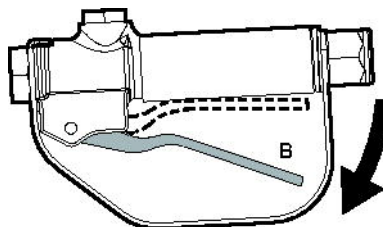


CP 0066

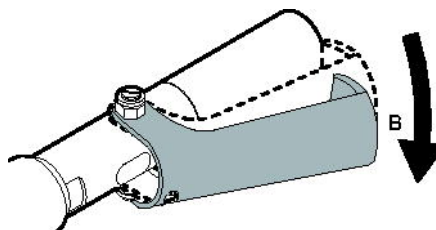
- ◆ Start the machine by squeezing the start and stop device (A) while firmly holding the handle.



CP 0006



CP 0006 SVR



CP 0066

- ◆ Stop the machine by releasing the start and stop device (B). The start and stop device returns automatically to the stop position.

Operating

Starting a cut

- ◆ Stand in a stable position, holding the scabblers with both your hands.
- ◆ Press the scabblers slightly against the working surface, before you start.

Working

- ◆ Let the machine do the work; do not press too hard.
- ◆ Any form of idling or operating with an uplifted machine must be avoided.
- ◆ When the machine is lifted, the start and stop device must not be activated.
- ◆ Check that the compressed air is clean, dry and free from lubrication.

When taking a break

- ◆ During all breaks you must place the machine in such a way that there is no risk for it to be unintentionally started. Make sure to place the machine on the ground, so that it can not fall.
- ◆ In the event of a longer break or when leaving the workplace: Switch off the power supply and then bleed the machine by activating the start and stop device.

Maintenance

Regular maintenance is a basic requirement for the continued safe and efficient use of the machine. Follow the maintenance instructions carefully.

- ◆ Before starting maintenance on the machine, clean it in order to avoid exposure to hazard substances. See “Dust and fume hazards”
- ◆ Use only authorised parts. Any damage or malfunction caused by the use of unauthorised parts is not covered by warranty or product liability.
- ◆ When cleaning mechanical parts with solvent, comply with appropriate health and safety regulations and ensure there is satisfactory ventilation.
- ◆ For major service to the machine, contact your nearest authorised workshop.
- ◆ After each service, check that the machine's vibration level is normal. If not, contact your nearest authorised workshop.

Every day

Before undertaking any maintenance or changing a piston on the scabbler, always switch off the air supply, bleed the machine by depressing the start and stop device, and disconnect the air hose from the machine.

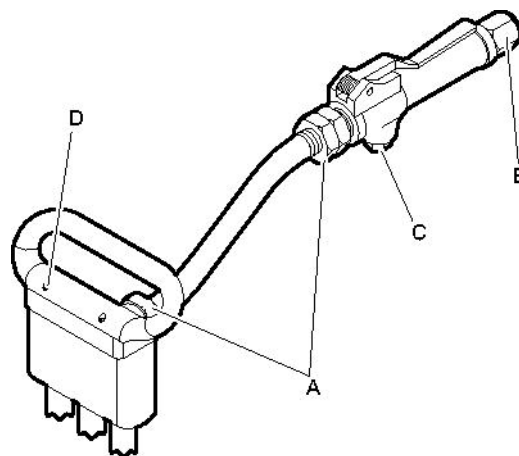
- ◆ Clean and inspect the machine and its functions each day before the work commences.
- ◆ Conduct a general inspection for leaks and damage.
- ◆ Check that the air inlet nipple is tightened and that the claw coupling is free from damage.

- ◆ If the machine has a vibration-reducing handle, check that it is moving freely (up and down) and does not jam.
- ◆ Check that the swivel is moving freely and does not jam.
- ◆ Check the condition of the rubber bushing.
- ◆ Change damaged parts immediately.
- ◆ Replace worn components in good time.
- ◆ Make sure that all the attached and related equipment, such as hoses and water separators, are properly maintained.

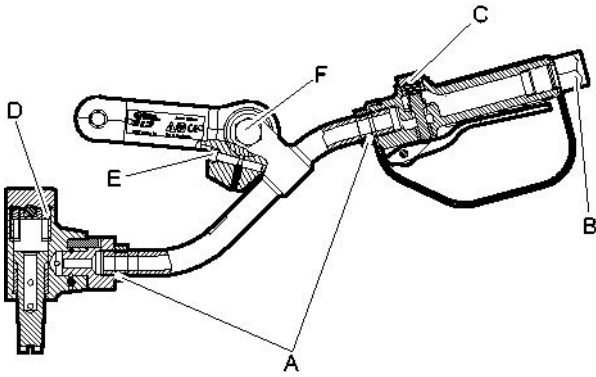
Periodic maintenance

After each operating period of approximately 100 impact hours or three times a year the machine must be dismantled and all parts be cleaned and checked. This work must be performed by authorized staff, trained for this task.

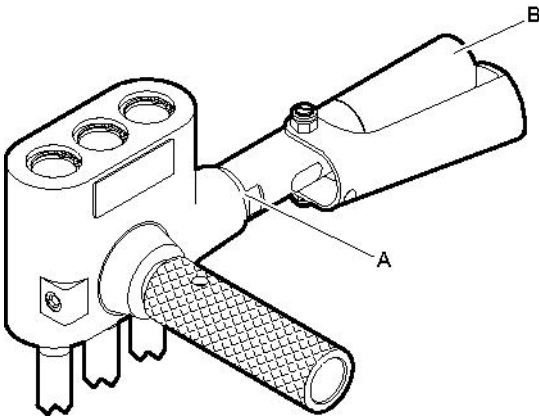
Assembly instructions



CP 0006



CP 0006 SVR



CP 0066

- A. Torque: 35-40 lbf.ft (47-54 Nm), use Loctite® 542™. (Loctite is a registered trademark of Henkel Corporation. 542 is a trademark of Henkel Corporation.)
- B. Torque: 50-60 lbf.ft (68-81 Nm), use Loctite® 542™.
- C. Torque: 60-70 lbf.ft (81-95 Nm), use Loctite® 542™.
- D. Torque: 15-16 lbf.ft (20-22 Nm), use Loctite® 242™. (Loctite is a registered trademark of Henkel Corporation. 242 is a trademark of Henkel Corporation.)
- E. Torque: 13 lbf.ft (17 Nm).
- F. Torque: 44-52 lbf.ft (60-70 Nm).

Troubleshooting

If the scabbler does not start, has low power or uneven performance, check the following points.

- ◆ Check that the piston and cylinder are clean and dry.
- ◆ Check that the compressed air system supplies the machine with sufficient air pressure to give full power.
- ◆ Check the dimension and length of the air hose are according to the recommendations. See “Installation”.
- ◆ If there is a risk of freezing, check that the machine's exhaust ports are not blocked.

If the machine function is still not satisfactory after this procedure, contact an authorised service workshop.

Storage

- > Clean the machine properly before storage, in order to avoid hazard substances. See “Dust and fume hazard”.
- > Always store the machine in a dry place.

Disposal

A used machine must be treated and disposed of in such a way that the greatest possible portion of the material can be recycled and any negative influence on the environment is kept as low as possible, and in respect to local restrictions.

Technical data

Machine data

Type	Weight lb (kg)	Length in. (mm)	Impact freq. Hz	Air consumption foot ³ /min (l/s)
CP 0006	10 (4.5)	16 ½ (411)	50	27 ½ (13)
CP 0006 SVR	15 (6.8)	20 (510)	51	27 ½ (13)
CP 0066	10 (4.5)	11 (280)	50	27 ½ (13)

Noise and vibration declaration statement

Guaranteed sound power level **L_w** according to ISO 3744 in accordance with directive 2000/14/EC.

Sound pressure level **L_p** according to ISO 11203.

Vibration value **A** and uncertainty **B** determined according to ISO 20643. See table "Noise and vibration data" for the values of A, B, etc.

These declared values were obtained by laboratory type testing in accordance with the stated directive or standards and are suitable for comparison with the declared values of other tools tested in accordance with the same directive or standards. These declared values are not suitable for use in risk assessments and values measured in individual work places may be higher. The actual exposure values and risk of harm experienced by an individual user are unique and depend upon the way the user works, in what material the machine is used, as well as upon the exposure time and the physical condition of the user, and the condition of the machine.

We, Atlas Copco Construction Tools AB, cannot be held liable for the consequences of using the declared values, instead of values reflecting the actual exposure, in an individual risk assessment in a work place situation over which we have no control.

This tool may cause hand-arm vibration syndrome if its use is not adequately managed. An EU guide to managing hand-arm vibration can be found at <http://www.humanvibration.com/EU/VIBGUIDE.htm>

We recommend a programme of health surveillance to detect early symptoms which may relate to vibration exposure, so that management procedures can be modified to help prevent future impairment.

Noise and vibration data

Type	Noise		Vibration	
	Declared values		Declared values	
	Sound pressure	Sound power	Three axes values	
	ISO 11203	2000/14/EC	ISO 20643	
	L_p r=1m dB(A) rel 20µPa	L_w guaranteed dB(A) rel 1pW	A m/s ² value	B m/s ² spreads
CP 0006	92	N/A	23.1	2.8
CP 0006 SVR	92	N/A	7.1	1.2
CP 0066	-	N/A	12.8	1.8

EC Declaration of Conformity

EC Declaration of Conformity (EC Directive 2006/42/EC)

We, Atlas Copco Construction Tools AB, hereby declare that the machines listed below conform to the provisions of EC Directive 2006/42/EC (Machinery Directive), and the harmonised standards mentioned below.

Handheld pneumatic scabblers	Pmax (bar)
CP 0006	6.2
CP 0006 SVR	6.2
CP 0066	6.2

Following harmonised standards were applied:

- ◆ ISO/FDIS 11148-4

Technical Documentation authorised representative:

Erik Sigfridsson
 Atlas Copco Construction Tools AB
 Dragonvägen 2
 Kalmar

General Manager:

Erik Sigfridsson

Manufacturer:

Atlas Copco Construction Tools AB
 105 23 Stockholm
 Sweden

Place and date:

Kalmar, 2010-01-01

FRANÇAIS

Sommaire

Introduction	19
À propos des Prescriptions de sécurité et instructions pour l'opérateur	19
Consignes de sécurité	20
Indications de sécurité.....	20
Précautions et qualifications du personnel.....	20
Installation, précautions.....	20
Fonctionnement, précautions.....	21
Maintenance, précautions.....	25
Stockage, précautions.....	25
Vue d'ensemble	26
Conception et fonctionnement.....	26
Pièces principales.....	26
Étiquettes.....	26
Pose	27
Flexibles et connexions.....	27
Branchement d'un séparateur d'eau.....	27
Piston.....	28
Utilisation	28
Marche/arrêt.....	28
Utilisation.....	29
Lors des pauses.....	29
Maintenance	29
Chaque jour.....	29
Maintenance périodique.....	30
Instructions de montage.....	30
Recherche de pannes	30
Stockage	31
Destruction d'une machine usagée	31
Données techniques	32
Caractéristiques de la machine.....	32
Énoncé déclaratif sur les vibrations et le bruit.....	32
Données relatives au bruit et aux vibrations.....	33
Déclaration CE de conformité	34
Déclaration CE de conformité (Directive 2006/42/CE).....	34

Introduction

Nous vous remercions d'avoir choisi un produit Chicago Pneumatic. Depuis plus d'un siècle, la marque Chicago Pneumatic est synonyme de performance et d'innovation dans le secteur des outils pneumatiques.

Aujourd'hui, la société offre une vaste gamme d'outils pneumatiques et hydrauliques comprenant brise-béton, trépan, marteaux burineurs, marteaux-bêches, pioches et défricheuses, bouchardeuses, pompes et bien d'autres outils.

La marque Chicago Pneumatic est associée avec des produits puissants et fiables, faciles à entretenir et ayant un bon rapport qualité-prix.

Pour plus d'informations, veuillez consulter le site Web www.cp.com

Atlas Copco Construction Tools AB
S-105 23 Stockholm
Suède

À propos des Prescriptions de sécurité et instructions pour l'opérateur

Le but des instructions est de vous apprendre à utiliser la bouchardeuse pneumatique d'une manière efficace et en toute sécurité. Les instructions vous donnent également des conseils et vous indiquent comment effectuer la maintenance de routine de la bouchardeuse pneumatique.

Vous devez lire ces instructions attentivement et les comprendre avant d'utiliser la bouchardeuse pneumatique pour la première fois.

Consignes de sécurité

Il convient de lire et d'assimiler les Prescriptions de sécurité et des instructions pour l'opérateur avant toute installation, utilisation, réparation, entretien ou remplacement d'accessoire sur la machine, afin de minimiser le risque de blessures graves ou de dommages pouvant entraîner la mort.

Affichez les Prescriptions de sécurité et instructions pour l'opérateur sur les différents sites de travail ; faites en des copies pour les employés et assurez-vous que chaque personne concernée a bien lu les Prescriptions de sécurité et instructions pour l'opérateur, avant d'utiliser ou d'intervenir sur la machine.

En outre, l'opérateur ou l'employeur doit évaluer les risques spécifiques pouvant survenir à la suite de chaque utilisation de la machine.

Indications de sécurité

Les indications de sécurité Danger, Attention et Prudence ont les sens suivants :

DANGER

Indique une situation dangereuse qui, si elle n'est pas évitée, terminera par provoquer la mort ou des blessures graves.

ATTENTION

Indique une situation dangereuse qui, si elle n'est pas évitée, est susceptible de provoquer la mort ou des blessures graves.

PRUDENCE

Indique une situation dangereuse qui, si elle n'est pas évitée, est susceptible de provoquer des blessures mineures à modérées.

Précautions et qualifications du personnel

Seules des personnes qualifiées ou formées peuvent utiliser ou procéder à l'entretien de la machine. Elles doivent être physiquement aptes à manipuler le volume, le poids et la puissance de l'outil. Utilisez toujours votre jugement et votre bon sens.

Équipement de protection du personnel

Utilisez toujours un équipement de protection individuelle homologué. Les opérateurs et toutes autres personnes séjournant sur la zone de travail doivent porter un équipement de protection individuelle, incluant au minimum :

- > Casque de protection
- > Protections auditives
- > Protecteurs des yeux résistants aux chocs avec protection latérale
- > Appareil de protection respiratoire, le cas échéant
- > Gants de protection
- > Bottes de protection adaptées
- > Salopette de travail appropriée ou vêtement similaire (serré) qui recouvre les bras et les jambes.

Drogues, alcool ou médicaments

▲ AVERTISSEMENT Drogues, alcool ou médicaments

Les drogues, l'alcool ou les médicaments risquent d'avoir un effet négatif sur votre jugement et votre capacité de concentration. De mauvaises réactions et des évaluations incorrectes peuvent entraîner des accidents graves, voire la mort.

- ▶ N'utilisez jamais la machine lorsque vous êtes fatigué(e) ou sous l'influence de drogues, de l'alcool ou de médicaments.
- ▶ L'utilisation de la machine par une personne sous l'influence de drogues, de l'alcool ou de médicaments est strictement interdite.

Installation, précautions

▲ DANGER Coup de fouet d'un flexible pneumatique

Un flexible d'air comprimé qui se détache risque de fouetter dans tous les sens et de provoquer des dommages corporels ou la mort. Pour réduire ce risque :

- ▶ Vérifiez que le flexible d'air comprimé et les raccords ne sont pas endommagés. Les remplacer si nécessaire.
- ▶ Vérifiez que les raccords d'air comprimé sont correctement fixés.
- ▶ Ne jamais porter une machine pneumatique par le flexible d'air.

- ▶ Ne jamais essayer de débrancher un flexible d'air comprimé sous pression. D'abord, coupez l'alimentation en air comprimé au niveau du compresseur, puis purgez la machine en activant le dispositif de marche/arrêt.
- ▶ Ne jamais pointer un flexible d'air comprimé sur quelqu'un ou sur soi. Afin d'éviter tout risque de blessure, ne jamais utiliser l'air comprimé pour nettoyer la poussière, les salissures, etc., sur vos vêtements.
- ▶ N'utilisez pas de raccords rapides à l'entrée de l'outil. Utilisez des raccords filetés en acier trempé (ou un matériau présentant une résistance aux chocs comparable).
- ▶ Chaque fois que des raccords universels (raccords à griffes) sont utilisés, nous recommandons de monter des goupilles de verrouillage et d'utiliser des câbles de sécurité pour tuyaux flexibles, afin d'empêcher tout relâchement d'un accouplement flexible - outil et tuyau - tuyau.

Fonctionnement, précautions

▲ DANGER Danger d'explosion

Si un piston entre en contact avec un explosif ou avec des gaz explosifs, cela pourrait provoquer une explosion. Lors de travaux sur certains matériaux et lors d'utilisation de certains matériaux dans les pièces de la machine, des étincelles susceptibles d'enflammer des gaz peuvent provoquer des explosions. Les explosions peuvent provoquer des dommages corporels voire la mort.

- ▶ Ne jamais utiliser la machine dans un environnement explosif quelconque.
- ▶ N'utilisez jamais cette machine près de poussières, d'émanations ou de matériaux inflammables.
- ▶ Assurez-vous qu'il n'y a aucune source de gaz non identifiée ni explosifs dans les environs.

▲ AVERTISSEMENT Mouvements inopinés

Le piston est soumis à des efforts importants lors de l'utilisation de la machine. Le piston peut se rompre à cause de la fatigue après un certain temps d'utilisation. En cas de rupture ou de blocage du piston, des mouvements soudains et imprévus peuvent se produire et entraîner des blessures. En outre, les pertes d'équilibre ou les glissades peuvent provoquer des blessures.

- ▶ Assurez-vous de toujours adopter une position stable et votre poids bien réparti sur les deux jambes.
- ▶ Vérifiez toujours l'équipement avant de l'utiliser. Évitez d'utiliser l'équipement s'il vous semble endommagé.
- ▶ Assurez-vous que les poignées sont toujours bien propres, sans graisse ni huile.
- ▶ Gardez les mains et les pieds éloignés de l'outil de travail.
- ▶ Tenez toujours la machine à deux mains.
- ▶ Ne maltraitez jamais l'équipement.
- ▶ Examinez régulièrement l'usure du piston et contrôlez la présence éventuelle de signes de détérioration ou de fissures visibles.
- ▶ Soyez vigilant et concentrez-vous sur ce que vous faites.

▲ AVERTISSEMENT Dangers liés aux poussières et aux fumées

Les poussières et/ou de fumées générées ou dispersées lors de l'utilisation de la machine peuvent causer des maladies respiratoires graves et permanentes, ou autre lésion corporelle (par exemple, la silicose ou autre maladie pulmonaire irréversible qui peut être mortelle, cancer, malformations congénitales et/ou inflammation de la peau).

Certaines poussières et fumées créées lors de foration, casse, martelage, sciage, meulage et autres activités de construction, contiennent des substances connues dans l'État de Californie et par d'autres autorités pour provoquer des maladies respiratoires, le cancer, des malformations congénitales ou autres problèmes de reproduction. Quelques exemples de ces substances sont :

- > Silice cristalline, ciment et autres produits de maçonnerie.
- > Arsenic et chrome provenant de caoutchouc traité chimiquement.
- > Plomb provenant de peintures à base de plomb.

Les poussières et fumées dans l'air peuvent être invisibles à l'œil nu. Par conséquent, ne comptez pas sur la vue oculaire pour déterminer s'il y a des poussières ou des fumées dans l'air.

Pour réduire les risques d'exposition aux poussières et fumées, effectuez tout ce qui suit :

- ▶ Effectuez une évaluation des risques spécifiques au site. L'évaluation des risques devra inclure les poussières et les vapeurs créées par l'utilisation de la machine et les poussières susceptibles d'incommoder le voisinage.
- ▶ Utilisez la sécurité intégrée appropriée pour minimiser la quantité de poussières et de fumées dans l'air et leur accumulation sur les équipements, les surfaces, les vêtements et les parties du corps. Exemples de mesures applicables : systèmes de ventilation aspirante et de captage des poussières, pulvérisation d'eau et forage humide. Contrôlez si possible les poussières et les fumées à la source. Assurez-vous que les commandes sont correctement installées, entretenues et utilisées.
- ▶ Portez, entretenez et utilisez de manière correcte la protection respiratoire comme indiqué par votre employeur, en respectant les normes de sécurité et de santé au travail. La protection respiratoire doit être efficace pour le type de substance en cause (et le cas échéant, approuvée par l'autorité gouvernementale pertinente).

- ▶ Travailler dans une zone bien ventilée.
- ▶ Si la machine dispose d'un système d'échappement, dirigez ce dernier de manière à réduire les mouvements de poussière dans un environnement chargé en poussières.
- ▶ Exploiter et entretenir la machine comme cela est recommandé dans les Prescriptions de sécurité et instructions pour l'opérateur.
- ▶ Sélectionner, entretenir et remplacer les consommables / les outils d'insertion / et autres accessoires comme cela est recommandé dans les Prescriptions de sécurité et instructions pour l'opérateur. Le choix incorrect ou le défaut d'entretien de consommables / outils d'insertion / et autres accessoires peut provoquer une augmentation inutile des poussières ou fumées.
- ▶ Sur le lieu de travail, portez des vêtements de protection lavables ou jetables. Avant de quitter le lieu de travail, douchez-vous et changez de vêtements, pour réduire votre exposition aux poussières et fumées et celle des autres, des voitures, des maisons et des autres zones.
- ▶ Évitez de manger, boire ou fumer hors dans les zones exposées aux poussières ou aux fumées.
- ▶ Lavez-vous les mains et le visage dès que possible avant de quitter la zone exposée, et toujours avant de manger, boire ou fumer, ou d'entrer en contact avec d'autres personnes.
- ▶ Respectez toutes les lois et règlements applicables, y compris les normes de sécurité et de santé au travail.
- ▶ Participez à la surveillance de l'air, aux programmes d'examen médical, et aux programmes de formation à la santé et à la sécurité proposés par votre employeur ou les organisations professionnelles, et conformément aux normes et recommandations de sécurité et de santé au travail. Consultez un médecin spécialiste en médecine du travail.
- ▶ Coopérez avec votre employeur et l'organisation professionnelle pour réduire l'exposition aux poussières et fumées sur le chantier, ainsi que les risques. Des programmes de santé et de sécurité efficaces, des politiques et des procédures visant à protéger les salariés et autres personnes contre l'exposition à des poussières et des fumées nocives devront être établis et mis en œuvre sur les conseils d'experts en santé et sécurité. Consultez ces experts.

▲ AVERTISSEMENT Projectiles

Une pièce, des accessoires, ou même l'outil qui se détache peuvent se transformer en projectiles à grande vitesse. En cours de fonctionnement, des éclats de roche ou d'autres particules du matériau de travail peuvent se transformer en projectiles et provoquer des blessures en frappant l'opérateur ou d'autres personnes. Pour réduire ces risques :

- ▶ Utilisez des équipements de protection personnelle et un casque de sécurité approuvés, y compris une protection oculaire résistante avec protection latérale.
- ▶ Assurez-vous qu'aucune personne non autorisée ne pénètre dans la zone de travail.
- ▶ Maintenir le lieu de travail propre et exempt de corps étrangers.
- ▶ Assurez-vous que la pièce à travailler est correctement fixée.

▲ AVERTISSEMENT Risques de glissades, de trébuchements et de chute

Il existe des risques de glissades, de trébuchements et de chute, par exemple sur des flexibles de la machine ou d'autres objets. Une glissade, un trébuchement ou une chute peut provoquer des blessures. Pour réduire ce risque :

- ▶ Toujours s'assurer qu'aucun flexible ou autre objet ne risque, d'une manière ou d'une autre, de gêner le passage d'une personne.
- ▶ Assurez-vous de toujours adopter une position stable et votre poids bien réparti sur les deux jambes.

▲ AVERTISSEMENT Risques liés aux mouvements

Lorsque vous utilisez la machine pour effectuer des travaux, vous pouvez ressentir de l'inconfort dans les mains, les bras, les épaules, le cou, ou d'autres parties du corps.

- ▶ Adoptez une position confortable tout en maintenant une base sûre et évitez les postures inconfortables en déséquilibre.
- ▶ Changer de posture durant les longues sessions de travail peut contribuer à éviter l'inconfort et la fatigue.
- ▶ En cas de symptômes persistants ou récurrents, consultez un professionnel de la santé qualifié.

▲ AVERTISSEMENT Dangers liés aux vibrations

L'utilisation normale et adéquate de la machine expose l'opérateur à des vibrations. L'exposition régulière et fréquente aux vibrations peut causer, contribuer à, ou aggraver les blessures ou les troubles au niveau des doigts, des mains, des poignets, des bras, des épaules et/ou des nerfs et de la circulation sanguine et/ou d'autres parties du corps de l'opérateur, y compris les blessures ou les troubles qui peuvent se développer graduellement sur des semaines, des mois, ou des années. De telles blessures ou troubles peuvent inclure des dommages au niveau du système de circulation sanguine, du système nerveux, des articulations et éventuellement au niveau d'autres parties du corps.

En cas d'apparition, à un moment quelconque, d'engourdissement, de malaises récurrents persistants, de sensation de brûlure, de raideur, de douleur lancinante, de fourmillement, de douleur, de maladresse, d'affaiblissement du poignet, de blanchissement de la peau ou d'autres symptômes lors de l'utilisation de la machine ou en dehors de celle-ci, cessez toute utilisation de la machine et consultez un médecin. Le fait de continuer à utiliser la machine après l'apparition de tels symptômes risque de les aggraver et/ou de les rendre permanents.

Utilisez et entretenez la machine conformément aux instructions, afin d'éviter toute augmentation inutile des vibrations.

Les mesures suivantes peuvent contribuer à réduire l'exposition de l'opérateur aux vibrations :

- ▶ Laissez l'outil faire le travail. Utilisez une poignée manuelle réduite permettant un contrôle approprié et une utilisation en toute sécurité.
- ▶ Lorsque le mécanisme de percussion est activé, le seul contact entre votre corps et la machine doit être celui de vos mains sur la/les poignée(s). Évitez tout autre contact, notamment d'appuyer une partie quelconque du corps contre la machine ou de vous pencher sur cette dernière pour essayer d'en augmenter la capacité d'avance. Il est également important de ne pas maintenir le dispositif de marche/arrêt actionné lorsque vous retirez l'outil de la surface de travail.
- ▶ L'utilisation d'un piston usagé entraînera des délais d'accomplissement des tâches plus longs, et parfois aussi des niveaux de vibrations plus élevés. Assurez-vous que le piston est affûté et en bon état. Il est par ailleurs important d'utiliser un piston tranchant pour pouvoir travailler de manière efficace.

- ▶ Arrêtez immédiatement de travailler si la machine commence soudainement à vibrer fortement. Avant de recommencer à travailler, identifiez la cause de l'augmentation des vibrations et remédiez-y.
- ▶ Évitez d'attraper, de tenir et de toucher le piston lorsque la machine est en marche.
- ▶ Participez à la surveillance médicale, aux examens médicaux et aux programmes de formation offerts par votre employeur ou imposés par la loi.
- ▶ Lorsque vous travaillez dans des conditions de froid, portez des vêtements chauds et gardez les mains au chaud et au sec.

Voir « Énoncé déclaratif sur les vibrations et le bruit » pour la machine, y compris les valeurs des vibrations déclarées. Ces informations figurent à la fin des « Prescriptions de sécurité et instructions pour l'opérateur ».

- ◆ Respectez la pression d'air recommandée lorsque vous utilisez la machine. Une pression d'air plus élevée ou plus faible peut entraîner des niveaux de vibrations plus élevés.

⚠ DANGER Dangers électriques

La machine n'est pas isolée électriquement. Tout contact de la machine avec de l'électricité risque de provoquer des blessures graves ou la mort.

- ▶ N'utilisez jamais la machine près d'un câble électrique ou d'une autre source d'électricité.
- ▶ Assurez-vous de l'absence de câbles cachés ou d'autres sources d'électricité dans la zone de travail.

⚠ AVERTISSEMENT Dangers liés aux objets cachés

En cours de fonctionnement, les tuyaux et câbles cachés constituent une source potentielle de blessures graves.

- ▶ Vérifiez la composition du matériau avant toute utilisation.
- ▶ Faites attention aux câbles et aux tuyaux dissimulés, par exemple pour l'électricité, le téléphone, l'eau, le gaz et les canalisations d'égout, etc.
- ▶ Si vous pensez avoir touché un objet occulté avec l'outil, arrêtez immédiatement la machine.
- ▶ Assurez-vous de toute absence de danger avant de continuer.

⚠ AVERTISSEMENT Démarrage accidentel

Le démarrage accidentel de la machine peut provoquer des blessures.

- ▶ Gardez les mains bien éloignées du dispositif de marche/arrêt jusqu'au moment de commencer à démarrer la machine.
- ▶ Apprenez à éteindre la machine en cas d'urgence.
- ▶ Relâchez immédiatement le dispositif de marche/arrêt en cas de coupure d'énergie quelconque.
- ▶ Avant d'entreprendre une tâche de maintenance sur la machine, purgez la machine en appuyant sur le dispositif de marche/arrêt et débranchez l'alimentation électrique.

⚠ AVERTISSEMENT Danger lié au bruit

Des niveaux de bruit élevés peuvent provoquer une perte d'audition permanente et d'autres problèmes tels que l'acouphène (sonnerie, grondement, sifflement ou bourdonnement dans les oreilles). Afin de réduire les risques et d'éviter une augmentation inutile des niveaux de bruit :

- ▶ L'évaluation des risques de ces dangers et de mise en œuvre de mesures de contrôle appropriées est essentielle.
- ▶ Exploiter et entretenir la machine comme cela est recommandé dans ces instructions.
- ▶ Sélectionner, entretenir et remplacer l'outil d'insertion comme cela est recommandé dans ces instructions.
- ▶ Si la machine dispose d'un silencieux, il faut vérifier qu'il est en place et en bon état de fonctionnement.
- ▶ Toujours utiliser des protections auditives.
- ▶ Utilisez un matériau amortissant afin d'éviter que les pièces « résonnent ».

Maintenance, précautions

▲ AVERTISSEMENT Modifications sur la machine

Toute modification sur la machine peut provoquer des blessures physiques à vous-même ou aux autres.

- ▶ Ne jamais modifier la machine. Toute machine modifiée n'est pas couverte par la garantie ou la responsabilité produits.
- ▶ Utilisez toujours des pièces, des outils d'insertion et des accessoires d'origine.
- ▶ Remplacez immédiatement les pièces endommagées.
- ▶ Remplacez les éléments ou pièces usés sans attendre.

▲ ATTENTION Piston chaud

L'extrémité du piston devient chaude et affûtée à l'usage. Vous risquez de vous brûler et de vous couper si vous le touchez.

- ▶ Ne touchez jamais un piston brûlant ou affûté.
- ▶ Attendez que le piston ait refroidi avant d'effectuer des tâches de maintenance.

Stockage, précautions

- ◆ Conservez la machine et les outils bien verrouillés, dans un endroit sûr, hors de la portée des enfants.

Vue d'ensemble

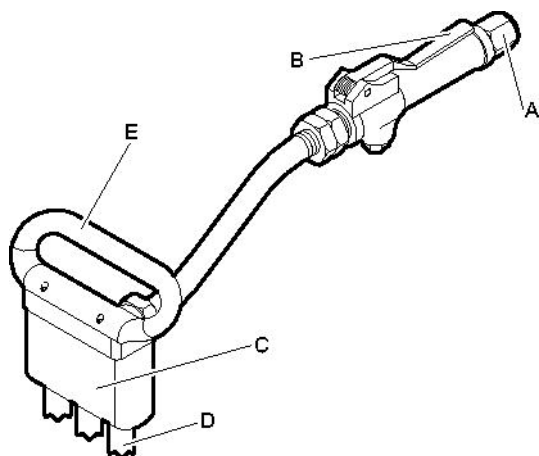
Il convient de lire attentivement la section des consignes de sécurité figurant sur les pages précédentes du présent document avant toute utilisation de la machine, afin de minimiser le risque de blessures graves ou de dommages pouvant entraîner la mort.

Conception et fonctionnement

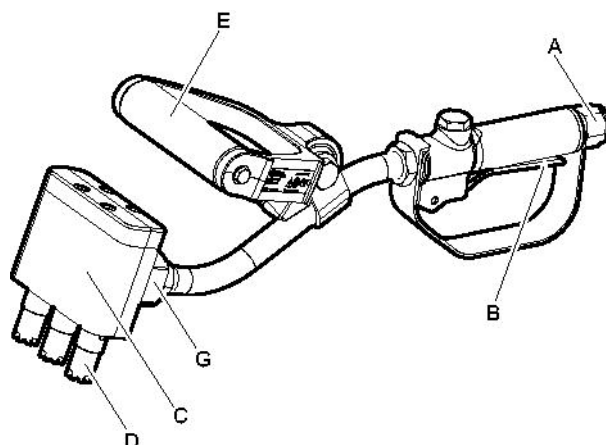
Les CP 0006, CP 0006 SVR et CP 0066 sont des machines conçues pour le martelage, le bouchardage et le retrait de béton. Elles peuvent aussi être utilisées pour le décapage de la rouille sur les surfaces en acier. Cette machine peut être utilisée horizontalement et verticalement. Toute autre utilisation est interdite.

Pour choisir le piston correct, référez-vous à la liste des pièces détachées.

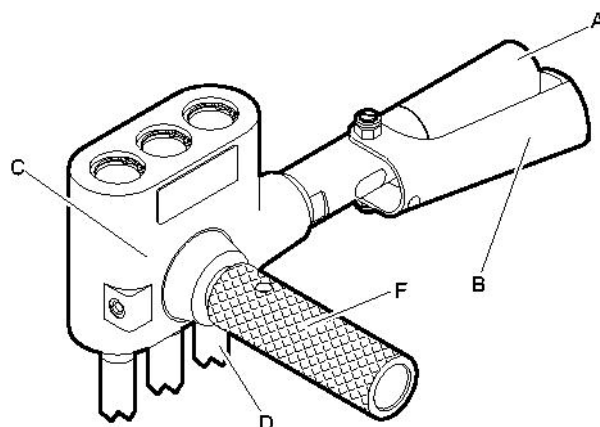
Pièces principales



CP 0006



CP 0006 SVR



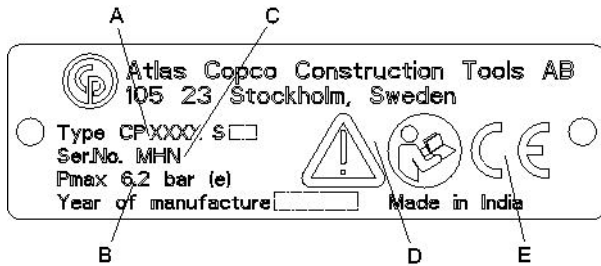
CP 0066

- A. Entrée d'air
- B. Dispositif de marche/arrêt
- C. Cylindre
- D. Piston
- E. Poignée avant
- F. Poignée latérale
- G. Semelle orientable

Étiquettes

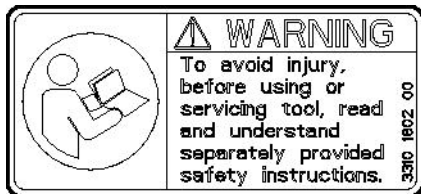
La machine comporte des étiquettes contenant des informations importantes pour la sécurité des personnes et l'entretien de la machine. Les étiquettes doivent être faciles à lire. De nouvelles étiquettes peuvent être commandées en utilisant la liste des pièces détachées.

Plaque signalétique



- A. Type de machine
- B. Pression d'air comprimé maximale autorisée
- C. Numéro de série
- D. Le symbole « Attention » accompagné du symbole du livre signifie que l'utilisateur doit lire les « Prescriptions de sécurité et instructions pour l'opérateur » avant la première utilisation de la machine.
- E. Le symbole CE indique la conformité de la machine avec les directives applicables. Pour plus d'informations, consultez la déclaration CE de conformité fournie avec la machine. L'absence du symbole CE indique que la machine n'est pas conforme aux directives applicables.

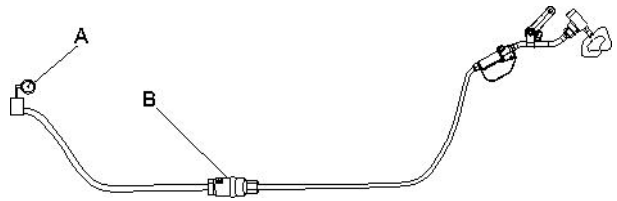
Étiquette de sécurité



Lire et comprendre les consignes de sécurité fournies séparément avant d'utiliser l'outil ou d'effectuer son entretien, afin d'éviter tout risque de blessures.

Pose

Flexibles et connexions



- A. Source d'air comprimé
- B. Séparateur d'eau (en option)
 - ♦ Vérifiez que vous utilisez la bonne pression de fonctionnement recommandée, 87 psig (6 bar (e)).
 - ♦ Ne dépassez pas la pression d'air maximale autorisée pour la machine - 90 psig (6,2 bar (e)).
 - ♦ Éliminez toute impureté du flexible d'air comprimé avant de le brancher à la machine.
 - ♦ Sélectionnez un flexible d'air comprimé possédant une dimension et une longueur correctes. Pour les longueurs de flexible allant jusqu'à 100 feet (30 mètres), il faut utiliser un flexible de diamètre intérieur minimal de $\frac{3}{4}$ " (19 mm). Si la longueur de flexible est de 100 à 330 feet (30 à 100 mètres), il faut utiliser un flexible de diamètre intérieur minimal de 1" (25 mm).
 - ♦ Ne graissez pas le piston. Il peut s'ensuivre un arrêt intempestif de la machine.
 - ♦ Le fonctionnement de la machine peut être rendu plus facile en utilisant un flexible en caoutchouc d'un diamètre intérieur de $\frac{3}{8}$ " (9.5 mm) et d'une longueur de 10 feet (3 m), le plus près de la machine.

Branchement d'un séparateur d'eau

Utilisez un flexible suffisamment long entre le compresseur et le séparateur d'eau pour assurer le refroidissement et la condensation de la vapeur d'eau dans le flexible avant d'atteindre le séparateur d'eau.

Si la température ambiante est inférieure à 32°F (0°C), le flexible ne doit pas être très long afin que l'eau n'y gèle pas avant d'atteindre le séparateur d'eau.

Piston

⚠ ATTENTION Piston chaud

L'extrémité du piston devient chaude et affûtée à l'usage. Vous risquez de vous brûler et de vous couper si vous le touchez.

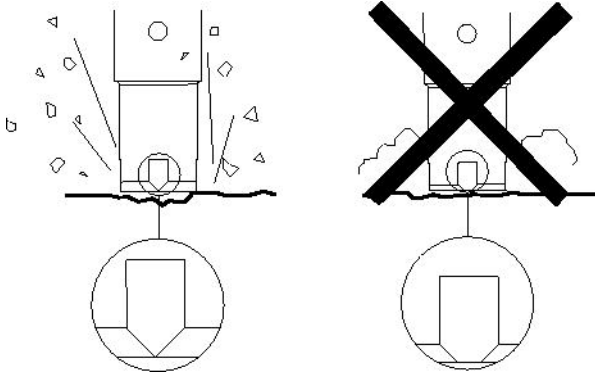
- ▶ Ne touchez jamais un piston brûlant ou affûté.
- ▶ Attendez que le piston ait refroidi avant d'effectuer des tâches de maintenance.

AVIS Ne jamais refroidir un piston chaud dans l'eau. Ceci peut fragiliser la pièce et entraîner sa rupture prématurée.

⚠ AVERTISSEMENT Danger lié aux vibrations

L'utilisation d'un piston usagé entraînera des délais d'accomplissement des tâches plus longs, et parfois aussi des niveaux de vibrations plus élevés.

- ▶ Assurez-vous que le piston est affûté et en bon état.
- ▶ Utilisez toujours un piston tranchant pour pouvoir travailler de manière efficace.



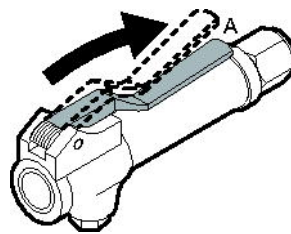
Utilisation

⚠ AVERTISSEMENT Démarrage accidentel

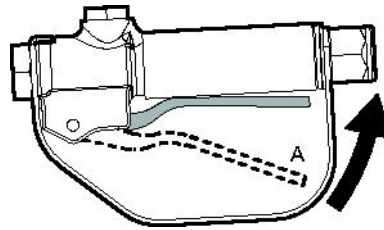
Le démarrage accidentel de la machine peut provoquer des blessures.

- ▶ Gardez les mains bien éloignées du dispositif de marche/arrêt jusqu'au moment de démarrer la machine.
- ▶ Apprenez à éteindre la machine en cas d'urgence.
- ▶ Arrêtez immédiatement la machine en cas de coupure d'énergie quelconque.

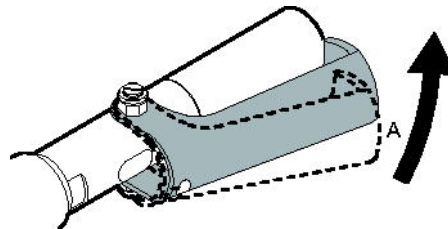
Marche/arrêt



CP 0006

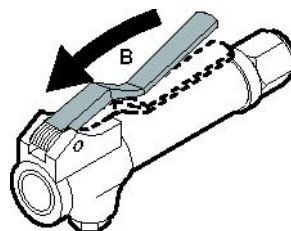


CP 0006 SVR

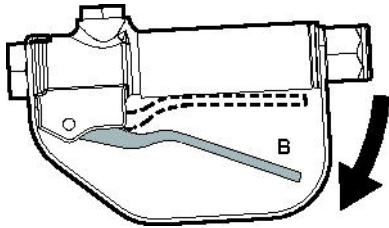


CP 0066

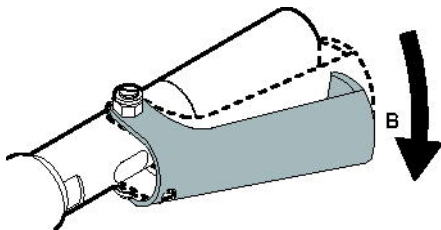
- ◆ Démarrez la machine en appuyant sur la manette (A) tout en tenant fermement la poignée.



CP 0006



CP 0006 SVR



CP 0066

- ◆ Arrêtez la machine en relâchant la manette (B). La manette retourne automatiquement en position d'arrêt.

Utilisation

Démarrage d'une coupe

- ◆ Adoptez une position stable, en tenant la bouchardeuse des deux mains.
- ◆ Appuyez la bouchardeuse contre la surface à travailler avant de commencer.

Utilisation

- ◆ Laissez la machine faire le travail, n'appuyez pas trop fort.
- ◆ Toute forme d'utilisation au ralenti ou lorsque la machine est soulevée doit être évitée.
- ◆ Évitez d'activer le dispositif de marche/arrêt lorsque la machine est en position haute.
- ◆ Vérifiez que l'air comprimé est propre, sec et exempt de brouillard d'huile.

Lors des pauses

- ◆ Pendant toutes vos pauses, vous devez éloigner la machine de manière à éliminer tout risque de démarrage accidentel. Assurez-vous de placer la machine sur le sol, de manière qu'elle ne tombe pas.
- ◆ En cas de pause prolongée ou lorsque vous quittez votre lieu de travail : Coupez l'alimentation électrique, puis purgez la machine en activant le dispositif de marche/arrêt.

Maintenance

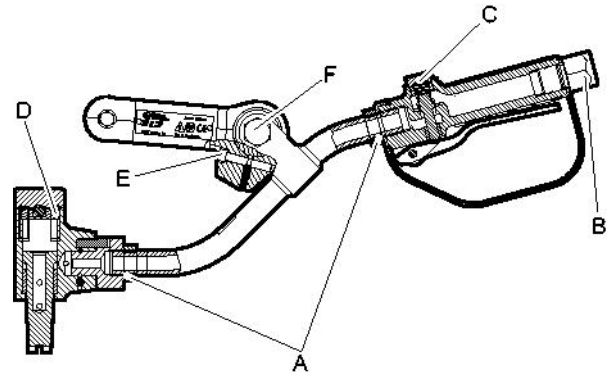
Une maintenance régulière est une condition fondamentale pour que la machine reste un outil sûr et efficace. Respectez soigneusement les instructions d'entretien.

- ◆ Avant de commencer l'entretien de la machine, nettoyez-la afin d'éviter toute exposition aux substances dangereuses. Voir « Dangers liés aux poussières et aux fumées ».
- ◆ N'utilisez que des pièces de rechange autorisées. Aucun dommage ou mauvais fonctionnement dû à l'utilisation de pièces non autorisées n'est couvert par la garantie ou la responsabilité produits.
- ◆ Lors du nettoyage des pièces mécaniques avec un solvant, assurez-vous que vous respectez bien les normes de sécurité et de santé et que la ventilation est suffisante.
- ◆ Pour un entretien plus complet de la machine, contactez l'atelier homologué le plus proche.
- ◆ Après chaque service, vérifiez que le niveau de vibrations de la machine est normal. Sinon, contactez votre atelier agréé le plus proche.

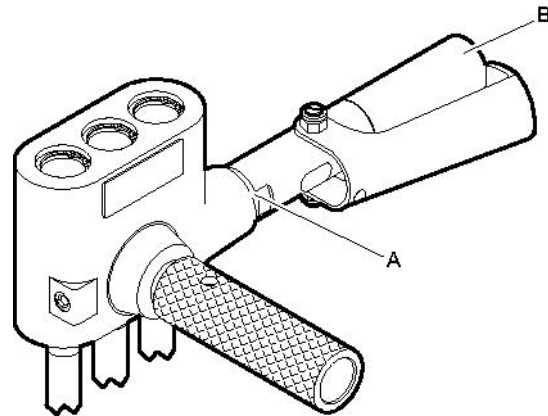
Chaque jour

Avant d'entreprendre une tâche de maintenance ou de changer un piston sur la bouchardeuse pneumatique, coupez toujours l'arrivée d'air et purgez la machine en appuyant sur le dispositif de marche/arrêt. Débranchez ensuite le flexible pneumatique de la machine.

- ◆ Nettoyez et inspectez la machine et ses fonctionnalités chaque jour, avant son utilisation.
- ◆ Effectuez une inspection générale des fuites et dommages.
- ◆ Vérifiez que l'embout de prise d'air est bien serré et que le raccord décaleur n'est pas endommagé.
- ◆ Si la machine est équipée d'une poignée antivibratoire, vérifiez qu'elle se déplace librement (de haut en bas) et ne se bloque pas.
- ◆ Vérifiez que la semelle pivotante se déplace librement et ne se bloque pas.
- ◆ Vérifiez l'état de la bague en caoutchouc.
- ◆ Remplacez immédiatement les pièces endommagées.
- ◆ Remplacez les éléments ou pièces usés sans attendre.
- ◆ Assurez-vous que tous les équipements auxiliaires ou connexes, comme les flexibles et les séparateur d'eau sont correctement entretenus.



CP 0006 SVR



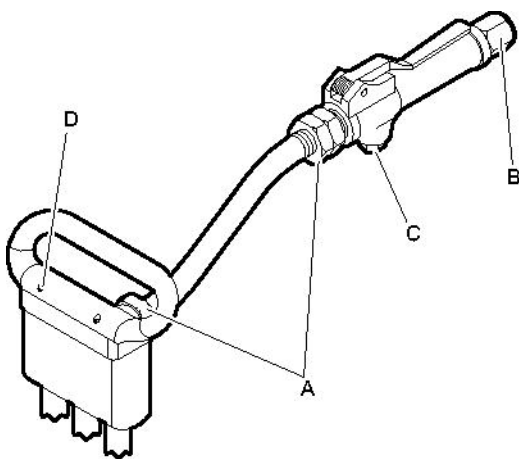
CP 0066

- A. Couple : 35-40 lbf.ft (47-54 Nm), utiliser de la Loctite® 542™. (Loctite est une marque déposée de Henkel Corporation. 542 est une marque déposée de Henkel Corporation.)
- B. Couple : 50-60 lbf.ft (68-81 Nm), utiliser de la Loctite® 542™.
- C. Couple : 60-70 lbf.ft (81-95 Nm), utiliser de la Loctite® 542™.
- D. Couple : 15-16 lbf.ft (20-22 Nm), utiliser de la Loctite® 242™. (Loctite est une marque déposée de Henkel Corporation. 242 est une marque déposée de Henkel Corporation.)
- E. Couple : 13 lbf.ft (17 Nm).
- F. Couple : 44-52 lbf.ft (60-70 Nm).

Maintenance périodique

Après chaque période d'utilisation d'environ 100 heures d'impact ou trois fois par an, la machine doit être démontée et toutes les pièces doivent être nettoyées et examinées. Ce travail doit être effectué par du personnel autorisé et formé à cette tâche.

Instructions de montage



CP 0006

Recherche de pannes

Si la bouchardeuse pneumatique ne démarre pas ou s'il a une puissance faible ou une performance irrégulière, vérifiez les points suivants.

- ◆ Contrôlez que le piston et le cylindre sont propres et secs.
- ◆ Vérifiez que le système d'air comprimé fournit à la machine une pression d'air suffisante pour assurer la puissance maximale.
- ◆ Vérifiez que les dimensions et la longueur du flexible d'air sont conformes aux recommandations. Voir « Installation ».
- ◆ En cas de risque de gel, vérifiez que les ports d'échappement de la machine ne sont pas bloqués.

Si le fonctionnement de la machine n'est toujours pas satisfaisant après cette procédure, contactez un atelier homologué.

Stockage

- > Avant de l'entreposer, nettoyez minutieusement la machine afin d'éviter toute exposition aux substances dangereuses. Voir « Dangers liés aux poussières et aux fumées ».
- > Stockez toujours la machine dans un endroit sec.

Destruction d'une machine usagée

Toute machine usagée doit être traitée et détruite de telle manière que la plus grande partie des matériaux puisse être recyclée et que tout impact négatif sur l'environnement soit aussi faible que possible, et conformément aux réglementations locales.

Données techniques

Caractéristiques de la machine

Type	Poids lb (kg)	Longueur in. (mm)	Fréquence de frappe Hz	Consommation d'air foot ³ /min (l/s)
CP 0006	10 (4,5)	16 ½ (411)	50	27 ½ (13)
CP 0006 SVR	15 (6,8)	20 (510)	51	27 ½ (13)
CP 0066	10 (4,5)	11 (280)	50	27 ½ (13)

Énoncé déclaratif sur les vibrations et le bruit

Niveau de puissance acoustique garanti **L_w** selon la norme ISO 3744 conformément à la directive 2000/14/CE.

Niveau de pression acoustique **L_p** selon la norme ISO 11203.

Niveau des vibrations **A** et incertitude **B** selon la norme ISO 20643. Veuillez consulter le tableau « Données relatives au bruit et aux vibrations » pour les valeurs A, B, etc.

Ces valeurs déclarées ont été obtenues à l'issue de tests de type effectués en laboratoire conformément à la directive ou aux normes énoncées et peuvent être comparées aux valeurs déclarées pour d'autres outils testés conformément aux mêmes directives ou normes. Ces valeurs déclarées ne sont pas appropriées pour l'utilisation dans les évaluations de risques et les valeurs mesurées dans différents lieux de travail peuvent être plus élevées. Les valeurs d'exposition et le risque de blessure pour un utilisateur particulier sont uniques et dépendent de la façon dont il travaille, du matériel sur lequel la machine est utilisée, ainsi que de la durée d'exposition, de l'état physique de l'utilisateur et de l'état de la machine.

Atlas Copco Construction Tools AB, ne peut être tenu pour responsable des conséquences d'une utilisation des valeurs déclarées à la place des valeurs correspondant à l'exposition réelle, dans le cadre d'une évaluation des risques sur un lieu de travail dont nous ne maîtrisons aucun élément.

L'utilisation de cet outil peut entraîner l'apparition du syndrome de vibration du système main-bras si elle n'est pas effectuée de manière adéquate. Vous trouverez guide publié par l'UE sur les vibrations transmises à la main et au bras à l'adresse <http://www.humanvibration.com/EU/VIBGUIDE.htm>

Nous recommandons un programme de contrôle médical pour détecter par avance les symptômes éventuellement liés à l'exposition aux vibrations, afin de permettre la modification des procédures de gestion et la prévention des infirmités futures.

Données relatives au bruit et aux vibrations

Type	Bruit		Vibration	
	Valeurs déclarées		Valeurs déclarées	
	Pression acoustique	Puissance acoustique	Valeurs triaxiales	
	ISO 11203	2000/14/CE	ISO 20643	
	L_p r=1m dB(A) rel 20µPa	L_w garanti dB(A) rel 1pW	A m/s ² valeur	B m/s ² étalé
CP 0006	92	N/A	23,1	2,8
CP 0006 SVR	92	N/A	7,1	1,2
CP 0066	-	N/A	12,8	1,8

Déclaration CE de conformité

Déclaration CE de conformité (Directive 2006/42/CE)

Nous, Atlas Copco Construction Tools AB, déclarons par la présente que les machines énumérées ci-dessous sont conformes aux dispositions de la directive européenne 2006/42/CE (directive « Machines »), et des normes harmonisées mentionnées ci-dessous.

Bouchardeuses pneumatiques portatives	Pmax (bar)
CP 0006	6.2
CP 0006 SVR	6.2
CP 0066	6.2

Les normes harmonisées suivantes ont été appliquées :

- ◆ ISO/FDIS 11148-4

Représentant agréé de la documentation technique :

Erik Sigfridsson
Atlas Copco Construction Tools AB
Dragonvägen 2
Kalmar

Directeur général :

Erik Sigfridsson

Fabricant :

Atlas Copco Construction Tools AB
105 23 Stockholm
Sweden

Lieu et date :

Kalmar, 2010-01-01

DEUTSCH

Inhalt

Einführung	37
Informationen zu den Sicherheitshinweisen und Betriebsanleitung	37
Sicherheitshinweise	38
Sicherheits-Signalworte.....	38
Personliche Vorsichtsmaßnahmen und Qualifikationen.....	38
Installation, Vorsichtsmaßnahmen.....	38
Betrieb, Vorsichtsmaßnahmen.....	39
Wartung, Vorsichtsmaßnahmen.....	43
Lagerung, Vorsichtsmaßnahmen.....	43
Übersicht	44
Konstruktion und Funktion.....	44
Hauptkomponenten.....	44
Aufkleber.....	44
Einbau	45
Schläuche und Anschlüsse.....	45
Anschließen eines Wasserabscheiders.....	45
Kolben.....	46
Betrieb	46
Start und Stopp.....	46
Betrieb.....	47
Einlegen von Pausen.....	47
Wartung	47
Täglich.....	47
Regelmäßige Wartung.....	48
Montageanweisungen.....	48
Fehlersuche	48
Lagerung	49
Entsorgung	49
Technische Daten	50
Maschinendaten.....	50
Angaben zu Geräuschemission und Vibration.....	50
Angaben zu Geräuschemission und Vibration.....	50
EG-Konformitätserklärung	51
EG-Konformitätserklärung (EG-Richtlinie 2006/42/EG).....	51

Einführung

Wir danken Ihnen für die Wahl eines Produkts von Chicago Pneumatic. In der Druckluftwerkzeug-Industrie steht die Marke Chicago Pneumatic seit über 100 Jahren für Leistung und Innovation.

Heute bietet das Unternehmen weltweit eine breite Palette pneumatischer und hydraulischer Werkzeuge. Dazu gehören Abbauhämmer, Bohrhämmer, Meißelhämmer, Tonhämmer, Spitzhacken und Rammkeile, Spitzhämmer, Pumpen und vieles mehr.

Die Marke Chicago Pneumatic garantiert stets leistungsfähige, leicht zu bedienende und zuverlässige Produkte mit einem hervorragenden Preis-Leistungs-Verhältnis.

Weitere Informationen erhalten Sie auf unserer Website: www.cp.com

Atlas Copco Construction Tools AB
105 23 Stockholm
Schweden

Informationen zu den Sicherheitshinweisen und Betriebsanleitung

Ziel dieser Anleitung ist es, Sie mit der sicheren und effizienten Bedienung des handgehaltenen pneumatischen Abklopfers vertraut zu machen. Die Anleitung enthält auch Hinweise zur Durchführung regelmäßiger Wartungsarbeiten am pneumatischen Abklopfer.

Lesen Sie bitte diese Anleitung vor der ersten Benutzung des pneumatischen Abklopfers genau durch.

Sicherheitshinweise

Lesen Sie bitte vor Installation, Betrieb, Reparatur und Wartung der Maschine bzw. vor dem Wechsel von Zubehör die Sicherheitshinweise und die Betriebsanleitung sorgfältig durch, um Unfallrisiken, die mit ernsthaften Verletzungen oder Lebensgefahr verbunden sein können, zu vermeiden.

Schlagen Sie diese Sicherheitshinweise und Betriebsanleitung am Arbeitsplatz an. Verteilen Sie Kopien an die Mitarbeiter. Stellen Sie sicher, dass jeder Mitarbeiter vor dem Betrieb der Maschine oder vor Wartungsarbeiten diese Sicherheitshinweise und Betriebsanleitung liest.

Darüber hinaus sollten der Bediener oder der Arbeitgeber des Bedieners die spezifischen Risiken bewerten, die bei jeder Anwendung dieser Maschine bestehen.

Sicherheits-Signalworte

Die Sicherheits-Signalworte Gefahr, Warnung und Achtung haben folgende Bedeutung:

GEFAHR	Hinweis auf eine Gefahrensituation, die bei Nichtbeachtung zu schweren oder lebensgefährlichen Unfällen führt.
WARNUNG	Hinweis auf eine Gefahrensituation, die bei Nichtbeachtung zu schweren oder lebensgefährlichen Unfällen führen kann.
ACHTUNG	Hinweis auf eine Gefahrensituation, die bei Nichtbeachtung zu geringen oder leichten Verletzungen führen kann.

Personliche Vorsichtsmaßnahmen und Qualifikationen

Die Maschine darf nur von qualifiziertem und geschultem Personal bedient oder gewartet werden. Dieses muss physisch in der Lage sein, mit Größe, Gewicht und Leistung der Maschine umzugehen. Verlassen Sie sich immer auf Ihren gesunden Menschenverstand.

Schutzausrüstung

Verwenden Sie stets geeignete Schutzausrüstung! Von Mitarbeitern und anderen Personen im Arbeitsbereich ist mindestens folgende Schutzausrüstung zu tragen:

- > Schutzhelm
- > Gehörschutz
- > Schutzbrille (mit seitlicher Abschirmung der Augen)
- > Atemmaske (bei Bedarf)
- > Schutzhandschuhe
- > Geeignete Sicherheitsschuhe
- > Geeigneter Arbeitsanzug oder ähnliche (eng anliegende) Kleidung, die Arme und Beine bedeckt.

Drogen, Alkohol oder Medikamente

▲ **WARNUNG** Drogen, Alkohol oder Medikamente

Drogen, Alkohol oder Medikamente können Ihre Urteilskraft und Konzentrationsfähigkeit einschränken. Schlechte Reaktionsfähigkeit und Fehleinschätzungen können zu schweren Verletzungen führen.

- ▶ Bedienen Sie die Maschine niemals, wenn Sie müde sind oder unter dem Einfluss von Drogen, Alkohol oder Medikamenten stehen.
- ▶ Personen, die unter dem Einfluss von Drogen, Alkohol oder Medikamenten stehen, dürfen die Maschine nicht bedienen.

Installation, Vorsichtsmaßnahmen

▲ **GEFAHR** Ausschlagender Druckluftschlauch

Ein Druckluftschlauch, der sich gelöst hat, kann ausschlagen und lebensgefährliche Verletzungen verursachen. Zur Verhütung dieses Unfallrisikos ist Folgendes zu beachten:

- ▶ Stellen Sie sicher, dass Druckluftschlauch und Anschlüsse unbeschädigt sind, und ersetzen Sie diese gegebenenfalls.
- ▶ Stellen Sie sicher, dass sämtliche Druckluftanschlüsse korrekt befestigt sind.
- ▶ Tragen Sie eine Druckluftmaschine niemals am Druckluftschlauch.

- ▶ Ein unter Druck stehender Druckluftschlauch darf unter keinen Umständen abgebaut oder demontiert werden. Schalten Sie zuerst die Druckluft am Kompressor aus und lassen Sie die Maschine durch Betätigen des Start- und Stoppschalters auslaufen.
- ▶ Richte einen Druckluftschlauch nie auf eine andere Person oder den eigenen Körper! Um Verletzungen zu vermeiden, darf Druckluft niemals zum Sauberblasen von Kleidung oder auf ähnliche Weise zweckentfremdet werden.
- ▶ Verwenden Sie an der Werkzeugaufnahme keine Schnellkupplungen. Verwenden Sie Schlaucharmaturen mit Gewinde und aus gehärtetem Stahl (oder aus Material mit vergleichbarer Stoßfestigkeit).
- ▶ Bei Verwendung von Universaldrehkupplungen (Klauenkupplungen) empfehlen wir die Installation von Sicherungsstiften und Sicherungskabeln (die das Umherschlagen von Druckschläuchen verhindern), um den erforderlichen Schutz zu gewährleisten, falls eine Verbindung von Werkzeug zu Schlauch oder von Schlauch zu Schlauch versagt.

Betrieb, Vorsichtsmaßnahmen

▲ GEFÄHR Explosionsgefahr

Wenn ein Kolben mit Explosivstoffen oder explosiven Gasen in Kontakt kommt, kann es zu einer Explosion kommen. Bei der Arbeit mit bzw. der Verwendung von bestimmten Materialien können Funken auftreten und Explosionen verursachen. Explosionen können zu ernsthaften Verletzungen oder zum Tod führen.

- ▶ Die Maschine nie in einer explosiven Umgebung betreiben.
- ▶ Verwenden Sie die Maschine niemals in der Nähe von entzündlichen Materialien, Dämpfen oder Staub.
- ▶ Stellen Sie sicher, dass keine verborgenen Gasquellen oder Explosivstoffe vorhanden sind.

▲ WARNUNG Unerwartete Bewegungen

Der Kolben wird während des Betriebs der Maschine stark beansprucht. Der Kolben kann nach Ablauf der Lebensdauer aufgrund von Werkstoffermüdung brechen. Wenn der Kolben bricht oder verklemmt, kann die Maschine plötzliche und unerwartete Bewegungen ausführen, die Verletzungen verursachen können. Außerdem kann es zu Verletzungen kommen, wenn Sie das Gleichgewicht verlieren oder ausrutschen.

- ▶ Stellen Sie sicher, dass Sie immer eine stabile Standposition einnehmen. Verteilen Sie dazu Ihr Körpergewicht möglichst gleichmäßig.
- ▶ Prüfen Sie die Ausrüstung vor jeder Anwendung. Bei Schadensverdacht darf die Ausrüstung auf keinen Fall verwendet werden.
- ▶ Stellen Sie sicher, dass die Griffe sauber und frei von Fett oder Öl sind.
- ▶ Halten Sie Ihre Hände und Füße vom Kolben fern.
- ▶ Halten Sie die Maschine immer mit beiden Händen fest.
- ▶ Gehen Sie mit der Ausrüstung sorgsam um.
- ▶ Prüfen Sie den Kolben regelmäßig auf Abnutzung, Beschädigungen oder sichtbare Risse.
- ▶ Achten Sie während des Betriebs auf ungewöhnliche Vorgänge.

▲ **WARNUNG** Gefahren durch Abgase und Staub

Staub und/oder Abgase, die beim Betrieb der Maschine erzeugt oder freigesetzt werden, können zu ernsthaften und chronischen Atemwegserkrankungen oder zu körperlichen Beeinträchtigungen führen (z. B. zu Silikose, ernsthaften chronischen Lungenerkrankungen, Krebs, Erbkrankheiten und/oder Hautentzündungen).

Einige Staubsorten und Abgase, die beim Bohren, Aufbrechen, Hämmern, Sägen, Schleifen oder anderen Bautätigkeiten freigesetzt werden, enthalten chemische Elemente, die Atemwegserkrankungen, Krebs oder Erbkrankheiten auslösen. Dazu gehören z. B.:

- > Steinstaub, Zement und andere Baustoffe.
- > Arsen und Chrom aus chemisch behandeltem Gummi.
- > Blei aus bleihaltigen Farben.

In der Luft vorhandene Abgase und Staub können für das bloße Auge unsichtbar sein. Verlassen Sie sich daher nicht auf eine lediglich optische Kontrolle, ob Abgase und Staub in der Luft vorhanden sind.

Um die Gefahren durch Abgase und Staub zu vermindern, befolgen Sie folgende Anweisungen:

- ▶ Führen Sie eine auf den jeweiligen Arbeitsplatz bezogene Risikoanalyse durch. Die Risikoanalyse sollte die von der Maschine freigesetzten Abgase und Staub sowie ein mögliches Aufwirbeln von vorhandenem Staub berücksichtigen.
- ▶ Verwenden Sie geeignete technische Hilfsmittel zur Minimierung von Abgasen und Staub in der Luft sowie auf der Oberfläche von Ausrüstung, Kleidung und Körperteilen. Zu solchen Hilfsmitteln gehören z. B.: Absaugungen und Staubsammelsysteme, Sprühwasseranlagen und Nassbohren. Begrenzen Sie Staub und Abgase möglichst an deren Entstehungsquelle. Stellen Sie sicher, dass diese Hilfsmittel korrekt installiert, gewartet und angewendet werden.
- ▶ Tragen Sie stets geeignete sowie korrekt angewendete und gewartete Atemmasken, entsprechend den Anweisungen des Arbeitgebers sowie entsprechend den betrieblichen Gesundheits- und Sicherheitsbestimmungen. Die Atemmaske muss für die jeweilige Substanz geeignet (und möglichst von der zuständigen staatlichen Behörde genehmigt) sein.
- ▶ Arbeiten Sie in einem gut belüfteten Bereich.
- ▶ Verfügt die Maschine über ein Abgasrohr, richten Sie dieses so aus, dass die Staubaufwirbelungen in staubigen Umgebungen möglichst gering sind.
- ▶ Betrieb und Wartung der Maschine sind entsprechend den Sicherheitshinweisen und der Betriebsanleitung durchzuführen.
- ▶ Auswahl, Wartung und Austausch von Verbrauchsmaterialien/ Werkzeugen/ anderem Zubehör sind entsprechend den Sicherheitshinweisen und der Betriebsanleitung durchzuführen. Die falsche Wahl oder ungenügende Wartung von Verbrauchsmaterialien/ Werkzeugen/ anderem Zubehör kann die Freisetzung von Staub und Abgasen erhöhen.
- ▶ Tragen Sie am Arbeitsplatz abwaschbare oder Einwegschutzkleidung; Duschen Sie oder wechseln Sie die Kleidung vor dem Verlassen des Arbeitsplatzes, um Ihre eigene Belastung durch Staub und Abgase und die anderer Personen bzw. von Autos, Heimstätten und anderer Bereiche so gering wie möglich zu halten.
- ▶ Vermeiden Sie das Essen, Trinken oder Rauchen in Bereichen, in denen eine Belastung durch Staub und Abgase vorhanden ist.
- ▶ Waschen Sie umgehend nach dem Verlassen des Belastungsbereichs sowie stets vor dem Essen, Trinken, Rauchen oder dem Kontakt mit anderen Personen Ihre Hände und Ihr Gesicht.
- ▶ Beachten Sie alle relevanten Gesetze und Vorschriften sowie die betrieblichen Gesundheits- und Sicherheitsbestimmungen.
- ▶ Nehmen Sie entsprechend den betrieblichen Gesundheits- und Sicherheitsbestimmung an Schulungen zur Luftreinhaltung, medizinischen Prüfungen und Gesundheits- und Sicherheitsprogrammen teil, wenn diese von Ihrem Arbeitgeber oder von den Berufsverbänden angeboten werden. Konsultieren Sie Ärzte, die auf Arbeitsmedizin spezialisiert sind.
- ▶ Arbeiten Sie mit Ihrem Arbeitgeber und Berufsverband zusammen, um die Gefahren durch Abgase und Staub am Arbeitsplatz zu vermindern. Effektive Gesundheits- und Sicherheitsprogramme, -regelungen und -verfahren zum Schutz von Mitarbeitern und anderen Personen vor gefährlichen Stäuben und Abgasen sollten entsprechend dem Rat von Gesundheits- und Sicherheitsexperten erstellt und implementiert werden. Lassen Sie sich von Experten beraten.

▲ WARNUNG Fliegende Splitter

Fehler des Werkstücks, des Zubehörs oder der Maschine selbst können mit hoher Geschwindigkeit fliegende Splitter erzeugen. Beim Arbeiten können Splitter oder andere Partikel des bearbeiteten Materials zu Geschossen werden und ernsthafte Verletzungen verursachen, wenn Sie den Maschinenbenutzer oder andere Personen treffen. Zur Verhütung dieses Unfallrisikos ist Folgendes zu beachten:

- ▶ Tragen Sie immer geeignete Schutzausrüstung und einen Schutzhelm, einschließlich einer Schutzbrille mit seitlicher Abschirmung der Augen.
- ▶ Stellen Sie sicher, dass Unbefugte den Arbeitsbereich nicht betreten können.
- ▶ Der Arbeitsplatz ist sauber und aufgeräumt zu hinterlassen.
- ▶ Stellen Sie sicher, dass das Werkstück wirklich fest sitzt.

▲ WARNUNG Gefahren durch Ausrutschen, Stolpern und Hinfallen

Es besteht die Gefahr, auszurutschen, zu stolpern oder hinzufallen, z. B. Stolpern über Maschinenschläuche oder andere Gegenstände. Ausrutschen, Stolpern oder Hinfallen kann zu Verletzungen führen. Zur Verhütung dieses Unfallrisikos ist Folgendes zu beachten:

- ▶ Stellen Sie stets sicher, dass Ihnen oder anderen Personen keine Schläuche oder andere Objekte in Weg sind.
- ▶ Stellen Sie sicher, dass Sie immer eine stabile Standposition einnehmen. Verteilen Sie dazu Ihr Körpergewicht möglichst gleichmäßig.

▲ WARNUNG Gefahren durch Bewegung

Bei Verwendung der Maschine für arbeitsbezogene Tätigkeiten, können Beschwerden an Händen, Armen, Schultern, am Nacken oder an anderen Körperteilen auftreten.

- ▶ Nehmen Sie eine bequeme Körperhaltung und eine sichere Standposition ein. Vermeiden Sie unsichere, unausgeglichene oder ungeschickte Haltungen.
- ▶ Bei längeren Tätigkeiten kann das Wechseln der Körperposition das Auftreten von Beschwerden und Ermüdungserscheinungen vermeiden helfen.
- ▶ Nehmen Sie bei anhaltenden oder wiederkehrenden Symptomen professionelle medizinische Hilfe in Anspruch.

▲ WARNUNG Gefahren durch Vibration

Der Anwender ist auch bei normaler und richtiger Anwendung der Maschine Vibrationen ausgesetzt. Häufige und regelmäßige Vibrationsbelastungen können zu Verletzungen der Finger, Hände, Handgelenke, Arme, Schultern und/oder der Nerven- oder Blutbahnen oder anderer Körperteile führen oder andere Körperteile führen oder bestehende Schädigungen verschlimmern. Es können chronische Beschwerden oder Schwächungen entstehen, die sich nur allmählich über Zeiträume von Wochen, Monaten oder Jahren entwickeln. Dazu kann eine Schädigung oder Störung des Blutkreislaufs, des Nervensystems, des Bewegungsapparats oder anderer Körperstrukturen gehören.

Falls während oder nach der Benutzung der Maschine andauernde Beschwerden, wie Taubheit, Brennen, Steifheit, Klopfen, Kribbeln, Schmerzen, eingeschränkte Feinmotorik oder Greiffunktion, weißliche Hautverfärbungen oder andere Symptome auftreten, stellen Sie die Arbeit an der Maschine ein und begeben Sie sich in medizinische Betreuung. Wenn Sie nach dem Auftreten der genannten Beschwerden die Arbeit an der Maschine fortsetzen, kann das zu einer Verschlimmerung der Beschwerden oder zu chronischen Erkrankungen führen.

Betrieb und Wartung der Maschine sind entsprechend dieser Anleitung durchzuführen, um unnötig starke Vibrationen zu vermeiden.

Die folgenden Hinweise können dazu beitragen, die Vibrationsbelastung für den Anwender gering zu halten:

- ▶ Lassen Sie das Werkzeug die Arbeit verrichten. Wenden Sie zum Festhalten der Maschine nur soviel Kraft auf, wie für deren einwandfreie Steuerbarkeit und sicheren Betrieb mindestens erforderlich ist.
- ▶ Bei laufendem Schlagmechanismus dürfen Sie keinen anderen Körperkontakt mit der Maschine haben als die Hände am Griff oder an den Griffen. Vermeiden Sie jeden anderen Kontakt, z. B. Anlehnen irgendeines Körperteils an die Maschine, um die Vorschubkraft zu erhöhen. Wichtig ist auch, beim Zurückziehen des Werkzeugs aus der Bearbeitungsfläche den Start- und Stoppschalter nicht gedrückt zu halten.
- ▶ Die Verwendung von verschlissenen Kolben führt zu einer längeren Bearbeitungszeit und damit auch zu höheren Vibrationsbelastungen. Stellen Sie sicher, dass der Kolben gut gewartet und nicht verschlissen ist. Ebenso wichtig ist es, stets einen scharfen Kolben zu verwenden, um effektiv arbeiten zu können.

- ▶ Stellen Sie sofort die Arbeit ein, wenn die Maschine plötzlich stark zu vibrieren anfängt. Ermitteln und beseitigen Sie die Ursache der verstärkten Vibrationen, bevor Sie die Arbeit fortsetzen.
- ▶ Fassen Sie während des Betriebs der Maschine niemals den Kolben an bzw. halten Sie ihn niemals fest.
- ▶ Nehmen Sie an medizinischen Untersuchungen und Kontrollen teil, wenn diese von Ihrem Arbeitgeber angeboten werden oder gesetzlich vorgeschrieben sind.
- ▶ Tragen Sie beim Arbeiten in kalter Umgebung warme Kleidung, und halten Sie Ihre Hände warm und trocken.

Lesen Sie die für diese Maschine geltenden „Angaben zu Geräuschemission und Vibration“ einschließlich der angegebenen Vibrationswerte. Diese Informationen befinden sich am Ende dieser Sicherheitshinweise und Betriebsanleitung.

- ◆ Halten Sie den für den Betrieb der Maschine empfohlenen Luftdruck ein. Höherer oder niedrigerer Luftdruck als der empfohlene kann zu stärkeren Vibrationen führen.

▲ GEFAHR Gefahren durch elektrischen Strom

Die Maschine ist nicht elektrisch isoliert. Wenn die Maschine mit Elektrizität in Kontakt kommt, kann dies zu ernsthaften Verletzungen oder zum Tod führen.

- ▶ Betreiben Sie die Maschine niemals in der Nähe von elektrischen Leitungen oder anderen Stromquellen.
- ▶ Stellen Sie sicher, dass innerhalb des Arbeitsbereichs keine verborgenen elektrischen Quellen vorhanden sind.

▲ WARNUNG Gefahren durch verborgene Objekte

Beim Arbeiten stellen verborgene Leitungen und Rohre eine Gefahr dar, die zu ernsthaften Verletzungen führen kann.

- ▶ Prüfen Sie vor Beginn der Arbeiten die Zusammensetzung des Materials.
- ▶ Achten Sie auf verborgene Kabel und Leitungen, z. B. Elektro-, Telefon-, Wasser-, Gas- und Abwasserleitungen.
- ▶ Wenn Sie meinen, dass der Kolben ein verborgenes Objekt getroffen hat, schalten Sie die Maschine sofort aus.

- ▶ Stellen Sie sicher, dass keine Gefahr besteht, bevor Sie fortfahren.

▲ WARNUNG Unbeabsichtigter Start

Unbeabsichtigtes Starten der Maschine kann zu Verletzungen führen.

- ▶ Halten Sie Ihre Hände so lange vom Start- und Stoppschalter fern, bis Sie zum Starten der Maschine bereit sind.
- ▶ Machen Sie sich damit vertraut, wie die Maschine im Notfall ausgeschaltet wird.
- ▶ Lassen Sie bei jeglicher Unterbrechung der Energieversorgung sofort den Start- und Stoppschalter los.
- ▶ Schalten Sie bei allen Wartungsarbeiten der Maschine die Luftzufuhr ab, lassen Sie die Maschine durch Betätigen des Start- und Stoppschalters auslaufen, und trennen Sie die Maschine von der Energieversorgung.

▲ WARNUNG Gehörverlust

Hohe Schallpegel können zu bleibendem Hörverlust und anderen Problemen wie Tinnitus (Klingel-, Summ-, Brumm- oder Pfeifgeräusche in den Ohren) führen. Zur Verringerung dieser Gefahren und zur Vermeidung von unnötig hohen Schallpegeln ist Folgendes zu beachten:

- ▶ Eine Risikoanalyse dieser Gefahren und eine Implementierung geeigneter Kontrollmaßnahmen werden dringend empfohlen.
- ▶ Betrieb und Wartung der Maschine sind entsprechend dieser Anleitung durchzuführen.
- ▶ Auswahl, Wartung und Austausch des Werkzeugs sind entsprechend dieser Anleitung durchzuführen.
- ▶ Verfügt die Maschine über einen Schalldämpfer, stellen Sie sicher, dass dieser angebracht und in einwandfreiem Zustand ist.
- ▶ Tragen Sie stets einen Gehörschutz.
- ▶ Verwenden Sie dämpfende Materialien, um das „Klingeln“ von Werkstücken zu vermeiden.

Wartung, Vorsichtsmaßnahmen

▲ WARNUNG Änderungen an der Maschine

Änderungen an der Maschine können zu schweren Unfällen führen.

- ▶ Nehmen Sie niemals Änderungen an der Maschine vor. Bei modifizierten Maschinen entfallen Garantie und Produkthaftung.
- ▶ Verwenden Sie stets Originalteile, Originalwerkzeuge und Originalzubehör.
- ▶ Wechseln Sie beschädigte Bauteile sofort aus.
- ▶ Ersetzen Sie verschlissene Komponenten rechtzeitig.

▲ VORSICHT Heißer Kolben

Die Spitze des Kolbens kann während des Betriebs sehr heiß und scharf werden. Das Berühren der Spitze kann zu Verbrennungen und Schnittverletzungen führen.

- ▶ Berühren Sie niemals einen heißen oder scharfen Kolben.
- ▶ Warten Sie mit eventuellen Wartungsarbeiten bis sich der Kolben abgekühlt hat.

Lagerung, Vorsichtsmaßnahmen

- ◆ Lagern Sie die Maschine und die Werkzeuge in einer sicheren, abgeschlossenen Umgebung und für Kinder unzugänglich.

Übersicht

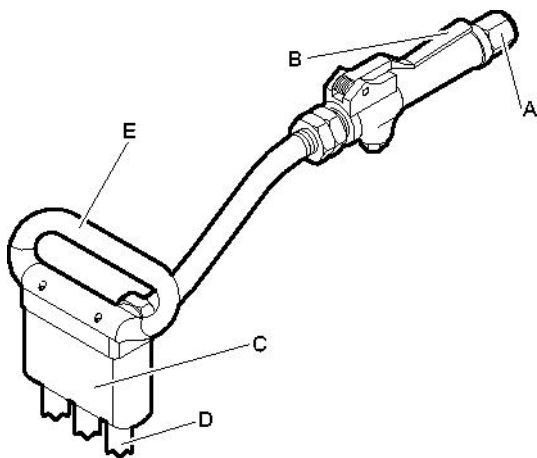
Lesen Sie bitte vor dem Betrieb der Maschine die Sicherheitshinweise auf den vorangegangenen Seiten dieses Handbuchs, um Unfallrisiken, die mit ernsthaften Verletzungen oder Lebensgefahr verbunden sein können, zu vermeiden.

Konstruktion und Funktion

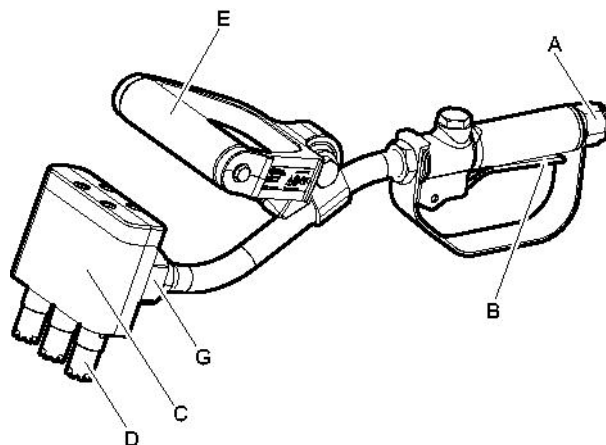
Die Maschinen CP 0006, CP 0006 SVR und CP 0066 sind für das Abklopfen, Aufrauen oder Entfernen von Beton ausgelegt. Sie können auch für das Entfernen von Rost von Stahloberflächen verwendet werden. Die Maschine kann sowohl horizontal als auch vertikal betrieben werden. Andere Einsatzgebiete sind nicht zulässig.

Zur Wahl des richtigen Kolbens schlagen Sie bitte in der Ersatzteilliste nach.

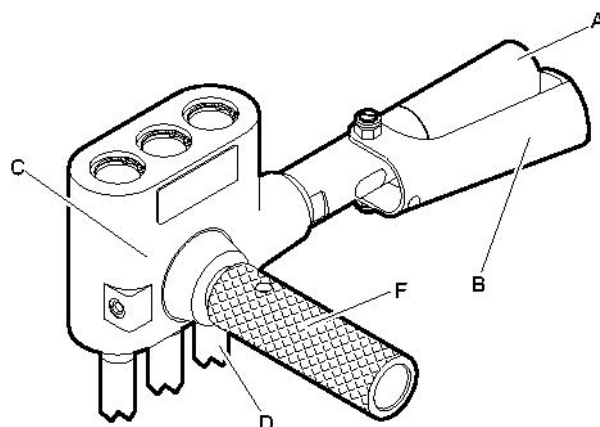
Hauptkomponenten



CP 0006



CP 0006 SVR



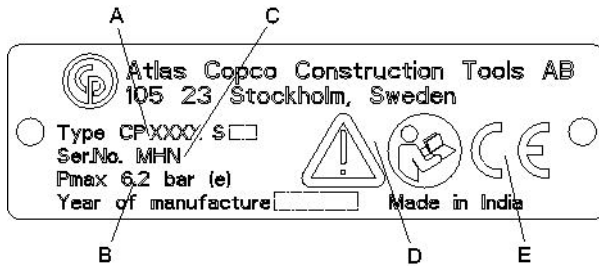
CP 0066

- A. Luftzufuhr
- B. Start- und Stoppschalter
- C. Zylinder
- D. Kolben
- E. Frontgriff
- F. Seitengriff
- G. Drehzapfen

Aufkleber

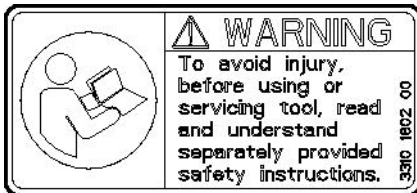
An der Maschine sind Etiketten mit wichtigen Informationen zu Sicherheit und Wartung angebracht. Die Etiketten müssen stets gut lesbar sein. Neue Etiketten können anhand der Ersatzteilliste bestellt werden.

Typenschild



- A. Maschinentyp
- B. Max. zulässiger Druckluftdruck
- C. Seriennummer
- D. Das Warnsymbol und das Buchsymbol weisen darauf hin, dass Sie vor dem ersten Einsatz der Maschine die Sicherheitshinweise und die Betriebsanleitung lesen müssen.
- E. Das CE-Zeichen zeigt an, dass die Maschine EG-geprüft ist. Weitere Informationen dazu finden Sie in der beigelegten EG-Konformitätserklärung. Fehlt das CE-Zeichen, bedeutet dies, dass die Maschine nicht EG-geprüft ist.

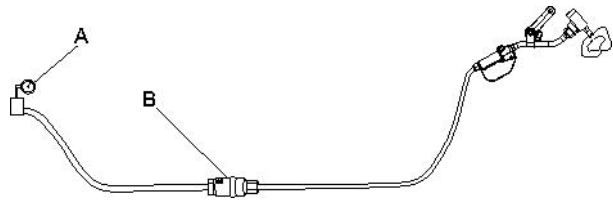
Sicherheitsschild



Lesen Sie vor Benutzung und Wartung des Werkzeugs die separat mitgelieferten Sicherheitshinweise sorgfältig durch, um Verletzungen zu vermeiden.

Einbau

Schläuche und Anschlüsse



- A. Druckluftquelle
 - B. Wasserabscheider (optional)
- ♦ Stellen Sie sicher, dass Sie den richtigen Luftdruck von 87 psig (6 bar (e)) eingestellt haben.
 - ♦ Der für die Maschine zulässige maximale Luftdruck von 90 psig (6,2 bar (e)) darf nicht überschritten werden.
 - ♦ Blasen Sie alle Verunreinigungen aus dem Druckluftschlauch aus, bevor Sie die Maschine anschließen.
 - ♦ Wählen Sie für den Druckluftschlauch den richtigen Durchmesser und die passende Länge aus. Verwenden Sie für Schlauchlängen bis 100 feet (30 m) einen Schlauch mit einem Innendurchmesser von mindestens $\frac{3}{4}$ " (19 mm). Für Schlauchlängen von 100 bis 330 feet (30 bis 100 m) sollte ein Innendurchmesser von mindestens 1" (25 mm) verwendet werden.
 - ♦ Der Kolben ist nicht zu schmieren. Dies kann zu einem unbeabsichtigten Stopp der Maschine führen.
 - ♦ Eine Möglichkeit, die Bedienung der Maschine zu erleichtern, besteht darin, einen Gummischlauch mit einem Innendurchmesser von $\frac{3}{8}$ " (9,5 mm) und einer Länge von 10 feet (3 m) möglichst dicht an der Maschine zu verwenden.

Anschließen eines Wasserabscheiders

Der Schlauch zwischen Kompressor und Wasserabscheider muss so lang sein, dass der Wasserdampf abkühlt und kondensiert, bevor er den Wasserabscheider erreicht.

Wenn die Umgebungstemperatur unter 32 °F (0 °C) liegt, muss der Schlauch kurz genug sein, damit das Wasser im Schlauch nicht gefriert, bevor es den Wasserabscheider erreicht.

Kolben

▲ VORSICHT Heißer Kolben

Die Spitze des Kolbens kann während des Betriebs sehr heiß und scharf werden. Das Berühren der Spitze kann zu Verbrennungen und Schnittverletzungen führen.

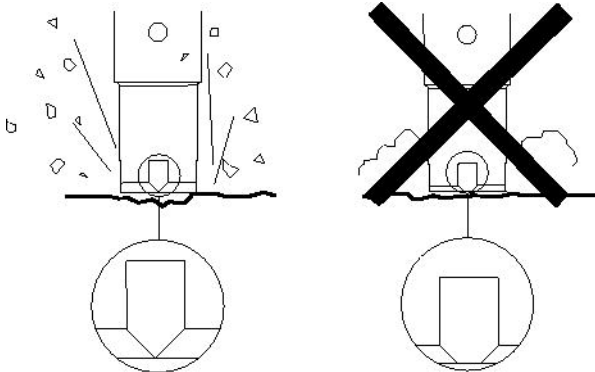
- ▶ Berühren Sie niemals einen heißen oder scharfen Kolben.
- ▶ Warten Sie mit eventuellen Wartungsarbeiten bis sich der Kolben abgekühlt hat.

HINWEIS Kühlen Sie einen heißen Kolben niemals in Wasser ab. Dies könnte zur Versprödung des Kolbens und zu dessen vorzeitigem Ausfall führen.

▲ WARNUNG Gefahren durch Vibration

Die Verwendung von verschlissenen Kolben führt zu einer längeren Bearbeitungszeit und damit auch zu höheren Vibrationsbelastungen.

- ▶ Stellen Sie sicher, dass der Kolben gut gewartet und nicht verschlissen ist.
- ▶ Verwenden Sie stets einen scharfen Kolben, um effektiv arbeiten zu können.



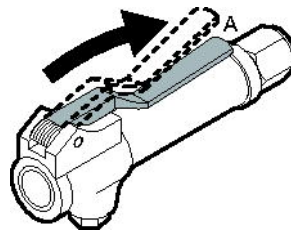
Betrieb

▲ WARNUNG Unbeabsichtigter Start

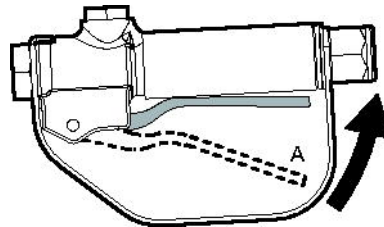
Unbeabsichtigtes Starten der Maschine kann zu Verletzungen führen.

- ▶ Halten Sie Ihre Hände so lange vom Start- und Stoppschalter fern, bis Sie zum Starten der Maschine bereit sind.
- ▶ Machen Sie sich damit vertraut, wie die Maschine im Notfall ausgeschaltet wird.
- ▶ Stoppen Sie die Maschine bei jeglicher Unterbrechung der Energieversorgung.

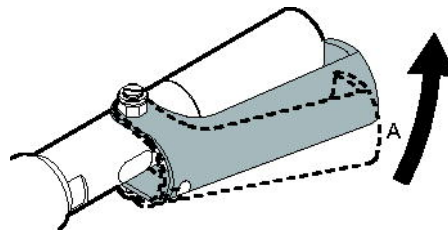
Start und Stopp



CP 0006

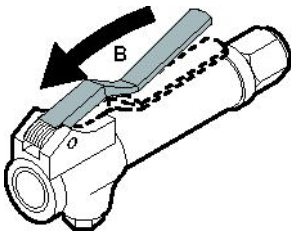


CP 0006 SVR

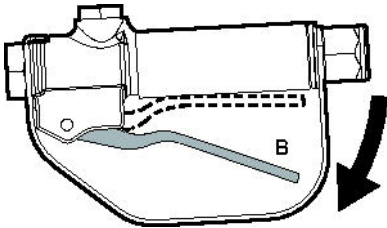


CP 0066

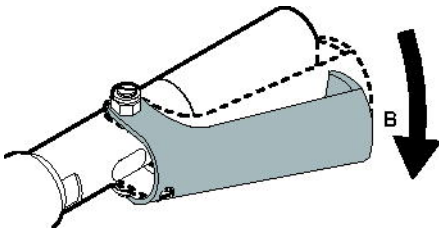
- ◆ Halten Sie den Griff gut fest, und starten Sie die Maschine durch Drücken des Auslösers (A).



CP 0006



CP 0006 SVR



CP 0066

- ◆ Stoppen Sie die Maschine durch Loslassen des Auslösers (B). Der Auslöser kehrt automatisch in die Stopposition zurück.

Betrieb

Beginnen eines Abbruchs

- ◆ Nehmen Sie eine stabile Standposition ein, und halten Sie den Abklopfer mit beiden Händen fest.
- ◆ Drücken Sie den Abklopfer vor dem Start leicht auf die Oberfläche des zu bearbeitenden Objekts.

Arbeiten

- ◆ Lassen Sie die Maschine die Arbeit verrichten; drücken Sie nicht zu fest auf.
- ◆ Vermeiden Sie jeglichen Leerschlagbetrieb der Maschine im angehobenen Zustand.
- ◆ Wenn die Maschine angehoben wird, darf der Start- und Stoppschalter nicht bedient werden.
- ◆ Stellen Sie sicher, dass Druckluft sauber, trocken und frei von Schmiermittel ist.

Einlegen von Pausen

- ◆ Bringen Sie die Maschine während jeder Pause außer Reichweite, so dass ein unbeabsichtigtes Starten der Maschine ausgeschlossen ist. Stellen Sie die Maschine stets so auf dem Boden ab, dass sie nicht umfallen kann.
- ◆ Bei längeren Pausen oder beim Verlassen des Arbeitsplatzes: Schalten Sie die Energieversorgung aus, und lassen Sie die Maschine durch Betätigen des Start- und Stoppschalters auslaufen.

Wartung

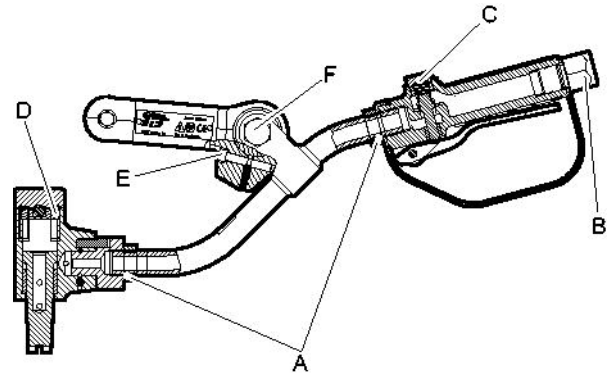
Eine regelmäßige Wartung ist die Grundvoraussetzung für den Erhalt der Sicherheit und Effektivität der Maschine. Halten Sie sich bitte genau an die Wartungsanweisungen.

- ◆ Säubern Sie die Maschine vor dem Start, um gefährliche Substanzen fernzuhalten. Siehe „Gefahren durch Abgase und Staub“
- ◆ Verwenden Sie ausschließlich Originalbauteile. Schäden oder Fehlfunktionen, die durch den Einsatz unzulässiger Bauteile entstehen, werden nicht durch Garantie oder Produkthaftung abgedeckt.
- ◆ Stellen Sie beim Reinigen mechanischer Teile mit Lösungsmittel sicher, dass die geltenden Gesundheits- und Sicherheitsvorschriften eingehalten werden und für ausreichende Lüftung gesorgt ist.
- ◆ Für eine Hauptdurchsicht der Maschine wenden Sie sich an Ihre nächste Vertragswerkstatt.
- ◆ Prüfen Sie nach jeder Wartung, ob die Vibrationsstärke der Maschine normal ist. Ist dies nicht der Fall, wenden Sie sich an Ihre nächste Vertragswerkstatt.

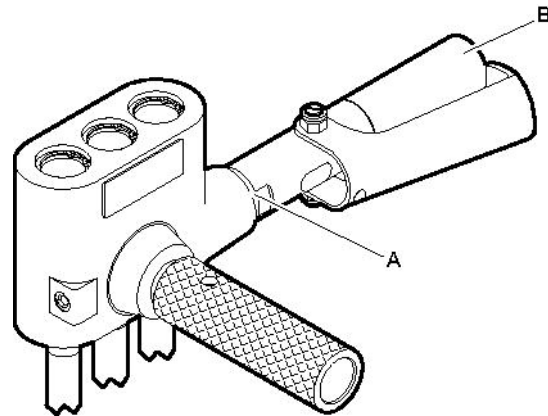
Täglich

Schalten Sie vor jeder Wartung oder jedem Wechsel des Kolbens am Abklopfer stets die Druckluftversorgung aus, und lassen Sie die Maschine durch Betätigen des Start- und Stoppschalters auslaufen. Trennen Sie anschließend den Druckluftschlauch von der Maschine.

- ◆ Säubern und prüfen Sie die Maschine auf ihre Funktionsfähigkeit täglich vor Arbeitsbeginn.
- ◆ Führen Sie eine allgemeine Prüfung auf Undichtigkeiten und Beschädigungen durch.
- ◆ Stellen Sie sicher, dass der Einlassnippel festgezogen und die Klauenkupplung nicht beschädigt ist.
- ◆ Verfügt die Maschine über einen vibrationsdämpfenden Griff, stellen Sie sicher, dass dieser sich frei bewegen lässt (auf – ab) und nicht klemmt.
- ◆ Stellen Sie sicher, dass sich der Drehzapfen frei bewegen lässt und nicht klemmt.
- ◆ Prüfen Sie den Zustand der Gummibuchse.
- ◆ Wechseln Sie beschädigte Bauteile sofort aus.
- ◆ Ersetzen Sie verschlissene Komponenten rechtzeitig.
- ◆ Stellen Sie sicher, dass Ausrüstung und Zubehör, z. B. Schläuche, Wasserabscheider, gut gewartet sind.



CP 0006 SVR



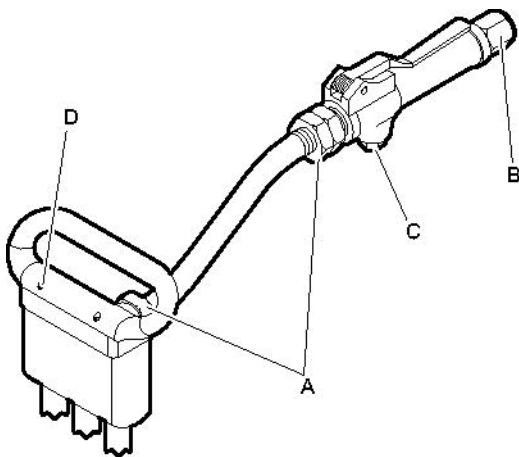
CP 0066

- A. Anzugsdrehmoment: 35-40 lbf.ft (47-54 Nm), verwenden Sie Loctite® 542™. (Loctite ist ein eingetragenes Warenzeichen der Henkel Corporation. 542 ist ein eingetragenes Warenzeichen der Henkel Corporation.)
- B. Anzugsdrehmoment: 50-60 lbf.ft (68-81 Nm), verwenden Sie Loctite® 542™.
- C. Anzugsdrehmoment: 60-70 lbf.ft (81-95 Nm), verwenden Sie Loctite® 542™.
- D. Anzugsdrehmoment: 15-16 lbf.ft (20-22 Nm), verwenden Sie Loctite® 242™. (Loctite ist ein eingetragenes Warenzeichen der Henkel Corporation. 242 ist ein eingetragenes Warenzeichen der Henkel Corporation.)
- E. Anzugsdrehmoment: 13 lbf.ft (17 Nm).
- F. Anzugsdrehmoment: 44-52 lbf.ft (60-70 Nm).

Regelmäßige Wartung

Nach einer Betriebsdauer von ca. 100 Stunden (oder dreimal pro Jahr) muss die Maschine zerlegt und alle Teile gereinigt und geprüft werden. Diese Arbeit muss von speziell hierfür geschultem Personal durchgeführt werden.

Montageanweisungen



CP 0006

Fehlersuche

Wenn der Abklopfer nicht startet oder geringe oder ungleichmäßige Leistung abgibt, prüfen Sie die folgenden Punkte.

- ◆ Stellen Sie sicher, dass Kolben und Zylinder sauber und trocken sind.
- ◆ Stellen Sie sicher, dass das Druckluftsystem die Maschine mit ausreichend Druckluft für maximale Leistung versorgt.
- ◆ Prüfen Sie, ob Länge und Durchmesser des Druckluftschlauchs den Empfehlungen entsprechen. Siehe „Installation“.
- ◆ Falls Eisbildungsgefahr besteht, stellen Sie sicher, dass die Abluftöffnungen der Maschine nicht blockiert sind.

Wenn die Maschine nach diesen Verfahren weiterhin nicht zufriedenstellend funktioniert, wenden Sie sich bitte an eine Vertragswerkstatt.

Lagerung

- > Reinigen Sie die Maschine gut vor der Lagerung, um gefährliche Substanzen fernzuhalten. Siehe „Gefahren durch Abgase und Staub“.
- > Lagern Sie die Maschine immer an einem trockenen Ort.

Entsorgung

Eine verschlissene Maschine muss so entsorgt werden, dass so viel Material wie möglich wiederverwendet werden kann und die Umwelt in Übereinstimmung mit den örtlichen Regelungen so wenig wie möglich belastet wird.

Technische Daten

Maschinendaten

Typ	Gewicht lb (kg)	Länge in. (mm)	Schlagfreq. Hz	Luftdurchsatz foot ³ /min (l/s)
CP 0006	10 (4,5)	16 ½ (411)	50	27 ½ (13)
CP 0006 SVR	15 (6,8)	20 (510)	51	27 ½ (13)
CP 0066	10 (4,5)	11 (280)	50	27 ½ (13)

Angaben zu Geräuschemission und Vibration

Garantierter Schallleistungspegel **L_w** gemäß EN ISO 3744 in Übereinstimmung mit der Richtlinie 2000/14/EG. Schalldruckpegel **L_p** gemäß ISO 11203.

Vibrationswert **A** und Unsicherheit **B**, ermittelt gemäß ISO 20643. Die Werte A, B usw. sind in der Tabelle „Angaben zu Geräuschemission und Vibration“ enthalten.

Die angegebenen Werte wurden durch Bauartprüfung im Labor entsprechend den angegebenen Richtlinien bzw. Normen ermittelt und eignen sich nur für den Vergleich mit den angegebenen Werten anderer Werkzeuge, die entsprechend den gleichen Richtlinien bzw. Normen ermittelt wurden. Die angegebenen Werte eignen sich nicht zur Verwendung in Risikoanalysen, denn die in individuellen Arbeitsumgebungen gemessenen Werte können höher sein. Die tatsächliche Belastung und das Verletzungsrisiko für den einzelnen Anwender hängen jeweils von der Arbeitsweise des Anwenders, vom bearbeiteten Material, von der Belastungsdauer, von der physischen Kondition des Anwenders und vom Zustand der Maschine ab.

Atlas Copco Construction Tools AB haftet nicht für Folgen, falls die genannten Werte anstelle der Werte verwendet werden, die der tatsächlichen Belastung entsprechen, hervorgehend aus einer individuellen Risikoanalyse in einer Arbeitsplatzsituation, die wir nicht beeinflussen können.

Diese Maschine kann das Hand-Arm Vibrationssyndrom auslösen, wenn sie nicht angemessen bedient wird. Eine EU-Richtlinie zum Umgang mit Hand-Arm-Vibrationen ist über <http://www.humanvibration.com/EU/VIBGUIDE.htm> abrufbar.

Wir empfehlen ein Gesundheitsüberwachungsprogramm zur Erkennung auch erster Symptome, die möglicherweise auf eine Vibrationsbelastung zurückzuführen sind, so dass betriebliche Maßnahmen zur Vorbeugung jeglicher Beeinträchtigungen ergriffen werden können.

Angaben zu Geräuschemission und Vibration

Typ	Geräuschemission		Vibration	
	Angegebene Werte		Angegebene Werte	
	Schalldruck	Schallleistung	Dreiachsenwerte	
	ISO 11203	2000/14/EG	ISO 20643	
	L_p r=1m dB(A) bei 20 μPa	L_w garantiert dB(A) bei 1 pW	A m/s ² Wert	B m/s ² Verteilung
CP 0006	92	N/A	23,1	2,8
CP 0006 SVR	92	N/A	7,1	1,2
CP 0066	-	N/A	12,8	1,8

EG-Konformitätserklärung

EG-Konformitätserklärung (EG-Richtlinie 2006/42/EG)

Wir, die Atlas Copco Construction Tools AB, erklären hiermit, dass die nachfolgend aufgelisteten Maschinen die Bestimmungen der EG-Richtlinien 2006/42/EG (Maschinenrichtlinie) sowie die nachfolgend genannten harmonisierten Normen erfüllen.

Handgehaltener pneumatischer Abklopfer	Pmax [bar]
CP 0006	6.2
CP 0006 SVR	6.2
CP 0066	6.2

Folgende harmonisierte Normen wurden angewandt:

- ◆ ISO/FDIS 11148-4

Bevollmächtigter für die technische Dokumentation:

Erik Sigfridsson
 Atlas Copco Construction Tools AB
 Dragonvägen 2
 Kalmar

Geschäftsführer:

Erik Sigfridsson

Hersteller:

Atlas Copco Construction Tools AB
 105 23 Stockholm
 Sweden

Ort und Datum:

Kalmar, 2010-01-01

ESPAÑOL

Contenido

Introducción 53

Acerca de las instrucciones de seguridad y de funcionamiento 53

Instrucciones de seguridad 54

 Terminología de las señales de seguridad 54

 Precauciones y cualificaciones del personal 54

 Instalación, precauciones 54

 Funcionamiento, precauciones 55

 Mantenimiento, precauciones 58

 Almacenamiento, precauciones 58

Visión general 59

 Diseño y funcionamiento 59

 Piezas principales 59

 Etiquetas 59

Montaje 60

 Mangueras y conexiones 60

 Conexión de un separador de agua 60

 Pistón 61

Funcionamiento 61

 Puesta en marcha y parada 61

 En funcionamiento 62

 En los descansos 62

Mantenimiento 62

 A diario 62

 Mantenimiento periódico 63

 Instrucciones de montaje 63

Localización y resolución de problemas 63

Almacenamiento 64

Desechar 64

Especificaciones técnicas 65

 Datos de la máquina 65

 Declaración de ruido y vibraciones 65

 Datos de ruido y vibraciones 65

Declaración CE de conformidad 66

 Declaración CE de conformidad (Directiva 2006/42/CE) 66

Introducción

Gracias por elegir productos de la marca Chicago Pneumatic. Durante más de un siglo, la marca Chicago Pneumatic ha sido la representación del rendimiento y la innovación en la industria de las herramientas neumáticas.

Actualmente se encuentra en todo el mundo con una amplia gama de herramientas neumáticas e hidráulicas, como por ejemplo martillos, perforadoras, cinceladores, excavadoras de tierra, picos, remachadoras, desbastadoras, bombas y muchas otras herramientas.

La marca Chicago Pneumatic se relaciona con productos potentes y fiables, fáciles de mantener y con una buena relación calidad-precio.

Para obtener más información, visite www.cp.com

Atlas Copco Construction Tools AB
105 23 Estocolmo
Suecia

Acerca de las instrucciones de seguridad y de funcionamiento

El objeto de las instrucciones es enseñarle a utilizar la escarificadora neumática de una forma eficaz y segura. Asimismo, las instrucciones le aconsejan el modo de realizar el mantenimiento regular de la escarificadora neumática.

Antes de utilizarla por primera vez debe leer estas instrucciones con atención y entenderlas en su totalidad.

Instrucciones de seguridad

Para reducir el riesgo de que usted u otras personas padezcan lesiones graves o la muerte, lea las Instrucciones de seguridad y funcionamiento antes de instalar, usar, reparar o cambiar la máquina o de realizar su mantenimiento.

Exponga estas instrucciones de seguridad y funcionamiento en las zonas de trabajo, proporcione copias a los empleados y asegúrese de que todos las lean antes de utilizar o reparar la máquina.

Además, el operario o su empleador deberá evaluar los riesgos específicos que pueden surgir como resultado del uso de la máquina.

Terminología de las señales de seguridad

Los términos de seguridad Peligro, Atención y Cuidado tienen los siguientes significados:

PELIGRO	Indica una situación de peligro que, si no se evita, ocasionará la muerte o lesiones graves.
ATENCIÓN	Indica una situación de peligro que, si no se evita, podría ocasionar la muerte o lesiones graves.
CUIDADO	Indica una situación de peligro que, si no se evita, podría ocasionar lesiones menores o moderadas.

Precauciones y cualificaciones del personal

Sólo personas cualificadas y debidamente formadas pueden utilizar u ocuparse del mantenimiento de la máquina. Deben poder manejar físicamente el volumen, el peso y la potencia de la herramienta. Utilice siempre su sentido común y buen juicio.

Equipo de protección personal

Utilice siempre equipo de protección autorizado. Los operarios y el resto del personal del área de trabajo deben llevar, como mínimo, el siguiente equipo de protección:

- > Casco de protección
- > Protección auditiva
- > Protección ocular resistente a los impactos con protección lateral

- > Protección respiratoria, cuando sea necesario
- > Guantes protectores
- > Botas protectoras adecuadas
- > Una bata de trabajo adecuada o prenda similar (no holgada) que cubra los brazos y las piernas.

Drogas, alcohol y medicación

▲ ADVERTENCIA Drogas, alcohol y medicación

Las drogas, el alcohol y la medicación pueden alterar la capacidad de juicio y el poder de concentración. Las malas reacciones y las valoraciones incorrectas pueden provocar accidentes graves o la muerte.

- ▶ Nunca utilice la máquina cuando esté cansado o bajo los efectos de drogas, alcohol o medicinas.
- ▶ Nadie que esté bajo los efectos de drogas, alcohol o medicinas podrá manejar la máquina.

Instalación, precauciones

▲ PELIGRO Manguera de aire suelta

Una manguera de aire comprimido suelta puede asestar latigazos y ocasionar lesiones o incluso la muerte. Para reducir este riesgo:

- ▶ Compruebe que la manguera de aire comprimido y las conexiones no estén dañadas y sustitúyalas si es necesario.
- ▶ Compruebe que todas las conexiones de aire comprimido estén debidamente conectadas.
- ▶ No arrastre nunca una máquina neumática por la manguera del aire.
- ▶ No intente nunca desconectar una manguera de aire comprimido que esté presurizada. En primer lugar, apague el suministro de aire comprimido del compresor y, a continuación, purgue la máquina activando el dispositivo de puesta en marcha y parada.
- ▶ No dirija nunca una manguera de aire comprimido hacia sí mismo ni a otras personas. Para evitar el riesgo de lesiones, no utilice nunca una manguera de aire comprimido para limpiar el polvo, la suciedad, etc. de la ropa.
- ▶ No utilice acoplamiento rápidos de desconexión en la entrada de la herramienta. Utilice fijaciones roscadas de la manguera de acero endurecido (o de otro material con una resistencia de choque similar).

- ▶ Siempre que se utilicen acoplamientos universales roscados (acoplamientos de garras), recomendamos que se coloquen pasadores de seguridad y se utilicen cables con válvula de seguridad para proteger la manguera ante posibles fallos de conexión de la manguera a la herramienta y entre mangueras.

Funcionamiento, precauciones

▲ PELIGRO Peligro de explosión

Si un pistón entra en contacto con explosivos o gases explosivos, se podría producir una explosión. Al trabajar con ciertos materiales y al utilizar determinados materiales en las piezas de la máquina, se pueden producir chispas y fuego. Las explosiones producirán lesiones graves o la muerte.

- ▶ Nunca utilice la máquina en un entorno explosivo.
- ▶ Nunca utilice la máquina cerca de materiales inflamables, humos o polvo.
- ▶ Asegúrese de que no haya fuentes de gas ni explosivos no detectados.

▲ ADVERTENCIA Movimientos inesperados

El pistón está expuesto a fuertes tensiones cuando se utiliza la máquina. Además puede romperse por fatiga después de un cierto volumen de uso. Si el pistón se rompe o se atasca, es posible que haya movimientos repentinos e inesperados, que pueden producir lesiones. Asimismo, si alguien pierde el equilibrio o resbala, podría sufrir lesiones.

- ▶ Asegúrese siempre de estar en una posición estable y con el peso del cuerpo equilibrado.
- ▶ Inspeccione siempre el equipo antes de usarlo. No utilice el equipo si cree que puede estar dañado.
- ▶ Compruebe que las empuñaduras estén limpias y que no tengan grasa ni aceite.
- ▶ Mantenga las manos y los pies alejados del pistón.
- ▶ Agarre siempre la máquina con ambas manos.
- ▶ No golpee nunca ni maltrate el equipo.
- ▶ Compruebe regularmente el desgaste del pistón y compruebe si hay signos de daños o grietas visibles.
- ▶ Preste atención y fíjese en lo que está haciendo.

▲ ADVERTENCIA Peligros del polvo y del humo

El polvo y los humos que se generan o dispersan al usar la máquina pueden causar dolencias o enfermedades respiratorias graves y permanentes u otras lesiones corporales (por ejemplo, silicosis y otras enfermedades pulmonares irreversibles que pueden resultar mortales, cáncer, malformaciones congénitas e inflamación de la piel).

El polvo y los humos generados por la perforación, la rotura, el martilleo, el aserrado, el esmerilado y otras actividades de construcción pueden contener sustancias consideradas por el Estado de California y otras autoridades como causantes de enfermedades respiratorias, cáncer, malformaciones congénitas y otros daños reproductivos. Algunos ejemplos de estas sustancias son:

- > Sílice cristalino, cemento y otros productos de albañilería.
- > Arsénico y cromo procedente del caucho tratado con sustancias químicas.
- > Plomo procedente de pinturas al plomo.

El polvo y los humos del aire pueden ser invisibles a simple vista, así que no confíe en su buena vista para determinar si hay polvo o humos en el aire.

Para reducir el riesgo de exposición al polvo y a los humos, haga todo lo siguiente:

- ▶ Realice una evaluación del riesgo específica del emplazamiento. La evaluación del riesgo debe incluir el polvo y los humos generados por el uso de la máquina y la posibilidad de alterar el polvo existente.
- ▶ Utilice controles de ingeniería adecuados para minimizar la cantidad de polvo y humos presentes en el aire y para minimizar la acumulación de polvo sobre el equipo, las superficies, la ropa y las partes del cuerpo. Algunos ejemplos de controles son: sistemas de ventilación y captación de polvo, rociadores de agua y perforaciones con inyección de agua. Controle el polvo y los humos en el origen cuando sea posible. Asegúrese de que los controles se instalen, conserven y utilicen adecuadamente.
- ▶ Lleve, conserve y utilice correctamente la protección respiratoria según indican las instrucciones del empleador y según los requisitos de las normativas de salud y seguridad en el trabajo. La protección respiratoria debe ser eficaz para el tipo de sustancia concreta (y, si procede, aprobada por la autoridad gubernamental correspondiente).
- ▶ Trabaje en una zona bien ventilada.

- ▶ Si la máquina tiene tubo de escape, diríjalo convenientemente de forma que se mueva el menor polvo posible donde éste sea abundante.
- ▶ Maneje y conserve la máquina según lo recomendado en las instrucciones de funcionamiento y seguridad.
- ▶ Seleccione, conserve y sustituya los consumibles, la herramienta de inserción y demás accesorios según lo recomendado en las instrucciones de funcionamiento y seguridad. La selección incorrecta o la falta de mantenimiento de los consumibles, de la herramienta insertada y demás accesorios puede causar un aumento innecesario del polvo o de los humos.
- ▶ Lleve prendas protectoras lavables o desechables en el lugar de trabajo; dúchese y póngase ropa limpia antes de salir del lugar de trabajo para reducir su exposición al polvo y a los humos y la de otras personas, coches, casas y otras zonas.
- ▶ Nunca coma, beba ni fume en zonas donde haya polvo o humos.
- ▶ Lávese las manos y la cara a fondo lo antes posible cuando salga de la zona de exposición, y siempre antes de comer, beber, usar productos relacionados con el tabaco o tener contacto con otras personas.
- ▶ Cumpla todas las leyes y normativas aplicables, incluidas las normativas de salud y seguridad en el trabajo.
- ▶ Participe en los programas de control del aire y en los exámenes médicos y en los programas de formación de salud y seguridad proporcionados por su empleador o por las organizaciones sindicales y conformes con las normativas y recomendaciones de salud y seguridad en el trabajo. Consulte con médicos que tengan experiencia en medicina del trabajo.
- ▶ Colabore con su empleador y con la organización sindical para reducir la exposición al polvo y a los humos en las obras y para reducir los riesgos. Se deben crear y poner en práctica programas, políticas y procedimientos eficaces de salud y seguridad, para proteger a los trabajadores y a las demás personas contra la exposición nociva al polvo y a los humos, a partir del asesoramiento de expertos de salud y seguridad. Consulte con los expertos.

▲ **ADVERTENCIA** **Proyectiles**

Un fallo de la pieza de trabajo, de los accesorios o incluso de la propia máquina puede generar proyectiles a alta velocidad. Durante el funcionamiento, las astillas y otras partículas del material de trabajo pueden actuar como proyectiles y causar daños corporales al golpear al operario o a otras personas. Para reducir estos riesgos:

- ▶ Utilice un equipo de protección personal aprobado y un casco de seguridad, incluida la protección ocular contra impactos con protección lateral.
- ▶ Asegúrese de que las personas no autorizadas no entren en la zona de trabajo.
- ▶ Mantenga el lugar de trabajo libre de objetos extraños.
- ▶ Asegúrese de que la pieza de trabajo esté bien sujeta.

▲ **ADVERTENCIA** **Peligros de deslizamiento, desconexión y caída**

Hay riesgo de deslizamiento, desconexión o caída, por ejemplo desconexión de las mangueras de la máquina o de otros objetos. El deslizamiento, la desconexión y la caída pueden provocar lesiones. Para reducir este riesgo:

- ▶ Asegúrese siempre de que no haya mangueras ni otros objetos que obstaculicen su paso o el de otras personas.
- ▶ Asegúrese siempre de estar en una posición estable y con el peso del cuerpo equilibrado.

▲ **ADVERTENCIA** **Riesgos relativos al movimiento**

Al usar la máquina para realizar actividades relacionadas con el trabajo, puede experimentar malestar en las manos, los brazos, los hombros, el cuello y otras partes del cuerpo.

- ▶ Adopte una postura cómoda manteniendo el pie firme y evitando extrañas posturas en desequilibrio.
- ▶ El cambio de postura durante las tareas prolongadas puede ayudar a evitar el malestar y la fatiga.
- ▶ En caso de tener síntomas continuos o periódicos, consulte a un profesional de la salud cualificado.

▲ **ADVERTENCIA** Riesgos relativos a las vibraciones

El uso normal y correcto de la máquina expone al operario a las vibraciones. La exposición regular y frecuente a las vibraciones puede ocasionar lesiones o trastornos (o contribuir a provocarlos o agravarlos) en dedos, manos, muñecas, brazos, hombros y/o nervios y riego sanguíneo u otras partes del cuerpo del operario, incluidas lesiones o trastornos permanentes y/o debilitantes que pueden desarrollarse gradualmente durante periodos de semanas, meses o años. Estas lesiones o trastornos pueden consistir en el deterioro del sistema circulatorio sanguíneo, del sistema nervioso, de las articulaciones y otros daños en distintas zonas del cuerpo.

Si en algún momento siente malestar continuo periódico, ardor, agarrotamiento, dolor punzante, hormigueo, dolor, torpeza, débil agarre en las manos, piel pálida u otros síntomas, tanto si está usando la máquina como si no, deje de usarla y acuda al médico. El uso continuado de la máquina tras la aparición de alguno de estos síntomas puede hacer que aumente el riesgo de que los síntomas se agraven o se hagan permanentes.

Maneje y conserve la máquina según lo recomendado en estas instrucciones, con el fin de evitar un aumento innecesario de las vibraciones.

Las siguientes indicaciones pueden ayudar a reducir la exposición a las vibraciones para el operario:

- ▶ Deje que sea la máquina la que haga el trabajo. Agárrela lo mínimo, para controlarla correctamente y que su uso sea seguro.
- ▶ Cuando se active el mecanismo de percusión, el único contacto corporal con la máquina que se debe tener es el de las manos en la empuñadura o las empuñaduras. Evite cualquier otro contacto, como por ejemplo descansar una parte del cuerpo en la máquina o apoyarse en ella para aumentar la fuerza de avance. También es importante no mantener el dispositivo de puesta en marcha y parada encendido al mismo tiempo que se extrae la herramienta de la superficie de trabajo.
- ▶ Si se utiliza un pistón desgastado, se tardará más en terminar la tarea y pueden producirse mayores niveles de exposición a las vibraciones. Asegúrese de que el pistón esté bien conservado y no desgastado. También es importante usar siempre un pistón afilado para trabajar de manera eficiente.

- ▶ Deje de trabajar inmediatamente, si de repente la máquina empieza a vibrar violentamente. Antes de continuar trabajando, averigüe y elimine la causa del incremento de las vibraciones.
- ▶ Nunca agarre, sostenga ni toque el pistón cuando utilice la máquina.
- ▶ Participe en las inspecciones o los controles de salud, en los exámenes médicos y en los programas de formación ofrecidos por su empleador y cuando la ley así lo exija.
- ▶ Cuando trabaje en climas fríos lleve ropa de abrigo y mantenga las manos calientes y secas.

Consulte la “Declaración de ruido y vibraciones” de la máquina, incluidos los valores de vibración declarados. Puede encontrar esta información al final de las instrucciones de seguridad y de funcionamiento.

- ◆ Asegúrese de satisfacer la presión atmosférica recomendada al utilizar la máquina. Una presión atmosférica más alta o más baja puede producir niveles más altos de vibración.

▲ **PELIGRO** Riesgos relacionados con la electricidad

La máquina no está aislada eléctricamente. Si la máquina entra en contacto con la electricidad, podría provocar lesiones graves o la muerte.

- ▶ No utilice nunca la máquina cerca de un cable eléctrico ni otra fuente de electricidad.
- ▶ Compruebe que no haya cables u otras fuentes de electricidad ocultos en el área de trabajo.

▲ **ADVERTENCIA** Peligros relacionados con objetos ocultos

Durante el funcionamiento, los cables y tubos ocultos constituyen un peligro, ya que pueden ocasionar lesiones graves o la muerte.

- ▶ Compruebe la composición del material antes del funcionamiento.
- ▶ Fíjese bien en que no haya cables ni tubos ocultos, como por ejemplo líneas de electricidad, teléfono, agua, gas y aguas residuales.
- ▶ Si el pistón parece haber topado con un objeto oculto, apague la máquina de inmediato.
- ▶ Compruebe que no haya ningún peligro antes de continuar.

▲ ADVERTENCIA Encendido involuntario

El encendido involuntario de la máquina puede producir lesiones.

- ▶ Mantenga las manos alejadas del dispositivo de puesta en marcha y parada hasta que esté listo para arrancar la máquina.
- ▶ Sepa cómo apagar la máquina en caso de producirse una emergencia.
- ▶ Libere el dispositivo de puesta en marcha y parada inmediatamente siempre que se interrumpa el suministro eléctrico.
- ▶ Cuando repare la herramienta, interrumpa el suministro de aire, purgue la máquina presionando el dispositivo de puesta en marcha y parada y desconéctela de la unidad de potencia.

▲ ADVERTENCIA Riesgos relacionados con el ruido

Los altos niveles de ruido pueden producir pérdida de audición permanente e incapacitante y otros problemas tales como acúfenos (vibración, zumbido, silbido o ronroneo en los oídos). Para reducir el riesgo y evitar un aumento innecesario de los niveles de ruido:

- ▶ Es esencial hacer la evaluación del riesgo de estos peligros y la puesta en práctica de los controles adecuados.
- ▶ Maneje y conserve la máquina según lo recomendado en estas instrucciones.
- ▶ Seleccione, conserve y sustituya la herramienta de inserción según lo recomendado en estas instrucciones.
- ▶ Si la máquina tiene silenciador, compruebe que esté en su sitio y en buen estado de funcionamiento.
- ▶ Utilice siempre protección para los oídos.
- ▶ Utilice material de amortiguación para evitar que las piezas de trabajo “vibren”.

**Mantenimiento,
precauciones**

▲ ADVERTENCIA Modificación de la máquina

Cualquier modificación de la máquina puede provocar daños corporales a usted y a otras personas.

- ▶ Nunca modifique la máquina. Una máquina modificada no estará cubierta por la garantía ni por la responsabilidad del producto.
- ▶ Utilice siempre piezas, herramientas de inserción y accesorios originales.
- ▶ Cambie las piezas dañadas inmediatamente.
- ▶ Sustituya los componentes gastados con la debida antelación.

▲ ATENCIÓN Pistón caliente

La punta del pistón puede calentarse y afilarse con el uso. Si se toca, puede provocar quemaduras y cortes.

- ▶ Nunca toque un pistón caliente o afilado.
- ▶ Espere a que el pistón se haya enfriado antes de realizar los trabajos de mantenimiento.

**Almacenamiento,
precauciones**

- ◆ Guarde la máquina y las herramientas en un lugar seguro, fuera del alcance de los niños y bajo llave.

Visión general

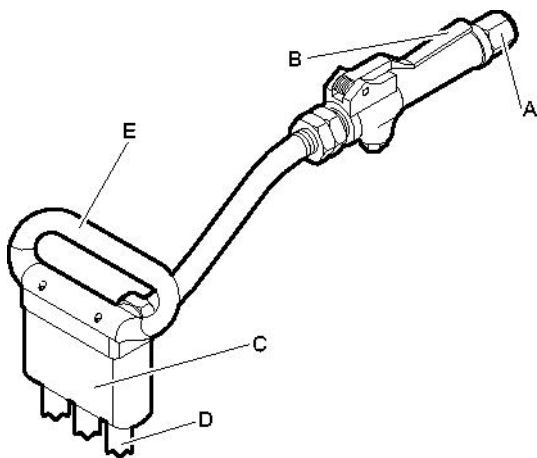
Para reducir el riesgo de que usted u otras personas padezcan lesiones graves o la muerte, antes de usar la máquina lea la sección de Instrucciones de seguridad que encontrará en las páginas anteriores de este manual.

Diseño y funcionamiento

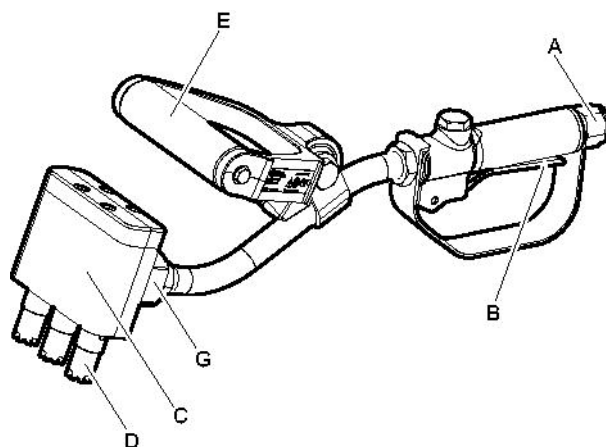
CP 0006, CP 0006 SVR, y CP 0066 son máquinas diseñadas para el descascarillado, el desbaste o la extracción de hormigón. También se pueden utilizar para quitar el óxido de las superficies de acero. La máquina puede utilizarse tanto en posición horizontal como vertical. No está permitido ningún otro uso.

Para elegir los pistones adecuados, consulte la lista de piezas de repuesto.

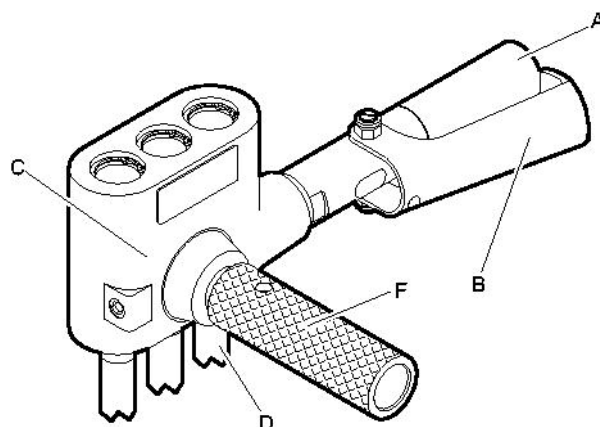
Piezas principales



CP 0006



CP 0006 SVR



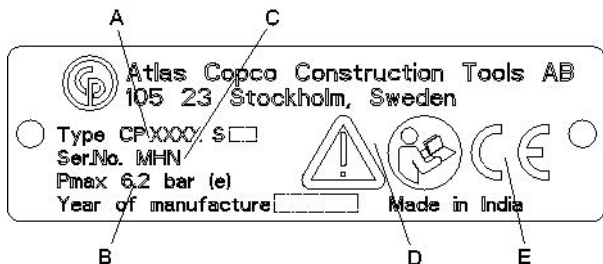
CP 0066

- A. Entrada de aire
- B. Dispositivo de puesta en marcha y parada
- C. Cilindro
- D. Pistón
- E. Empuñadura delantera
- F. Empuñadura lateral
- G. Cabezal giratorio

Etiquetas

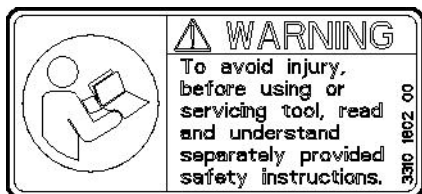
La máquina incluye etiquetas que contienen información importante sobre la seguridad personal y el mantenimiento de la máquina. Las etiquetas deberán estar en buen estado para que sean fáciles de leer. Se pueden pedir nuevas etiquetas en la lista de piezas de repuesto.

Placa de datos



- A. Tipo de máquina
- B. Presión de aire comprimido máxima permitida
- C. Número de serie
- D. El símbolo de atención unido al símbolo del libro significa que el usuario debe leer las instrucciones de seguridad y de funcionamiento antes de usar la máquina por primera vez.
- E. El símbolo CE indica que la máquina tiene la aprobación de la CE. Consulte la declaración de la CE que se suministra con la máquina para obtener más información. Si el símbolo CE no está, significa que la máquina no tiene la aprobación de la CE.

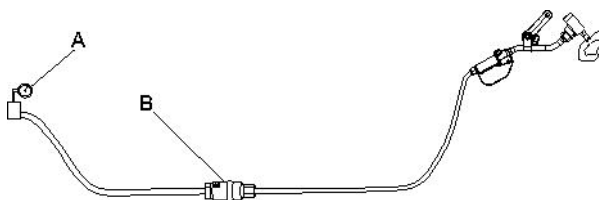
Etiqueta de seguridad



Para evitar lesiones, antes de usar o de reparar la herramienta, lea y comprenda las instrucciones de seguridad proporcionadas por separado.

Montaje

Mangueras y conexiones



- A. Fuente de aire comprimido
 - B. Separador de agua (opcional)
- ◆ Compruebe que utiliza la presión correcta de funcionamiento recomendada, 87 psig (6 bar (e)).
 - ◆ No debe sobrepasarse la presión máxima de aire admisible, 90 psig (6,2 bar (e)).
 - ◆ Quite las impurezas de la manguera de aire comprimido antes de conectarla a la máquina.
 - ◆ Seleccione las dimensiones correctas y la longitud de la manguera de aire comprimido. Para mangueras con longitudes de hasta 100 feet (30 metros), debe utilizarse una manguera con un diámetro interno mínimo de $\frac{3}{4}$ " (19 mm). Si la longitud de la manguera es de 100 a 330 feet (30 a 100 metros), debe utilizarse una manguera con un diámetro interno mínimo de 1" (25 mm).
 - ◆ No lubrique el pistón, ya que puede producir paradas involuntarias de la máquina.
 - ◆ Una alternativa para facilitar la operación de la máquina es utilizar una manguera de goma con un diámetro interno de $\frac{3}{8}$ " (9,5 mm) y una longitud de 10 feet (3 m), más cerca de la máquina.

Conexión de un separador de agua

La longitud de la manguera de aire entre el compresor y el separador de agua debe ser lo suficiente como para que el vapor de agua se enfríe y se condense en la manguera antes de alcanzar el separador de agua.

Si la temperatura ambiente está por debajo de 32 °F (0 °C) el tubo flexible debe ser lo suficientemente corto para impedir que se congele el agua antes de llegar al separador de agua.

Pistón

⚠ ATENCIÓN Pistón caliente

La punta del pistón puede calentarse y afilarse con el uso. Si se toca, puede provocar quemaduras y cortes.

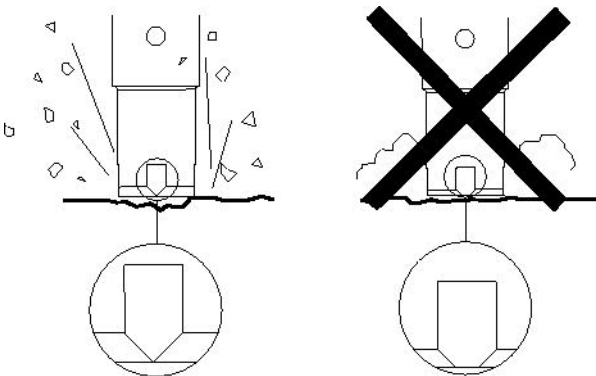
- ▶ Nunca toque un pistón caliente o afilado.
- ▶ Espere a que el pistón se haya enfriado antes de realizar los trabajos de mantenimiento.

AVISO No enfríe nunca un pistón caliente en agua, ya que puede producirle fragilidad y fallos prematuros.

⚠ ADVERTENCIA Riesgos relativos a las vibraciones

Si se utiliza un pistón desgastado, se tardará más en terminar la tarea y pueden producirse mayores niveles de exposición a las vibraciones.

- ▶ Asegúrese de que el pistón esté bien conservado y no desgastado.
- ▶ Utilice siempre un pistón afilado para trabajar de manera eficiente.



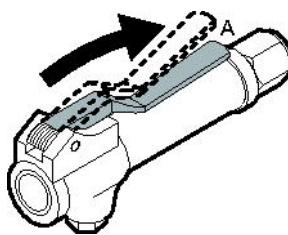
Funcionamiento

⚠ ADVERTENCIA Encendido involuntario

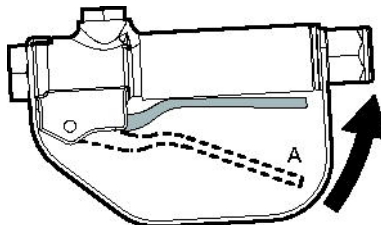
El encendido involuntario de la máquina puede producir lesiones.

- ▶ Mantenga las manos alejadas del dispositivo de puesta en marcha y parada hasta que esté listo para arrancar la máquina.
- ▶ Sepa cómo apagar la máquina en caso de producirse una emergencia.
- ▶ Detenga inmediatamente la máquina en caso de interrupción de la alimentación.

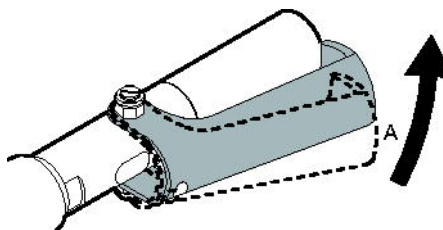
Puesta en marcha y parada



CP 0006

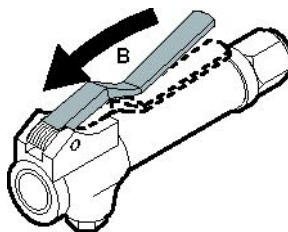


CP 0006 SVR

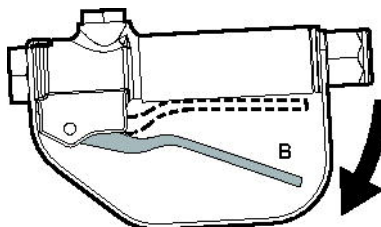


CP 0066

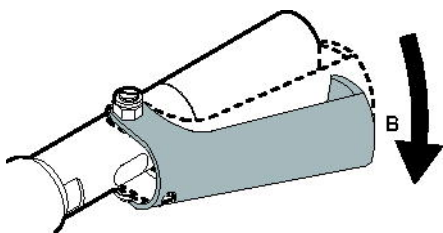
- ◆ Arranque la máquina apretando el arranque mientras sostiene firmemente la empuñadura.



CP 0006



CP 0006 SVR



CP 0066

- ◆ Pare la máquina soltando el gatillo (B). El gatillo regresa automáticamente a la posición de parada.

En funcionamiento

Inicio del corte

- ◆ Colóquese en una posición estable, sujetando la escarificadora con las dos manos.
- ◆ Presione ligeramente la escarificadora contra la superficie de trabajo antes de empezar.

Trabajo

- ◆ Deje que la máquina haga el trabajo y no haga demasiada fuerza.
- ◆ Debe evitarse el funcionamiento en vacío o con la máquina levantada.
- ◆ Cuando la máquina está levantada, el dispositivo de puesta en marcha y parada no debe activarse.
- ◆ Compruebe que el aire comprimido está limpio, seco y sin lubricación.

En los descansos

- ◆ Durante todos los descansos debe colocar la máquina de forma que no haya riesgo de que se ponga en marcha involuntariamente. Asegúrese de colocar la máquina en el suelo, de forma que no se caiga.
- ◆ En caso de hacer un descanso más largo o a la hora de irse de la obra: Apague la alimentación y, a continuación, purgue la máquina activando el dispositivo de puesta en marcha y parada.

Mantenimiento

El mantenimiento regular es un requisito esencial para el uso seguro y eficaz de la máquina. Siga las instrucciones de mantenimiento detenidamente.

- ◆ Antes de iniciar el mantenimiento en la máquina, límpiela para evitar la exposición a sustancias peligrosas. Consulte “Peligros del polvo y del humo”
- ◆ Utilice sólo piezas originales. Cualquier daño o defecto originado por la utilización de piezas no autorizadas no estará cubierto por la garantía ni por la responsabilidad del producto.
- ◆ Al limpiar las piezas mecánicas con un disolvente, asegúrese de cumplir la normativa de salud y seguridad en el trabajo y de que haya la suficiente ventilación.
- ◆ Para realizar una reparación más completa de la máquina, acuda al taller autorizado más cercano.
- ◆ Después de cada reparación, compruebe que el nivel de vibraciones de la máquina sea el normal. Si no lo es, póngase en contacto con el taller autorizado más cercano.

A diario

Antes de realizar cualquier tarea de mantenimiento o cambiar el pistón en la escarificadora, desactive siempre el suministro de aire, purgue la máquina pulsando el dispositivo de puesta en marcha y parada y desconecte la manguera de aire de la máquina.

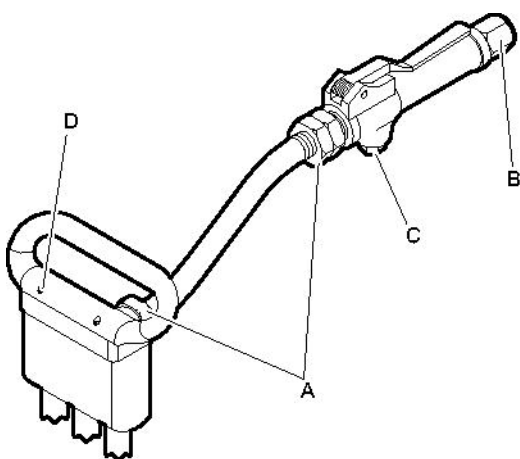
- ◆ Limpie e inspeccione la máquina y sus funciones cada día antes de empezar a trabajar.
- ◆ Realice una inspección general para determinar si hay fugas o desperfectos.
- ◆ Compruebe que la boquilla de admisión de aire esté apretada y que el acoplamiento de garras no esté dañado.
- ◆ Si la máquina tiene empuñadura amortiguadora de vibraciones, compruebe que se mueve libremente (de arriba abajo) y que no se atasca.
- ◆ Compruebe que el cabezal giratorio se mueve libremente y no se atasca.
- ◆ Compruebe la composición del casquillo de goma.
- ◆ Cambie las piezas dañadas inmediatamente.
- ◆ Sustituya los componentes gastados con la debida antelación.

- ◆ Asegúrese de que todos los equipos fijados y relacionados, tales como mangueras y separadores de agua estén en buen estado.

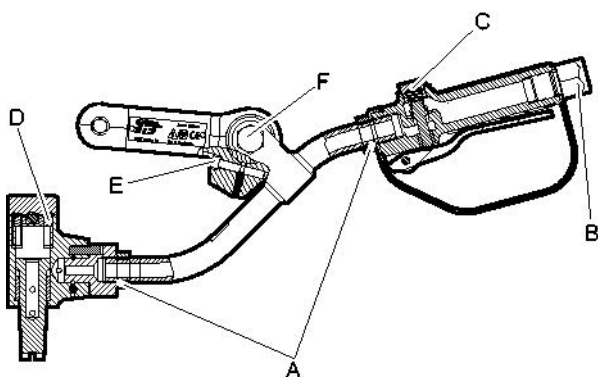
Mantenimiento periódico

Tras cada período de uso de aproximadamente 100 horas de impacto o tres veces al año, la máquina debe desmontarse y todas las piezas deben limpiarse y comprobarse. Este trabajo debe realizarlo personal autorizado y cualificado para ello.

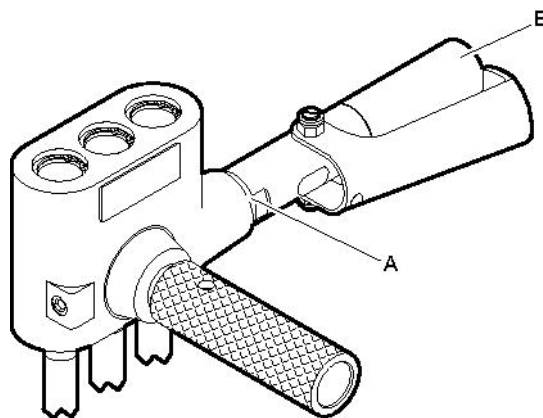
Instrucciones de montaje



CP 0006



CP 0006 SVR



CP 0066

- A. Apriete: 35-40 lbf.ft (47-54 Nm), utilizar Loctite® 542™. (Loctite es una marca registrada de Henkel Corporation. 542 es una marca comercial de Henkel Corporation.)
- B. Apriete: 50-60 lbf.ft (68-81 Nm), utilizar Loctite® 542™.
- C. Apriete: 60-70 lbf.ft (81-95 Nm), utilizar Loctite® 542™.
- D. Apriete: 15-16 lbf.ft (20-22 Nm), utilizar Loctite® 242™. (Loctite es una marca registrada de Henkel Corporation. 242 es una marca comercial de Henkel Corporation.)
- E. Apriete: 13 lbf.ft (17 Nm).
- F. Apriete: 44-52 lbf.ft (60-70 Nm).

Localización y resolución de problemas

Si la escarificadora no se pone en marcha, o genera una potencia baja o un rendimiento irregular, compruebe los siguientes puntos.

- ◆ Compruebe que el pistón y el cilindro estén limpios y secos.
- ◆ Compruebe que el sistema de aire comprimido abastezca a la máquina con suficiente presión de aire para generar una potencia plena.
- ◆ Compruebe las dimensiones y la longitud de la manguera de aire según las recomendaciones. Consulte la sección "Montaje".
- ◆ Si hay riesgo de congelación, compruebe que las salidas de escape de la máquina no estén bloqueadas.

Si el funcionamiento de la máquina todavía no es satisfactorio tras seguir el procedimiento anterior, acuda a un taller de reparación autorizado.

Almacenamiento

- > Antes del almacenamiento de la máquina, límpiela para evitar la existencia de sustancias peligrosas. Consulte “Peligros del polvo y del humo”.
- > Guarde siempre la máquina en un lugar seco.

Desechar

Una máquina usada se debe manipular y desechar de tal forma que se pueda reciclar la mayor cantidad posible del material, haya la menor influencia negativa posible en el medio ambiente y se cumplan las restricciones municipales.

Especificaciones técnicas

Datos de la máquina

Tipo	Peso lb (kg)	Longitud in. (mm)	Frec. impacto Hz	Consumo de aire foot ³ /min (l/s)
CP 0006	10 (4,5)	16 ½ (411)	50	27 ½ (13)
CP 0006 SVR	15 (6,8)	20 (510)	51	27 ½ (13)
CP 0066	10 (4,5)	11 (280)	50	27 ½ (13)

Declaración de ruido y vibraciones

Nivel de potencia acústica garantizado **L_w** según ISO 3744, de conformidad con la directiva 2000/14/CE.

Nivel de presión acústica **L_p** según ISO 11203.

Valor de vibraciones **A** e incertidumbre **B** determinado según ISO 20643. Consulte en la tabla “Datos de ruido y vibraciones” los valores A, B, etc.

Estos valores declarados se obtuvieron mediante pruebas de laboratorio, de acuerdo con la directiva o las normas indicadas, y son adecuados para la comparación con los valores declarados de otras herramientas probadas de acuerdo con dicha directiva o dichas normas. Estos valores declarados no son adecuados para su uso en evaluaciones de riesgo, por lo que los valores medidos en los lugares de trabajo individuales pueden resultar superiores. Los valores de exposición reales y el riesgo de sufrir daños experimentados por cada usuario son únicos y dependen del modo en que éste trabaja, el material con el que utiliza la máquina, así como el tiempo de exposición y el estado físico del usuario y el estado de la máquina.

Nuestra empresa, Atlas Copco Construction Tools AB, no se hace responsable de las consecuencias de utilizar los valores declarados en lugar de valores que reflejen la exposición real, en una evaluación de riesgos individual en una situación del lugar de trabajo sobre la que no tenemos control.

Esta herramienta puede causar el síndrome de vibraciones mano-brazo si no se usa adecuadamente. En la dirección <http://www.humanvibration.com/EU/VIBGUIDE.htm> puede ver una guía de la UE sobre el control de las vibraciones mano-brazo

Recomendamos un programa de control de salud para detectar los primeros síntomas que puedan estar relacionados con la exposición a las vibraciones, de forma que puedan modificarse los procedimientos de gestión para prevenir las discapacidades futuras.

Datos de ruido y vibraciones

Tipo	Ruido		Vibración	
	Valores declarados		Valores declarados	
	Presión acústica	Potencia acústica	Valores de tres ejes	
	ISO 11203	2000/14/CE	ISO 20643	
	L_p r=1m dB(A) rel 20 µPa	L_w garantizado dB(A) rel 1 pW	A m/s ² valor	B m/s ² amplitud
CP 0006	92	N/A	23,1	2,8
CP 0006 SVR	92	N/A	7,1	1,2
CP 0066	-	N/A	12,8	1,8

Declaración CE de conformidad

Declaración CE de conformidad (Directiva 2006/42/CE)

Atlas Copco Construction Tools AB declara por la presente que las máquinas detalladas a continuación se ajustan a las disposiciones de las Directivas 2006/42/CE (Directiva sobre máquinas), y a las normas armonizadas mencionadas más abajo.

Desbastadoras neumáticas manuales	Pmax (bares)
CP 0006	6.2
CP 0006 SVR	6.2
CP 0066	6.2

Se han aplicado las siguientes normas armonizadas:

- ◆ ISO/FDIS 11148-4

Representante autorizado para la documentación técnica:

Erik Sigfridsson
Atlas Copco Construction Tools AB
Dragonvägen 2
Kalmar

Administrador general:

Erik Sigfridsson

Fabricante:

Atlas Copco Construction Tools AB
105 23 Stockholm
Sweden

Lugar y fecha:

Kalmar, 2010-01-01

PORTUGUÊS

Índice

Introdução	69
Acerca das instruções de segurança e operação	69
Instruções de Segurança	70
Palavras de avisos de segurança.....	70
Precauções e competências pessoais.....	70
Instalação, precauções.....	70
Operação, precauções.....	71
Manutenção, precauções.....	75
Armazenamento, precauções.....	75
Visão geral	76
Concepção e função.....	76
Peças principais.....	76
Autocolantes.....	76
Instalação	77
Mangueiras e ligações.....	77
Conectar o separador de água.....	77
Êmbolo.....	77
Operação	78
Arranque e paragem.....	78
Funcionamento.....	79
Ao fazer uma pausa.....	79
Manutenção	79
Diariamente.....	79
Manutenção periódica.....	80
Instruções de montagem.....	80
Diagnóstico e reparação de avarias	80
Armazenamento	81
Abate	81
Dados técnicos	82
Dados da máquina.....	82
Declaração de ruído e vibração.....	82
Dados sobre o ruído e vibrações.....	82
Declaração de Conformidade da CE	83
Declaração de Conformidade da CE (Directiva da CE 2006/42/CE).....	83

Introdução

Obrigado por escolher os produtos da marca Chicago Pneumatic. Por mais de um século, a marca Chicago Pneumatic tem representado desempenho e inovação na indústria das ferramentas pneumáticas.

Hoje a marca encontra-se em todo o mundo com uma gama de ferramentas pneumáticas e hidráulicas que inclui martelos demolidores, perfuradores de rocha, escarificadores, escavadoras de argila, picadores e extractores, arrancadores de rebites, bombas e muito mais.

A marca Chicago Pneumatic está associada a produtos poderosos e confiáveis que são fáceis de manter e que justificam o investimento.

Para mais informações, visite www.cp.com

Atlas Copco Construction Tools AB
105 23 Stockholm
Sweden

Acerca das instruções de segurança e operação

O objectivo das instruções é o de lhe fornecer conhecimento sobre como utilizar o desbastador pneumático de uma maneira eficiente e segura. As instruções dão, também, conselhos e indicações sobre como efectuar manutenções regulares ao desbastador pneumático.

Antes de utilizar o desbastador pneumático pela primeira vez, tem obrigatoriamente que ler estas instruções cuidadosamente e compreendê-las na sua totalidade.

Instruções de Segurança

Para reduzir o risco de ferimentos graves ou morte, para si próprio ou para outros, leia e compreenda as instruções de Segurança e operação antes de instalar, operar, reparar, fazer manutenção ou mudar acessórios na máquina.

Afixe estas instruções de Segurança e operação nos locais de trabalho, forneça cópias aos empregados, e certifique-se de que todos lêem as instruções de Segurança e operação antes de operar a máquina, ou de prestar assistência à máquina.

Para além disso, o operador ou o empregador do operador deve avaliar os riscos específicos que podem estar presentes em resultado de cada utilização da máquina.

Palavras de avisos de segurança

As palavras de avisos de segurança Perigo, Atenção e Cuidado têm os seguintes significados:

PERIGO	Indica uma situação perigosa, a qual, se não for evitada, irá provocar a morte ou ferimentos graves.
ATENÇÃO	Indica uma situação perigosa, a qual, se não for evitada, poderá provocar a morte ou ferimentos graves.
CUIDADO	Indica uma situação perigosa, a qual, se não for evitada, poderá provocar ferimentos ligeiros ou moderados.

Precauções e competências pessoais

A operação ou manutenção da máquina só pode ser feita por pessoal com as habilitações e a formação necessárias. Este pessoal tem que ser fisicamente capaz de manusear o volume, o peso e a potência da ferramenta. Faça sempre uso do seu bom senso e da sua capacidade de avaliação das situações.

Equipamento pessoal de protecção

Use sempre equipamento de protecção aprovado. Os operadores, bem como todas as outras pessoas que se encontrem na zona de trabalho, devem usar equipamento de protecção, incluindo, no mínimo:

- > Capacete protector
- > Protecção auricular
- > Protecção para os olhos, resistente ao impacto e com protecção lateral
- > Protecção respiratória, quando necessário
- > Luvas protectoras
- > Botas protectoras adequadas
- > Fato de macaco de trabalho adequado, ou vestuário semelhante (não roupas largas) que cubra os braços e as pernas.

Drogas, álcool ou medicamentos

▲ ATENÇÃO Drogas, álcool ou medicamentos

Drogas, álcool ou medicamentos podem reduzir a sua capacidade de avaliação e de concentração. Reacções lentas e avaliações incorrectas podem provocar acidentes graves ou morte.

- ▶ Nunca use a máquina quando estiver cansado ou se tiver tomado drogas, álcool ou medicamentos.
- ▶ Ninguém que tenha tomado drogas, álcool ou medicamentos pode operar a máquina.

Instalação, precauções

▲ PERIGO Chicotada das mangueiras de ar

Um mangueira de ar comprimido que se solte pode causar ferimentos pessoais ou morte. Para reduzir este risco:

- ▶ Certifique-se de que as mangueiras de ar comprimido e as ligações não estão danificadas, e substitua-as se necessário.
- ▶ Certifique-se de que as mangueiras de ar comprimido e as ligações estão bem presas.
- ▶ Nunca transporte uma máquina pneumática segurando-a pela mangueira de ar.
- ▶ Nunca tente tirar uma mangueira de ar comprimido que esteja pressurizada. Primeiro, deve desligar a alimentação de ar comprimido directamente no compressor e, em seguida, deve purgar a máquina, activando o dispositivo de activação e desactivação.

- ▶ Nunca aponte uma mangueira de ar comprimido a si próprio ou a outra pessoa. Para evitar o risco de ferimentos, nunca utilize ar comprimido para soprar, por exemplo, poeiras, sujeira, etc. das suas roupas.
- ▶ Não use ligações de desacoplamento rápido à entrada da ferramenta. Use peças de encaixe roscadas para mangueira, em aço endurecido (ou num material com uma resistência ao choque equivalente).
- ▶ Sempre que forem usadas ligações de acoplamento universal de torcer (ligações de acoplamento de gancho), recomendamos que sejam instalados pinos de travamento e que sejam usados cabos de segurança anti-chicoteamento como salvaguarda contra possíveis falhas da mangueira à máquina, ou de mangueira a mangueira.

Operação, precauções

▲ PERIGO Perigo de explosão

Se um êmbolo entrar em contacto com materiais explosivos ou com gases explosivos, poderá ocorrer uma explosão. Durante o trabalho com certos materiais, bem como aquando da utilização de certos materiais em peças da máquina, podem ocorrer faíscas e ignição. As explosões podem provocar ferimentos graves ou morte.

- ▶ Nunca opere a máquina num ambiente explosivo.
- ▶ Nunca use a máquina ao pé de materiais inflamáveis, vapores inflamáveis ou poeiras inflamáveis.
- ▶ Certifique-se de que não existem fontes de gás ou explosivos ocultos.

▲ ATENÇÃO Movimentos inesperados

O êmbolo está exposto a grandes esforços quando a máquina está em utilização. O êmbolo pode partir-se devido a fadiga depois de um certo tempo de utilização. Se o êmbolo se partir ou se ficar agarrado, pode haver movimentos súbitos e inesperados, que podem provocar ferimentos. Para além disso, se perder o equilíbrio ou escorregar, isso poderá provocar ferimentos.

- ▶ Certifique-se de que está sempre numa posição estável, e que mantém sempre o peso do seu corpo em equilíbrio.
- ▶ Inspeccione sempre o equipamento antes de o usar. Nunca use o equipamento se suspeitar que se encontra danificado.
- ▶ Certifique-se de que as pegadas estão limpas e sem massa consistente nem óleo.
- ▶ Mantenha as suas mãos e os seus pés afastados do êmbolo.
- ▶ Segure sempre a máquina com as duas mãos.
- ▶ Nunca bata com a máquina nem a maltrate.
- ▶ Verifique regularmente se não há desgaste no êmbolo, e procure sinais de danos ou rachas visíveis.
- ▶ Preste atenção e olhe para aquilo que está a fazer.

▲ ATENÇÃO Perigos de poeiras e fumos

Poeiras e/ou fumos gerados ou dispersados quando a máquina é utilizada podem causar doenças respiratórias graves e permanentes, doenças ou outras lesões corporais (por exemplo, silicose ou outras doenças irreversíveis dos pulmões que possam ser fatais, cancro, defeitos congénitos, e/ou inflamação da pele).

Algumas poeiras e fumos criados por perfuração, demolição, martelamento, serração, rectificação e outras actividades de construção contêm substâncias conhecidas pelo Estado da Califórnia e outras autoridades como sendo causadoras de doença respiratória, cancro, defeitos congénitos, ou outros danos de reprodução. Alguns exemplos dessas substâncias são:

- > A sílica cristalina, o cimento, e outros produtos de alvenaria.
- > Arsénico e crómio da borracha quimicamente tratada.
- > Chumbo de tintas com base de chumbo.

As poeiras e os fumos no ar podem ser invisíveis a olho nu, portanto não se fie na visão para determinar se há fumos ou poeiras no ar.

Para reduzir o risco de exposição às poeiras e aos fumos, tome todas as acções seguintes:

- ▶ Faça uma avaliação de riscos específica para o local de trabalho. A avaliação de riscos deverá incluir poeiras e fumos criados pela utilização da máquina, bem como o potencial para levantar poeiras já existentes.
- ▶ Use controlos de engenharia adequados, para reduzir ao mínimo as poeiras e os fumos no ar, e para minimizar a acumulação em equipamentos, superfícies, vestuário e partes do corpo. Exemplos de tais controlos incluem: sistemas de ventilação de saída e de recolha de poeira, pulverizações de água, e perfuração acompanhada de injeção de água. Controle poeiras e fumos na origem, sempre que possível. Certifique-se de que tais controlos estão correctamente instalados, em bom estado de manutenção, e que são correctamente usados.
- ▶ Ponha, faça a manutenção e use correctamente a protecção respiratória, conforme as instruções do seu empregador e conforme exigido pelos regulamentos de Saúde e Segurança. A protecção respiratória tem obrigatoriamente que ser eficaz para o tipo de substância em questão (e, se aplicável, que ser aprovada pela entidade governamental adequada).
- ▶ Trabalhe numa área bem ventilada.
- ▶ Se a máquina tiver um escape, dirija o escape por forma a reduzir a perturbação de poeiras num ambiente cheio de poeiras.
- ▶ Opere e faça a manutenção da máquina conforme recomendado nestas instruções de operação e segurança.
- ▶ Selecione, faça a manutenção e substitua consumíveis, ferramentas de inserção e outros acessórios conforme recomendado nas instruções de Operação e Segurança. A selecção incorrecta ou a falta de manutenção de consumíveis, ferramentas de inserção e outros acessórios pode causar um aumento desnecessário das poeiras ou dos fumos.
- ▶ Utilize vestuário lavável ou descartável no seu local de trabalho, e tome um duche e vista roupas lavadas antes de deixar o local de trabalho para reduzir a sua exposição a poeiras e fumos, assim como a de outras pessoas, carros, casas, e outras áreas.
- ▶ Evite comer, beber e usar produtos de tabaco em áreas onde haja poeiras ou fumos.
- ▶ Lave bem as suas mãos e a sua cara assim que possível depois de sair da área de exposição, e sempre antes de comer, beber, usar produtos de tabaco, ou entrar em contacto com outras pessoas.
- ▶ Cumpra todas as leis e regulamentos aplicáveis, incluindo regulamentos de Saúde e Segurança no Trabalho.
- ▶ Participe na monitorização do ar, em programas de exames médicos, e em programas de formação em segurança oferecidos pelo seu empregador ou por organizações laborais, e de acordo com os regulamentos e recomendações de Saúde e Segurança no trabalho. Seja consultado por médicos com experiência em medicina do trabalho do tipo relevante.
- ▶ Colabore com o seu empregador e com organizações laborais para reduzir a exposição a poeiras e fumos no local de trabalho e para reduzir os riscos. Com base no conselho de peritos de Saúde e Segurança, deverão ser definidos e implementados programas, políticas e procedimentos eficazes de Saúde e Segurança para a protecção dos trabalhadores e de terceiros contra a exposição prejudicial a poeiras e fumos. Aconselhe-se com peritos.

▲ ATENÇÃO Projéteis

Uma falha da peça de trabalho, dos acessórios, ou até mesmo da própria máquina, pode gerar projéteis de alta velocidade. Durante a operação da máquina, as lascas ou quaisquer outras partículas do material de trabalho podem tornar-se projéteis e provocar ferimentos pessoais, atingindo o operador ou quaisquer outras pessoas. Para reduzir estes riscos:

- ▶ Use equipamento pessoal de protecção e capacete de segurança, incluindo protecção para os olhos que seja resistente ao impacto e que tenha protecção lateral.
- ▶ Certifique-se de que não há pessoas não autorizadas na zona de trabalho.
- ▶ Mantenha o local de trabalho livre de objectos estranhos.
- ▶ Certifique-se de que a peça de trabalho está fixada de forma segura.

▲ ATENÇÃO Perigo de escorregar, tropeçar e cair

Há o perigo de escorregar e tropeçar ou cair, por exemplo tropeçar na mangueira da máquina ou noutros objectos. Escorregar ou tropeçar ou cair pode causar ferimentos. Para reduzir este risco:

- ▶ Certifique-se sempre que não há nenhuma mangueira ou outros objectos no seu caminho ou no caminho de outras pessoas.
- ▶ Certifique-se sempre de que está numa posição estável, e que mantém o peso do seu corpo em equilíbrio.

▲ ATENÇÃO Riscos de movimento

Quando usar a máquina para executar actividades relacionadas com o trabalho, pode sentir desconforto nas mãos, braços, ombros, pescoço, ou outras partes do corpo.

- ▶ Adopte uma postura confortável, ao mesmo tempo que mantém os pés bem apoiados e que evita posturas incómodas e em desequilíbrio.
- ▶ Mudar a postura durante a execução de tarefas prolongadas pode ajudar a evitar desconforto e fadiga.
- ▶ Em caso de sintomas persistentes ou recorrentes, consulte um profissional de saúde qualificado.

▲ ATENÇÃO Perigo de vibração

A utilização normal e correcta da máquina expõe o operador a vibrações. A exposição regular e frequente à vibração pode provocar, contribuir para, ou agravar lesões ou doenças nos dedos, mãos, pulsos, braços, ombros e/ou nervos e circulação sanguínea ou outras partes do corpo do operador, incluindo lesões ou doenças debilitantes e/ou permanentes que se podem desenvolver gradualmente ao longo de um período de semanas, meses ou anos. Tais lesões ou distúrbios podem incluir danos nos sistemas circulatório e nervoso, lesões nas articulações, e possíveis danos noutras estruturas corporais.

Se sentir entorpecimento, desconforto recorrente persistente, sensação de queimadura, rigidez, latejamento, formigueiros, dores, descoordenação, falta de força nas mãos, embranquecimento da pele, ou outros sintomas a qualquer altura quando utilizar a máquina, ou quando não a estiver a utilizar, não retome a utilização da máquina e consulte um médico. A utilização continuada da máquina após a ocorrência de tais sintomas pode aumentar o risco do agravamento e/ou permanência dos mesmos.

Faça a operação e manutenção da máquina conforme recomendado nestas instruções, para evitar um aumento desnecessário das vibrações.

Os seguintes passos podem ajudar a reduzir a exposição do operador às vibrações:

- ▶ Deixe a ferramenta fazer o trabalho. Faça o mínimo de força de aperto com as mãos: apenas o suficiente para garantir um bom controlo e a operação em segurança.
- ▶ Quando o mecanismo de percussão está activado, a única parte do seu corpo que deve estar em contacto com a máquina são as suas mãos sobre a pega ou pegas. Evite qualquer outro contacto, como por exemplo, apoiar qualquer parte do corpo contra a máquina, ou inclinar-se sobre a máquina para tentar aumentar a força de avanço. É também importante que não tenha o dispositivo de arranque e paragem activado enquanto tirar a ferramenta da superfície de trabalho.
- ▶ Utilizar um êmbolo desgastado irá ter como resultado tempos mais longos para terminar uma tarefa, e poderá ter como resultado a exposição a níveis de vibrações mais elevados. Certifique-se de o êmbolo recebe manutenção correcta e que não está desgastado. É também importante que seja usado um êmbolo afiado, para trabalhar com eficiência.

- ▶ Pare imediatamente de trabalhar se a máquina começar de repente a vibrar fortemente. Antes de voltar ao trabalho, certifique-se de que encontrou e corrigiu a causa do aumento de vibrações.
- ▶ Nunca agarre, pegue, nem toque no êmbolo enquanto a máquina estiver a trabalhar.
- ▶ Participe na vigilância ou monitorização do estado de saúde, em exames médicos e em programas de formação oferecidos pelo seu empregador, e quando exigido por lei.
- ▶ Quando trabalhar em condições de tempo frio, vista roupa quente e mantenha as mãos quentes e secas.

Veja a “Declaração de ruído e vibração” para a máquina, incluindo os valores declarados de vibrações. Estas informações estão no final destas instruções de Segurança e Operação.

- ◆ Siga as recomendações em termos de pressão de ar ao operar o equipamento. Tanto uma pressão de ar excessiva como insuficiente têm o potencial de resultar em elevados níveis de vibração.

▲ PERIGO Perigo eléctrico

A máquina não tem isolamento eléctrico. Se a máquina entrar em contacto com fontes de electricidade, isso pode provocar ferimentos graves ou morte.

- ▶ Nunca opere a máquina ao pé de qualquer cabo eléctrico, ou de outra fonte de electricidade.
- ▶ Certifique-se de que não existem cabos ocultos, ou quaisquer outras fontes de electricidade, na área de trabalho.

▲ ATENÇÃO Perigo de objectos ocultos

Durante a operação, os cabos e tubos ocultos constituem um perigo que pode provocar ferimentos graves.

- ▶ Verifique a composição do material antes de começar a usar a máquina.
- ▶ Tenha cuidado com cabos e tubos ocultos, por exemplo, de electricidade, telefone, água, gás, esgotos, etc.
- ▶ Se lhe parecer que o êmbolo atingiu um objecto oculto, desligue a máquina imediatamente.
- ▶ Antes de continuar, certifique-se de que não há qualquer perigo.

▲ ATENÇÃO Arranque involuntário

O arranque involuntário da máquina pode provocar ferimentos.

- ▶ Mantenha as mãos longe do dispositivo de arranque e paragem até estar pronto para dar arranque à máquina.
- ▶ Aprenda a como desligar a máquina em caso de emergência.
- ▶ Solte imediatamente o dispositivo de arranque/paragem em todos os casos de interrupção de alimentação de ar.
- ▶ Sempre que fizer manutenção à máquina, desligue a alimentação de ar, purgue a máquina premindo o dispositivo de arranque e paragem, e remova a alimentação de ar da máquina.

▲ ATENÇÃO Perigo de ruído

Níveis de ruído altos podem causar perda de audição permanente ou deficiência na audição, bem como outros problemas tais como tinnitus (campainhas, zumbidos, apitos ou barulhos surdos nos ouvidos). Para reduzir o risco e prevenir um aumento desnecessário nos níveis de ruído:

- ▶ É essencial a avaliação de risco destes perigos e a implementação de controlos adequados.
- ▶ Opere e faça a manutenção da ferramenta conforme recomendado nestas instruções.
- ▶ Seleccione, faça a manutenção e substitua a ferramenta de inserção conforme recomendado nestas instruções.
- ▶ Se a máquina tiver um silenciador, certifique-se de que está aplicado e que está em boas condições de funcionamento.
- ▶ Use sempre protecção para os ouvidos.
- ▶ Use material de amortecimento para evitar que as peças de trabalho “toquem” como uma campainha.

Manutenção, precauções

▲ ATENÇÃO Modificação da máquina

As modificações feitas à máquina poderão resultar em danos físicos para si ou terceiros.

- ▶ Nunca faça modificações à máquina. Máquinas modificadas não estão cobertas pela garantia nem pela responsabilidade do produto.
- ▶ Use sempre peças, ferramentas de inserção e acessórios originais.
- ▶ Mude imediatamente quaisquer peças danificadas.
- ▶ Substitua os componentes desgastados atempadamente.

▲ CUIDADO Êmbolo quente

A ponta do êmbolo pode ficar quente e afiada quando estiver a ser utilizada. Se lhe tocar, pode sofrer queimaduras e cortes.

- ▶ Nunca toque num êmbolo quente ou afiado.
- ▶ Espere até que o êmbolo tenha arrefecido, antes de fazer tarefas de manutenção.

Armazenamento, precauções

- ◆ Guarde a máquina e as ferramentas num local seguro, fora do alcance de crianças e trancado.

Visão geral

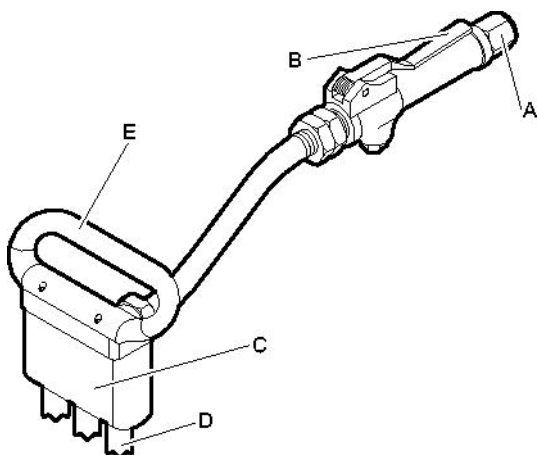
Para reduzir o risco de ferimentos graves ou morte para si ou para terceiros, antes de usar a máquina leia a secção das Instruções de Segurança, que está nas páginas anteriores deste manual.

Concepção e função

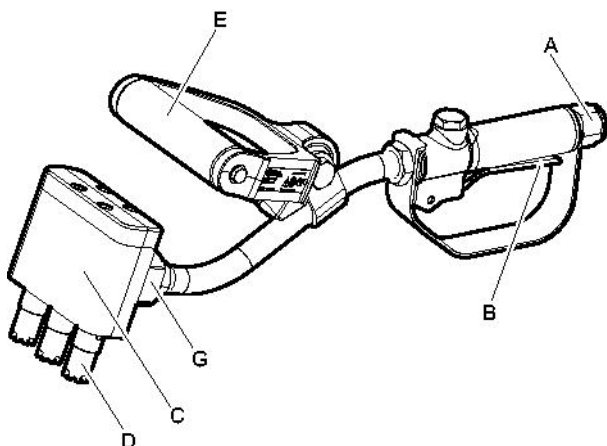
O CP 0006, CP 0006 SVR, e CP 0066 são máquinas concebidas para raspagem, enrugamento, ou remoção de betão. Também podem ser usadas para a remoção de ferrugem em superfícies de aço. A máquina pode ser utilizada tanto na horizontal como na vertical. Não é permitido outro tipo de uso.

Para escolher os êmbolos correctos, veja a lista de sobresselentes.

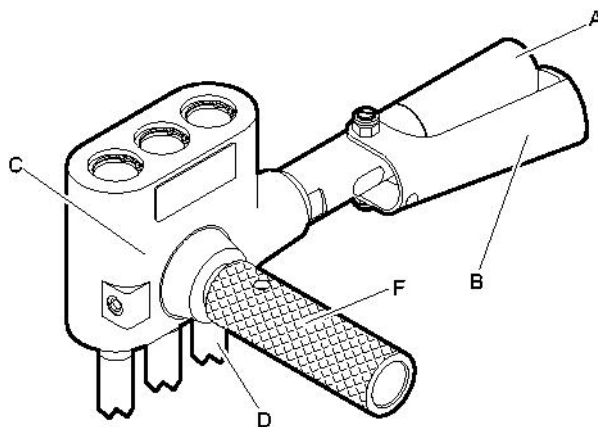
Peças principais



CP 0006



CP 0006 SVR



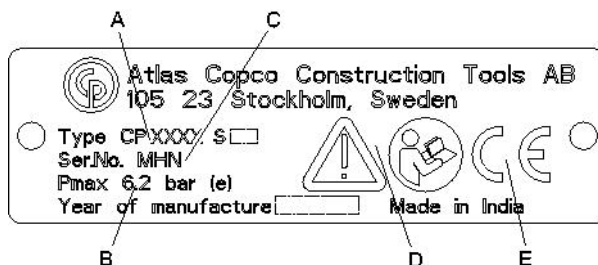
CP 0066

- A. Entrada de ar
- B. Dispositivo de início e paragem
- C. Cilindro
- D. Êmbolo
- E. Pega dianteira
- F. Pega lateral
- G. Articulação giratória

Autocolantes

A máquina está equipada com autocolantes que mostram informação importante sobre a segurança pessoal do operador e a manutenção da máquina. Os autocolantes devem estar em boas condições que permitam a sua leitura com facilidade. Novos autocolantes podem ser encomendados a partir da lista de peças sobresselentes.

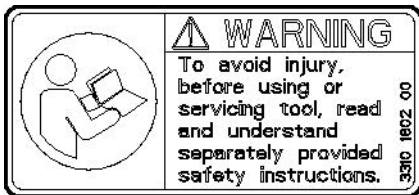
Placa de dados



- A. Tipo de máquina
- B. Pressão máxima permitida de ar comprimido
- C. Número de série

- D. O símbolo de atenção, juntamente com o símbolo de livro, significa que o utilizador tem que ler as instruções de segurança e operação antes de poder utilizar o equipamento pela primeira vez.
- E. O símbolo CE significa que a máquina está aprovada pela CE. Consulte a Declaração CE que é fornecida com o equipamento para obter mais informações. Se o símbolo CE não estiver presente, isso significa que a máquina não está aprovada pela CE.

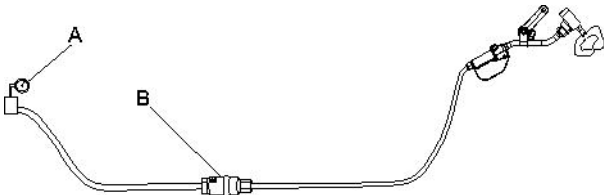
Autocolante de segurança



Para evitar ferimentos, antes de operar ou fazer manutenção na ferramenta, leia e compreenda as instruções de segurança, fornecidas em separado.

Instalação

Mangueiras e ligações



- A. Fonte de ar comprimido
- B. Separador de água (opcional)
- ◆ Certifique-se de que está a utilizar a pressão de operação correcta e recomendada, 87 psig (6 bar (e)).
- ◆ A pressão de ar máxima permitida, 90 psig (6,2 bar (e)), não pode nunca ser excedida.
- ◆ Sopre quaisquer impurezas para fora da mangueira de ar comprimido antes de a ligar à máquina.

- ◆ Seleccione a dimensão e o comprimento correctos para a mangueira de ar comprimido. Para mangueiras até 100 feet (30 metros) de comprimento, deverá ser usado um diâmetro interno mínimo de $\frac{3}{4}$ " (19 mm). Se a mangueira tiver entre 100 e 330 feet (30 e 100 metros) de comprimento, então deverá ser utilizada uma mangueira com um diâmetro interno mínimo de 1" (25 mm).
- ◆ Não lubrifique o êmbolo. Isso pode causar paragens não intencionais da máquina.
- ◆ Uma opção para tornar mais fácil a operação da máquina é usar uma mangueira de borracha com um diâmetro interno de $\frac{3}{8}$ " (9,5 mm) e 10 feet (3 m) de comprimento, o mais perto possível da máquina.

Conectar o separador de água

O comprimento da mangueira de ar entre o compressor e o separador de água tem de permitir que o vapor de água arrefeça e condense na mangueira antes de atingir o separador de água.

Se a temperatura ambiente for abaixo dos 32°F (0°C), a mangueira tem de ser suficientemente curta para prevenir que a água congele antes de atingir o separador de água.

Êmbolo

▲ CUIDADO Êmbolo quente

A ponta do êmbolo pode ficar quente e afiada quando estiver a ser utilizada. Se lhe tocar, pode sofrer queimaduras e cortes.

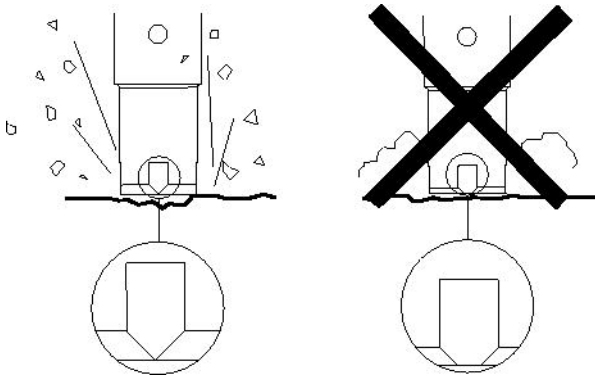
- ▶ Nunca toque num êmbolo quente ou afiado.
- ▶ Espere até que o êmbolo tenha arrefecido, antes de fazer tarefas de manutenção.

AVISO Nunca use água para arrefecer um êmbolo quente, porque isso pode causar fragilidade e falha prematura da peça.

▲ ATENÇÃO Perigo de vibração

Utilizar um êmbolo desgastado irá ter como resultado tempos mais longos para terminar uma tarefa, e poderá ter como resultado a exposição a níveis de vibrações mais elevados.

- ▶ Certifique-se de que o êmbolo recebe manutenção correcta e não está desgastado.
- ▶ Use sempre um êmbolo afiado, para trabalhar de forma eficiente.



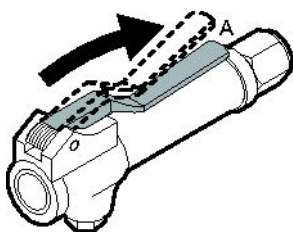
Operação

▲ ATENÇÃO Arranque involuntário

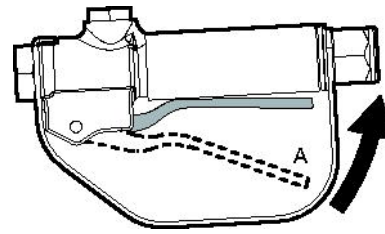
O arranque involuntário da máquina pode provocar ferimentos.

- ▶ Mantenha as mãos longe do dispositivo de arranque e paragem até estar pronto para dar arranque à máquina.
- ▶ Aprenda a como desligar a máquina em caso de emergência.
- ▶ Pare a máquina imediatamente em todos os casos de interrupção de alimentação.

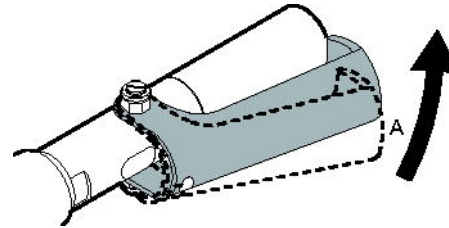
Arranque e paragem



CP 0006

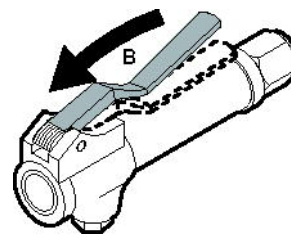


CP 0006 SVR

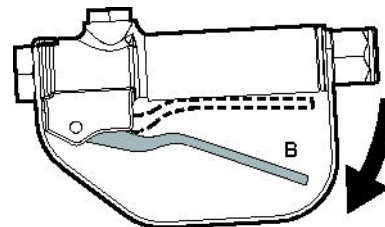


CP 0066

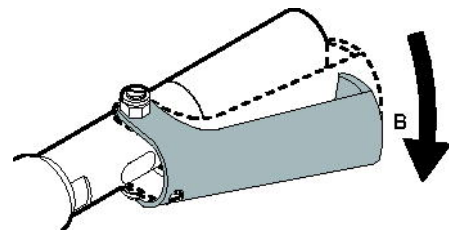
- ◆ Arranque a máquina apertando o gatilho (A) e mantendo firme a pega.



CP 0006



CP 0006 SVR



CP 0066

- ◆ Pare o equipamento, soltando o gatilho (B). O gatilho retorna, automaticamente, à posição de paragem.

Funcionamento

Iniciar um corte

- ◆ Ponha-se de pé numa posição estável, segurando o desbastador com as duas mãos.
- ◆ Antes de começar, pressione o desbastador ao de leve contra a superfície de trabalho.

Trabalhar

- ◆ Deixe a máquina fazer o seu trabalho; não empurre com demasiada força.
- ◆ Qualquer forma de trabalho em marcha lenta ou com a máquina desencostada da superfície de trabalho tem obrigatoriamente que ser evitada.
- ◆ Quando a máquina está desencostada, não pode nunca ser activado o dispositivo de arranque e paragem.
- ◆ Certifique-se de que o ar comprimido é limpo, seco e livre de lubrificante.

Ao fazer uma pausa

- ◆ Durante todas as pausas, terá de pôr a máquina numa posição em que não haja risco de arranque accidental. Certifique-se de que põe a máquina no chão, de maneira a que não possa cair.
- ◆ Na eventualidade de um intervalo de maior duração ou quando sair do local de trabalho: desligue a alimentação e, em seguida, purgue a máquina, activando o dispositivo de arranque/paragem.

Manutenção

Fazer manutenção regular à máquina é essencial para que a máquina possa continuar a ser utilizada com eficiência e em segurança. Siga cuidadosamente as instruções de manutenção.

- ◆ Antes de começar a manutenção da máquina, limpe-a para evitar exposição a substâncias perigosas. Veja “Perigos de poeiras e fumos”
- ◆ Utilize só peças autorizadas. Quaisquer danos ou mau funcionamento causados pela utilização de peças não autorizadas não estão cobertos pela Garantia ou pela Responsabilidade Legal do Produto.
- ◆ Quando limpar peças mecânicas com solvente, cumpra os regulamentos apropriados de Saúde e Segurança, e certifique-se de que há ventilação suficiente.
- ◆ Para fazer uma grande revisão/reparação à máquina, contacte a sua oficina autorizada mais próxima.
- ◆ Depois de cada assistência, certifique-se de que o nível de vibração da máquina é normal. Se não for, contacte a sua oficina autorizada mais próxima.

Diariamente

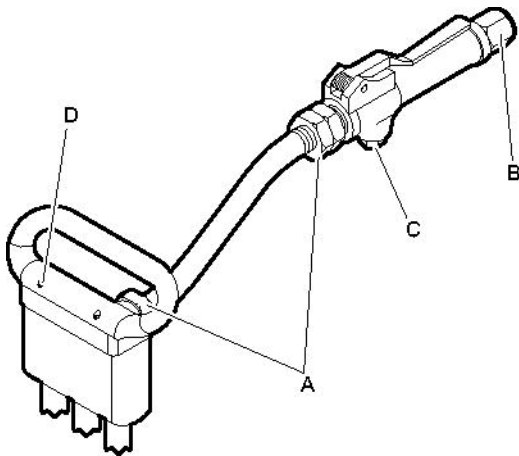
- ◆ Antes de efectuar qualquer tarefa de manutenção ou de mudança do êmbolo no desbastador, desligue sempre o fornecimento de ar, purgue o equipamento pressionando o dispositivo de activação e desactivação e, em seguida, remova a mangueira de ar da máquina.
- ◆ Limpe e inspecione a máquina e o respectivo funcionamento todos os dias, antes de começar o trabalho.
- ◆ Faça uma inspecção geral, procurando fugas e danos.
- ◆ Verifique se o bocal de entrada de ar está bem apertado, e se o acoplamento de gancho não está danificado.
- ◆ Se a máquina tiver uma pega de redução de vibração, certifique-se de que se desloca livremente (para cima e para baixo) e que não encrava.
- ◆ Certifique-se de que a articulação giratória se desloca livremente e que não encrava.
- ◆ Verifique o estado do casquilho de borracha.
- ◆ Mude imediatamente quaisquer peças danificadas.
- ◆ Substitua atempadamente os componentes desgastados.

- ◆ Certifique-se de que todos os equipamentos anexos e relacionados, como as mangueiras e os separadores de água, recebem a manutenção adequada.

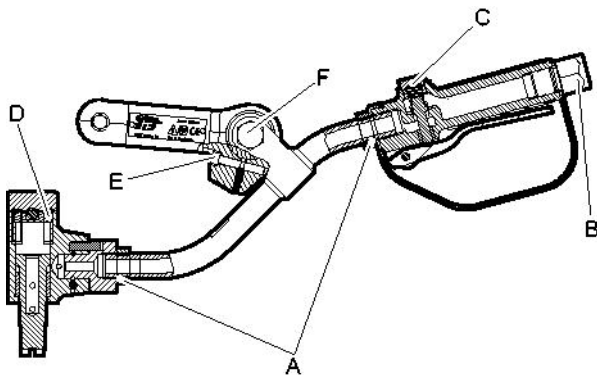
Manutenção periódica

Depois de cada período de funcionamento de aproximadamente 100 horas de impacto ou 3 vezes por ano, o equipamento deve ser desmontado e todas as peças devem ser limpas e verificadas. Este trabalho tem que ser realizado por pessoal autorizado e qualificado para o efeito.

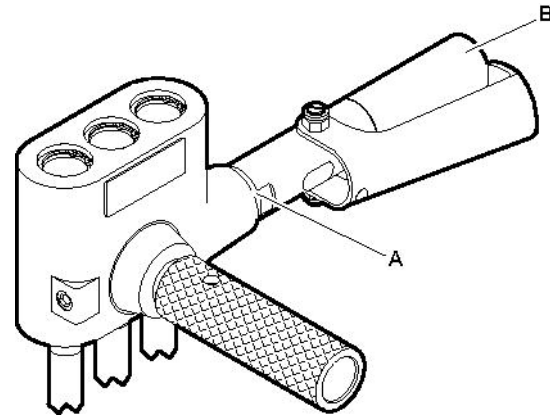
Instruções de montagem



CP 0006



CP 0006 SVR



CP 0066

- A. Binário: 35-40 lbf.ft (47-54 Nm), use Loctite® 542™. (Loctite é uma marca registada da Henkel Corporation. 542 é uma marca registada da Henkel Corporation.)
- B. Binário: 50-60 lbf.ft (68-81 Nm), use Loctite® 542™.
- C. Binário: 60-70 lbf.ft (81-95 Nm), use Loctite® 542™.
- D. Binário: 15-16 lbf.ft (20-22 Nm), use Loctite® 242™. (Loctite é uma marca registada da Henkel Corporation. 242 é uma marca registada da Henkel Corporation.)
- E. Binário: 13 lbf.ft (17 Nm).
- F. Binário: 44-52 lbf.ft (60-70 Nm).

Diagnóstico e reparação de avarias

Caso o desbastador não arranque, tenha pouca potência ou um desempenho irregular, verifique os pontos seguintes.

- ◆ Certifique-se de que o êmbolo e o cilindro estão limpos e secos.
- ◆ Certifique-se de que o sistema de ar comprimido fornece à máquina uma pressão de ar suficiente para alcançar a potência total.
- ◆ Certifique-se de que o diâmetro e o comprimento da mangueira de ar estão de acordo com as recomendações. Consulte “Instalação”.
- ◆ Caso exista risco de congelamento, certifique-se de que as portas de escape da máquina não se encontram bloqueadas.

Se o funcionamento da máquina ainda não for satisfatório depois deste procedimento, contacte uma oficina de assistência autorizada.

Armazenamento

- > Limpe bem a máquina antes de a armazenar, para evitar substâncias perigosas. Consulte “Perigos de poeiras e de fumos”.
- > Armazene sempre a máquina num lugar seco.

Abate

Uma máquina abatida deve ser tratada e eliminada de maneira a que maior parte possível do seu material possa ser reciclada, e que qualquer influência negativa sobre o meio-ambiente seja mantida ao nível mais baixo possível, e em conformidade com as restrições locais.

Dados técnicos

Dados da máquina

Tipo	Peso lb (kg)	Comprimento in. (mm)	Frequência do impacto Hz	Consumo de ar foot ³ /min (l/s)
CP 0006	10 (4,5)	16 ½ (411)	50	27 ½ (13)
CP 0006 SVR	15 (6,8)	20 (510)	51	27 ½ (13)
CP 0066	10 (4,5)	11 (280)	50	27 ½ (13)

Declaração de ruído e vibração

Nível de ruído garantido **L_w** de acordo com a ISO 3744 e em conformidade com a directiva 2000/14/CE.

Nível de pressão sonora **L_p** de acordo com a ISO 11203.

Valores das vibrações **A** e incerteza **B** determinado de acordo com ISO 20643. Ver a tabela “Dados de ruído e vibração” para os valores de A, B, etc.

Estes valores declarados foram obtidos por meio de ensaios laboratoriais de acordo com a directiva ou as normas declaradas e são adequados para comparação com os valores declarados de outras ferramentas testadas de acordo com as mesmas directivas ou normas. Estes valores declarados não são adequados para utilização em avaliações de risco, e os valores medidos em locais de trabalho individuais podem ser mais elevados. Os valores reais de exposição e o risco para o utilizador individual são únicos e dependem do modo como o utilizador trabalha, do material em que o equipamento é utilizado, bem como do tempo de exposição e do estado físico do utilizador, e das condições da máquina.

Nós, na Atlas Copco Construction Tools AB, não podemos ser considerados responsáveis pelas consequências de usar os valores declarados em vez de valores que reflectam a exposição real na avaliação de riscos pessoais numa situação de trabalho sobre a qual não temos qualquer controlo.

Esta ferramenta poderá provocar síndrome de vibração da mão-braço, se a respectiva utilização não for gerida correctamente. Pode ser encontrada uma guia da CE para gerir a vibração da mão-braço em <http://www.humanvibration.com/EU/VIBGUIDE.htm>

Recomendamos um programa de supervisão médica para detectar atempadamente possíveis sintomas que possam estar relacionados com a exposição a vibrações, permitindo modificar os procedimentos de gestão para ajudar a evitar uma futura deficiência.

Dados sobre o ruído e vibrações

Tipo	Ruído		Vibração	
	Valores declarados		Valores declarados	
	Pressão sonora	Potência sonora	Valores dos três eixos	
	ISO 11203	2000/14/CE	ISO 20643	
	L_p r=1m dB(A) rel 20µPa	L_w garantido dB(A) rel 1pW	A m/s ² valor	B m/s ² dispersões
CP 0006	92	N/A	23,1	2,8
CP 0006 SVR	92	N/A	7,1	1,2
CP 0066	-	N/A	12,8	1,8

Declaração de Conformidade da CE

Declaração de Conformidade da CE (Directiva da CE 2006/42/CE)

Nós, Atlas Copco Construction Tools AB, declaramos pela presente que as máquinas listadas abaixo se encontram em conformidade com as provisões da Directiva 2006/42/CE da CE (Directiva de Maquinaria), e com as normas harmonizadas mencionadas abaixo.

Desbastadores pneumáticos manuais	Pmax (bar)
CP 0006	6.2
CP 0006 SVR	6.2
CP 0066	6.2

Foram aplicadas as seguintes normas harmonizadas:

- ◆ ISO/FDIS 11148-4

Representante autorizado para Documentação Técnica:

Erik Sigfridsson
Atlas Copco Construction Tools AB
Dragonvägen 2
Kalmar

Director Geral:

Erik Sigfridsson

Fabricante:

Atlas Copco Construction Tools AB
105 23 Stockholm
Sweden

Local e data:

Kalmar, 2010-01-01

ITALIANO

Indice

Introduzione	85
Informazioni sulle istruzioni per la sicurezza e per l'uso	85
Norme di sicurezza	86
Terminologia di sicurezza	86
Precauzioni e qualifiche personali	86
Installazione, precauzioni	86
Funzionamento, precauzioni	87
Manutenzione, precauzioni	90
Conservazione, precauzioni	91
Avvertenze	92
Modello e funzioni	92
Parti principali	92
Etichette	92
Installazione	93
Tubi e collegamenti	93
Collegamento del separatore di condensa	93
Pistone	93
Funzionamento	94
Avviamento e arresto	94
Condizioni di esercizio	95
Durante le pause della lavorazione	95
Manutenzione	95
Giornaliera	95
Manutenzione periodica	96
Istruzioni per il montaggio	96
Ricerca dei guasti	96
Immagazzinamento	96
Smaltimento	97
Dati tecnici	98
Dati della macchina	98
Dichiarazione in materia di rumore e vibrazioni	98
Dati su rumore e vibrazioni	98
Dichiarazione di conformità CE	99
Dichiarazione di conformità CE (Direttiva CE 2006/42/CE)	99

Introduzione

Grazie per aver scelto i prodotti Chicago Pneumatic. per oltre un secolo, il marchio Chicago Pneumatic ha significato prestazioni e innovazione nel settore degli strumenti pneumatici.

Oggi il marchio è diffuso in tutto il mondo e offre una vasta gamma di utensili pneumatici e idraulici, quali demolitori, perforatrici, martelli scalpellatori, escavatori per argilla, picconatori e dissodatori, scalpellatori, pompe e molto altro ancora.

Il marchio Chicago Pneumatic è associato a prodotti potenti e affidabili, di facile manutenzione, che danno valore al denaro del cliente.

Per ulteriori informazioni si prega di visitare il sito www.cp.com

Atlas Copco Construction Tools AB
105 23 Stockholm
Svezia

Informazioni sulle istruzioni per la sicurezza e per l'uso

Scopo di queste istruzioni è fornire le conoscenze per un uso sicuro ed efficiente della scarificatrice pneumatica. Tali istruzioni offriranno inoltre consigli e indicazioni su come eseguire la normale manutenzione della scarificatrice pneumatica.

Quando ci si accinge a utilizzare la scarificatrice pneumatica per la prima volta, leggere queste istruzioni attentamente e accertarsi di averle comprese perfettamente.

Norme di sicurezza

Per ridurre il rischio di lesioni gravi o morte, per se stessi o altre persone, leggere e comprendere le istruzioni sulla sicurezza e l'uso prima di installare, utilizzare, riparare la macchina, eseguirne la manutenzione o modificare gli accessori della macchina.

Affiggere queste istruzioni per la sicurezza e l'uso nelle sedi di lavoro, fornirne copia agli addetti e assicurarsi che tutti le leggano prima di procedere all'uso o alla manutenzione della macchina.

Inoltre, l'operatore o il proprio datore di lavoro dovrebbero valutare i rischi specifici che potrebbero essere presenti come conseguenza di ciascun utilizzo della macchina.

Terminologia di sicurezza

Le parole Pericolo, Attenzione e Prudenza hanno i seguenti significati:

PERICOLO	Indica una situazione di pericolo che, qualora non sia evitata, può provocare gravi lesioni personali o morte.
ATTENZIONE	Indica una situazione di pericolo che, qualora non sia evitata, può provocare gravi lesioni personali o morte.
PRUDENZA	Indica una situazione di pericolo che, qualora non sia evitata, può provocare lievi lesioni personali o di modesta entità.

Precauzioni e qualifiche personali

L'uso e la manutenzione della macchina sono riservati esclusivamente a personale addestrato e qualificato. Questo deve essere in grado di gestire fisicamente la massa, il peso e la potenza dell'utensile. Utilizzare sempre le regole del buon senso.

Dispositivi di protezione personale

Utilizzare sempre dispositivi di protezione approvati. Gli operatori e tutte le altre persone presenti nella zona di lavoro devono indossare i dispositivi di protezione, che comprenderanno almeno:

- > Elmetto protettivo
- > Protezione acustica
- > occhiali di sicurezza resistenti agli urti con protezioni laterali
- > protezione delle vie respiratorie, se necessario
- > guanti protettivi
- > calzature protettive adeguate
- > Camice da lavoro idoneo o abbigliamento simile (non largo) che copra braccia e gambe.

Droghe, sostanze alcoliche o farmaci

▲ AVVERTENZA Droghe, sostanze alcoliche o farmaci

Droghe, sostanze alcoliche o farmaci possono compromettere il proprio giudizio e la capacità di concentrazione. Scarsa reattività e valutazioni imprecise possono causare gravi incidenti o morte.

- ▶ Non utilizzare mai la macchina qualora si sia estremamente stanchi o sotto l'effetto di droghe, sostanze alcoliche o farmaci.
- ▶ Persone sotto l'effetto di droghe, sostanze alcoliche o farmaci non possono utilizzare la macchina.

Installazione, precauzioni

▲ PERICOLO Colpo di frusta del tubo dell'aria

Un tubo ad aria compressa che si scolleghi può avere dei movimenti sferzanti e causare lesioni personali o la morte. Per ridurre tali rischi:

- ▶ Verificare che il tubo flessibile e i collegamenti per l'aria compressa non siano danneggiati, sostituire se necessario.
- ▶ Verificare che tutti i collegamenti per l'aria compressa siano corretti.
- ▶ Non trasportare mai la macchina pneumatica dal tubo dell'aria.
- ▶ non tentare mai di scollegare un tubo ad aria compressa quando è pressurizzato; Interrompere innanzi tutto l'aria compressa sul compressore e spurgare la macchina attivando il dispositivo di avviamento e arresto.

- ▶ Non orientare il tubo flessibile per aria compressa verso se stessi o altri. Per evitare il rischio di lesioni, non utilizzare mai l'aria compressa per eliminare ad es. polvere, sporco ecc. dagli abiti.
- ▶ Non utilizzare raccordi a sgancio rapido sull'ingresso dell'utensile. Utilizzare raccordi filettati dei tubi in acciaio temprato (o materiale con una equivalente resistenza all'urto).
- ▶ Ogni volta che si utilizzano innesti girevoli universali (raccordi istantanei) raccomandiamo di montare perni di blocco e di utilizzare cavi di sicurezza contro i colpi di frusta per evitare eventuali problemi di collegamento tubo-utensile e tubo-tubo.
- ▶ Non colpire né utilizzare impropriamente l'attrezzatura.
- ▶ Verificare regolarmente che il pistone non sia usurato e controllarlo in caso di rischio di danni o rotture evidenti.
- ▶ Prestare sempre la massima attenzione durante il lavoro.

Funzionamento, precauzioni

▲ PERICOLO Rischio di esplosione

Qualora un pistone venga a contatto con sostanze o gas esplosivi vi è il rischio di esplosioni. Durante il funzionamento su determinati materiali nonché quando si usano determinati materiali possono verificarsi scintille e incendi. Eventuali esplosioni causerebbero lesioni gravi o morte.

- ▶ Non utilizzare la macchina in ambienti esplosivi.
- ▶ Non utilizzare mai la macchina in prossimità di materiali, vapori e polveri infiammabili.
- ▶ Accertarsi che non siano presenti fonti di gas o esplosivi non rilevati.

▲ AVVERTENZA Movimenti inattesi

Il pistone è soggetto a notevoli sollecitazioni durante l'uso della macchina. Dopo un certo periodo di utilizzo il pistone può rompersi in seguito all'usura. In caso di rottura o di blocco del pistone, potrebbe verificarsi un movimento improvviso o inaspettato con possibile rischio di lesioni. Perdite di equilibrio o scivolamenti, inoltre, possono provocare gravi lesioni personali.

- ▶ Operare sempre in posizione stabile e con il peso del corpo ben bilanciato.
- ▶ Ispezionare sempre l'attrezzatura prima dell'uso. Non utilizzare l'attrezzatura se si sospetta che sia danneggiata.
- ▶ Accertarsi che le impugnature siano pulite e prive di olio e grasso.
- ▶ Tenere lontani mani e piedi dal pistone.
- ▶ Afferrare sempre saldamente la macchina con entrambe le mani;

▲ AVVERTENZA Rischi correlati alla polvere e ai fumi

Polvere e/o fumi generati o dispersi quando si utilizza la macchina potrebbero provocare patologie respiratorie serie e permanenti, malattie, o altre lesioni corporee (ad esempio, silicosi o altre patologie polmonari irreversibili che possono essere fatali, cancro, patologia neonatali, e/o infiammazioni cutanee).

Alcune polveri, fumi prodotti da perforazione, frantumazione, demolizione, taglio, rettifica e altre attività di costruzione, contengono sostanze note presso lo Stato della California e altre autorità come cancerogene e portatrici di patologie respiratorie, difetti neonatali o altri danni correlati alla riproduzione. Tra queste sostanze vi sono, a titolo esemplificativo:

- > silice cristallina, cemento e altri prodotti per l'edilizia.
- > Arsenico e cromo derivati da gomma trattata chimicamente.
- > Vernici a base di piombo.

Polveri e fumi possono essere invisibili all'occhio nudo, quindi non affidarsi alla vista per determinare la presenza di polveri o fumi nell'aria.

Per ridurre il rischio di esposizione a polveri e fumi, agire come segue:

- ▶ Eseguire una valutazione del rischio specifica per il sito. La valutazione dei rischi deve includere le polveri e i fumi creati dall'impiego della macchina e il potenziale di disturbo delle polveri esistenti.
- ▶ Utilizzare controlli strutturali adeguati per ridurre al minimo la quantità di polveri e fumi nell'aria e per ridurre al minimo l'accumulo su attrezzatura, superfici e parti del corpo. Alcuni esempi di controlli sono: sistemi di ventilazione d'estrazione e di raccolta delle polveri, spruzzi d'acqua e perforazione a umido. Controllare polveri e fumi alla fonte, ove possibile. Accertarsi che questi controlli siano adeguatamente installati, sottoposti a manutenzione e utilizzati correttamente.
- ▶ Indossare, sottoporre a manutenzione e utilizzare correttamente protezioni della respirazione come indicato dal datore di lavoro e come richiesto dalle norme sulla sicurezza e la salute sul lavoro. Le protezioni delle vie respiratorie devono essere idonee alle sostanze in questione (e se applicabile autorità governative rilevanti).
- ▶ Lavorare in un'area ben ventilata.

- ▶ Se la macchina ha uno scarico, dirigerlo in modo tale da ridurre il disturbo delle polveri in un ambiente polveroso.
- ▶ Utilizzare e sottoporre a manutenzione la macchina come indicato nelle istruzioni per l'uso e al sicurezza.
- ▶ Scegliere, sottoporre a manutenzione e sostituire gli utensili di inserimento/prodotti di consumo come indicato nelle istruzioni per l'uso e la sicurezza. La scelta errata o la mancanza di manutenzione degli utensili di inserimento/prodotti di consumo/altri accessori potrebbe provocare un aumento delle polveri o dei fumi.
- ▶ Indossare indumenti protettivi lavabili o monouso sul luogo di lavoro e fare la doccia e indossare indumenti puliti prima di lasciare il luogo di lavoro per ridurre l'esposizione alle polveri e ai fumi a se stesso e quella di altre persone, automobili, abitazioni e altre aree.
- ▶ Non mangiare, bere né fare uso di prodotti a base di tabacco in presenza di polveri e fumi.
- ▶ Lavarsi appena possibile accuratamente le mani e il viso quando si esce dall'area di esposizione e sempre prima di mangiare, bere, usare prodotti del tabacco e di entrare in contatto con altre persone.
- ▶ Rispettare tutte le leggi e le normative applicabili, incluse quelle sulla sicurezza e la salute sul lavoro.
- ▶ Partecipare al monitoraggio dell'aria, alle visite mediche programmate e ai corsi di formazione sulla salute e e sulla sicurezza offerti dal proprio datore di lavoro o dall'azienda e in conformità con le normative e le raccomandazioni sulla sicurezza e la salute sul lavoro. Consultare medici esperti in medicina del lavoro.
- ▶ Lavorare con il proprio datore di lavoro e il sindacato per ridurre l'esposizione a polveri e fumi sul posto di lavoro e per ridurre i rischi. Sulla base dei consigli di esperti sulla sicurezza e sulla salute, definire e implementare programmi, politiche e procedure sulla sicurezza e la salute per proteggere i lavoratori e gli altri dall'esposizione pericolosa a polveri e fumi. Consultare gli esperti.

▲ AVVERTENZA Proiettili

Guasti a livello dell'utensile, degli accessori o perfino della macchina stessa, possono generare proiettili ad alta velocità. Durante il funzionamento, schegge o altre particelle di materiale di lavoro possono trasformarsi in proiettili e causare lesioni fisiche, colpendo l'operatore o altre persone. Per ridurre tali rischi:

- ▶ Utilizzare dispositivi di protezione individuali e elmetto di sicurezza omologati, ad esempio occhiali di sicurezza resistenti agli urti con protezioni laterali.
- ▶ Assicurarsi che persone non autorizzate non si introducano nella zona di lavoro.
- ▶ Mantenere il luogo di lavoro privo di corpi estranei.
- ▶ Accertarsi che il pezzo da lavorare sia ben fissato.

▲ AVVERTENZA Pericoli di scivolamento, inciampo e caduta

Esiste un rischio di scivolamento, inciampo e caduta per esempio inciampo sui cavi della macchina o su altri oggetti. Scivolamento, inciampo e caduta possono causare lesioni. Per ridurre tali rischi:

- ▶ Accertarsi sempre che non vi siano cavi o altri oggetti che ostacolano il cammino dell'utente o di altri.
- ▶ Operare sempre in posizione stabile e con il peso del corpo ben bilanciato.

▲ AVVERTENZA Rischi correlati al movimento

Quando si utilizza la macchina per eseguire attività collegate al lavoro, potrebbe verificarsi fastidio a mani, braccia, spalle, collo o altre parti del corpo.

- ▶ Adottare una postura comoda mantenendo una presa sicura ed evitare strane posture sbilanciate.
- ▶ Il cambio di postura durante lavori prolungati può aiutare a ridurre il fastidio e la fatica.
- ▶ In caso di sintomi persistenti o ricorrenti, consultare un medico professionista qualificato.

▲ AVVERTENZA Rischi correlati alle vibrazioni

L'uso normale e corretto della macchina espone l'operatore a vibrazioni. Un'esposizione regolare e frequente alle vibrazioni può causare o aggravare, anche solo in parte, lesioni o disturbi a dita, mani, polsi, braccia, spalle e/o nervi e vasi o altre parti del corpo dell'operatore, comprese lesioni o disturbi debilitanti e/o permanenti, che potrebbero svilupparsi gradualmente, nel corso di settimane, mesi o perfino anni. Tali lesioni o disturbi possono provocare danni al sistema circolatorio, sistema nervoso, articolazioni e anche ad altre parti dell'organismo.

Se in un qualunque momento dovessero manifestarsi sintomi quali intorpidimento, fastidio prolungato e ricorrente, sensazione di bruciore, rigidità, formicolio, fitte, indebolimento della presa, dolore, pallore o altro, che si stia utilizzando la macchina o meno, non riprenderne l'uso e rivolgersi a un medico. La prosecuzione nell'utilizzo della macchina dopo il verificarsi di uno di tali sintomi aumenta il rischio che esso diventi più grave e/o permanente. Far funzionare ed eseguire la manutenzione sulla macchina come raccomandato in queste istruzioni per impedire un aumento non necessario delle vibrazioni.

Per ridurre l'esposizione dell'operatore alle vibrazioni, adottare le seguenti precauzioni:

- ▶ lasciare che sia l'utensile a eseguire il lavoro. Utilizzare una presa minima sufficiente al controllo corretto e al funzionamento sicuro.
- ▶ Quando è attivato il meccanismo di percussione, il solo contatto che il corpo dell'operatore deve avere con la macchina è delle mani sull'impugnatura/impugnature. Evitare altro contatto, ad es. addossando una parte del corpo alla macchina o appoggiandovisi per aumentare la forza di avanzamento. Inoltre è importante mantenere il dispositivo di avviamento e di arresto non innestato durante l'estrazione dell'utensile dalla superficie di lavoro.
- ▶ Un pistone usurato impiega più tempo a compiere un'operazione e può causare livelli più alti di esposizione alle vibrazioni. Assicurarsi che il pistone sia sottoposto a corretta manutenzione e non usurato. Per poter lavorare bene è anche importante utilizzare un pistone affilato.
- ▶ Interrompere immediatamente il lavoro se la macchina improvvisamente inizia a vibrare eccessivamente. Prima di riprendere il lavoro, individuare e rimuovere la causa dell'aumento delle vibrazioni.

- ▶ Non afferrare mai o toccare il pistone con la macchina in funzione.
- ▶ Partecipare a sorveglianza o monitoraggio sanitario, esami medici e programmi di formazione resi disponibili dal proprio datore di lavoro e quando richiesto dalla legge.
- ▶ Quando si lavora al freddo, indossare indumenti caldi e tenere sempre le mani calde e asciutte.

Vedere la “Dichiarazione in materia di rumore e vibrazioni” per quanto concerne la macchina, compresi i valori di vibrazione dichiarati. Queste informazioni si trovano al termine di queste istruzioni per la sicurezza e per l'uso.

- ◆ Nell'utilizzare la macchina, adottare la pressione dell'aria raccomandata. Una pressione dell'aria maggiore o inferiore può causare livelli più alti di vibrazioni.

▲ PERICOLO Pericolo elettrico

La macchina non è isolata elettricamente. In caso di contatto della macchina con l'elettricità possono derivarne lesioni personali gravi o morte.

- ▶ Non mettere mai in funzione la macchina vicino a cavi elettrici o ad altre fonti di elettricità.
- ▶ Accertarsi che non siano presenti cavi nascosti o altre sorgenti elettriche nella zona di lavoro.

▲ AVVERTENZA Pericoli correlati a oggetti nascosti

Durante il funzionamento, cavi e tubi nascosti possono provocare gravi lesioni personali.

- ▶ Prima del funzionamento, verificare la composizione del materiale della macchina.
- ▶ Accertarsi che non vi siano cavi e condutture nascosti, ad es. di elettricità, linee telefoniche, acqua, gas e acque di rifiuto, ecc.
- ▶ Qualora si sospetti che il pistone abbia urtato un oggetto nascosto, spegnere immediatamente la macchina.
- ▶ Accertarsi che non vi siano pericoli prima di continuare.

▲ AVVERTENZA Avviamento accidentale

L'avviamento accidentale della macchina può provocare gravi lesioni personali.

- ▶ Tenere lontane le mani dal dispositivo di avviamento ed arresto fino a quando l'operatore non è pronto ad avviare la macchina.
- ▶ Imparare come fermare la macchina in caso di emergenza.
- ▶ Rilasciare immediatamente il dispositivo di avviamento e arresto in caso di interruzione di corrente.
- ▶ Per la manutenzione sulla macchina, disattivare l'alimentazione pneumatica, premendo il dispositivo di avvio e arresto e scollegare la macchina dalla sorgente di alimentazione.

▲ AVVERTENZA Rischio correlato al rumore

Elevati livelli di rumore possono causare una perdita dell'udito permanente e disabilitante, nonché altri problemi quali acufeni (fischi, ronzii, crepitii nelle orecchie). Per ridurre i rischi ed evitare qualsiasi inutile aumento dei livelli di rumore:

- ▶ La valutazione del rischio e l'implementazione di adeguati controlli sono fondamentali.
- ▶ Utilizzare e sottoporre a manutenzione la macchina come indicato nelle presenti istruzioni.
- ▶ Scegliere, sottoporre a manutenzione e sostituire l'utensile di inserimento come indicato nelle presenti istruzioni.
- ▶ Se la macchina è dotata di un silenziatore, assicurarsi che sia in posizione e in buone condizioni.
- ▶ Utilizzare sempre protezioni acustiche.
- ▶ Utilizzare materiale di smorzamento per evitare che i pezzi lavorati “suonino”.

Manutenzione, precauzioni

▲ AVVERTENZA Modifica della macchina

Eventuali modifiche alla macchina possono causare lesioni personali all'operatore e ad altre persone.

- ▶ Non modificare mai la macchina. Le macchine modificate non sono coperte da garanzia o responsabilità sul prodotto.
- ▶ Utilizzare sempre ricambi, utensili d'inserimento ed accessori originali.
- ▶ Sostituire immediatamente i pezzi danneggiati.

- ▶ Sostituire tempestivamente i componenti usurati.

▲ ATTENZIONE Pistone caldo

La punta del pistone potrebbe riscaldarsi e potrebbe affilarsi quando viene utilizzata. Il contatto con la punta può causare ustioni e tagli.

- ▶ Non toccare mai un pistone quando è caldo o tagliente.
- ▶ Attendere che il pistone si sia raffreddato prima di eseguire qualsiasi intervento di manutenzione.

Conservazione, precauzioni

- ◆ La macchina e gli utensili devono essere conservati in un luogo sicuro e fuori dalla portata dei bambini, chiuso a chiave.

Avvertenze

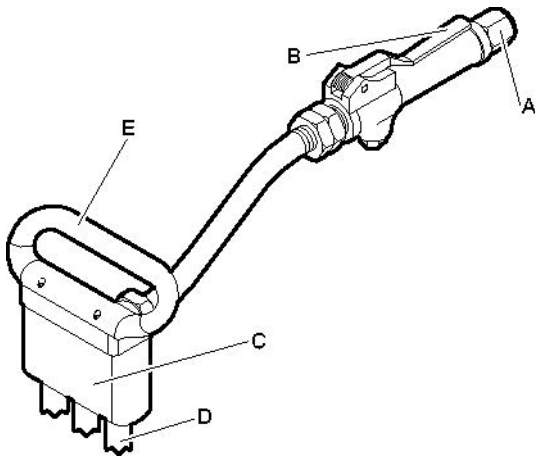
Per ridurre il rischio di lesioni gravi o morte, per se stessi o altre persone, prima di utilizzare la macchina leggere la sezione delle istruzioni sulla sicurezza che si trova nelle prime pagine di questo manuale.

Modello e funzioni

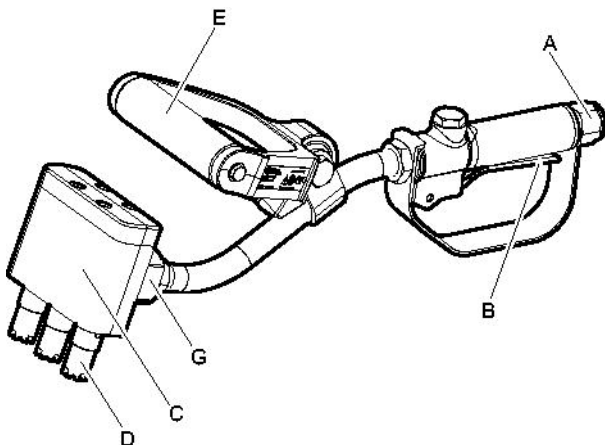
CP 0006, CP 0006 SVR, e CP 0066 sono macchine concepite per la disincrostazione, l'irruvidimento o la rimozione del calcestruzzo. Possono essere utilizzate anche per la rimozione di ruggine da superfici in acciaio. È possibile utilizzare la macchina sia orizzontalmente sia verticalmente. Non è consentito uso diverso da quello indicato.

Per scegliere il pistone corretto, fare riferimento all'elenco delle parti di ricambio.

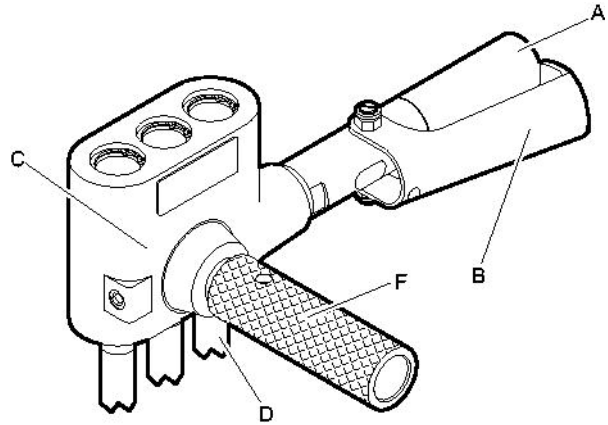
Parti principali



CP 0006



CP 0006 SVR



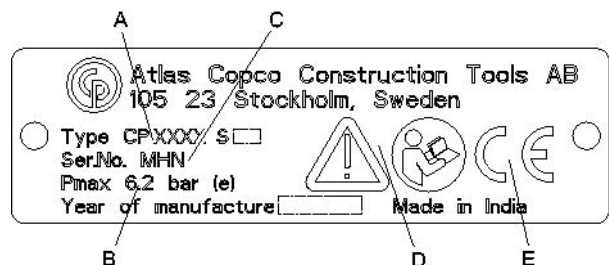
CP 0066

- A. Ingresso aria
- B. Dispositivo di avviamento e arresto
- C. Cilindro
- D. Pistone
- E. Impugnatura anteriore
- F. Impugnatura laterale
- G. Raccordo orientabile

Etichette

Sulla macchina sono apposte etichette contenenti informazioni importanti per la sicurezza dell'operatore e la manutenzione della macchina. Le condizioni delle etichette devono essere tali da consentirne una facile lettura. È possibile ordinare nuove etichette facendo riferimento all'elenco dei pezzi di ricambio.

Targhetta dei dati



- A. Tipo di macchina
- B. Pressione pneumatica massima consentita
- C. Numero di serie

- D. Il simbolo di attenzione insieme al simbolo del libro indicano che occorre leggere le Istruzioni per la sicurezza e per l'uso quando ci si accinge a utilizzare la macchina per la prima volta.
- E. Il simbolo CE indica che la macchina è approvata dalla CE. Per ulteriori informazioni, consultare l'allegata dichiarazione CE. Se il simbolo CE manca, indica che la macchina non è approvata dalla CE.

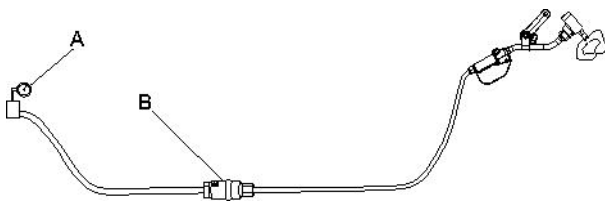
Etichetta di sicurezza



Per evitare lesioni, prima di usare o di effettuare la manutenzione su un utensile, leggere e comprendere le istruzioni di sicurezza fornite separatamente.

Installazione

Tubi e collegamenti



- A. Sorgente di aria compressa
 - B. Separatore di condensa (opzionale)
- ◆ Verificare che si stia usando la corretta pressione operativa raccomandata, 87 psig (6 bar (e)).
 - ◆ La pressione massima consentita dell'aria compressa, 90 psig (6,2 bar (e)), non deve mai essere superata.
 - ◆ Soffiare via eventuali impurità dal tubo dell'aria compressa prima di collegarlo alla macchina.

- ◆ Selezionare le dimensioni e la lunghezza corrette per il tubo dell'aria compressa. Per tubi di lunghezza superiore a 100 feet (30 metri), usare un tubo con diametro minimo interno di $\frac{3}{4}$ " (19 mm). Se il tubo ha una lunghezza tra i 100 e i 330 feet (30 e 100 metri), usare un tubo con diametro interno minimo di 1" (25 mm).
- ◆ Non lubrificare il pistone. Potrebbe verificarsi l'arresto indesiderato della macchina.
- ◆ Una possibilità per agevolare il funzionamento della macchina, è utilizzare un tubo in gomma con un diametro interno di $\frac{3}{8}$ " (9,5 mm) e una lunghezza di 10 feet (3 m), il più vicino possibile alla macchina.

Collegamento del separatore di condensa

Tra il compressore e il separatore di condensa utilizzare un tubo che abbia una lunghezza sufficiente a garantire che il vapore acqueo si raffreddi e si condensi nel tubo prima di raggiungere il separatore.

Se la temperatura ambiente è inferiore a 32°F (0°C), il tubo deve essere sufficientemente corto per evitare il rischio di formazione di ghiaccio prima che l'acqua raggiunga il separatore di condensa.

Pistone

▲ ATTENZIONE Pistone caldo

La punta del pistone potrebbe riscaldarsi e potrebbe affilarsi quando viene utilizzata. Il contatto con la punta può causare ustioni e tagli.

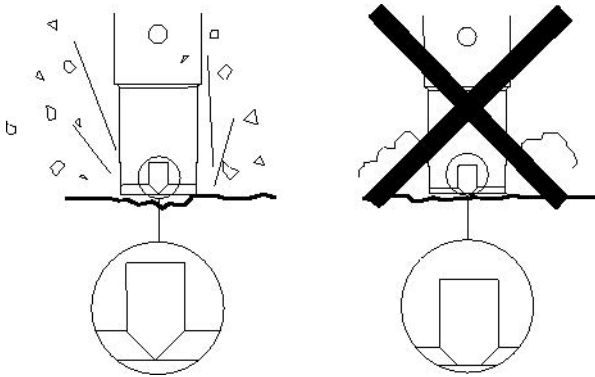
- ▶ Non toccare mai un pistone quando è caldo o tagliente.
- ▶ Attendere che il pistone si sia raffreddato prima di eseguire qualsiasi intervento di manutenzione.

AVVISO Non raffreddare mai un pistone caldo in acqua, potrebbe derivarne fragilità e rottura precoce.

▲ AVVERTENZA Rischio correlato alle vibrazioni

Un pistone usurato impiega più tempo a compiere un'operazione e può causare livelli più alti di esposizione alle vibrazioni.

- ▶ Assicurarsi che il pistone sia sottoposto a corretta manutenzione e non usurato.
- ▶ Usare sempre un pistone affilato per poter lavorare in maniera efficace.



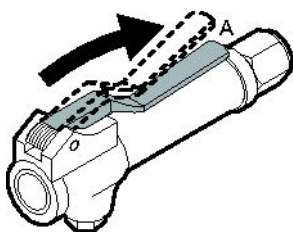
Funzionamento

▲ AVVERTENZA Avviamento accidentale

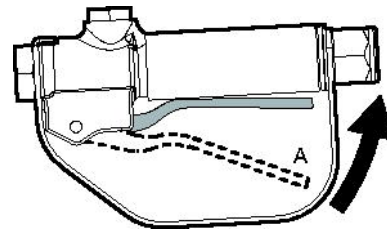
L'avviamento accidentale della macchina può provocare gravi lesioni personali.

- ▶ Tenere lontane le mani dal dispositivo di avviamento ed arresto fino a quando l'operatore non è pronto ad avviare la macchina.
- ▶ Imparare come fermare la macchina in caso di emergenza.
- ▶ Arrestare immediatamente la macchina in caso di interruzione di corrente.

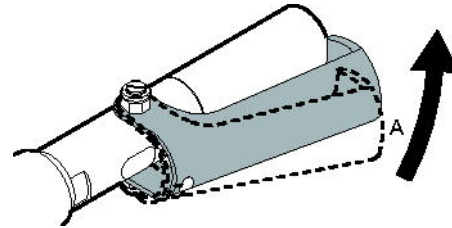
Avviamento e arresto



CP 0006

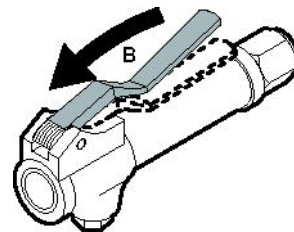


CP 0006 SVR

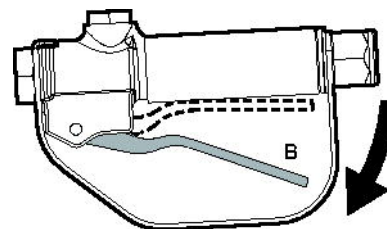


CP 0066

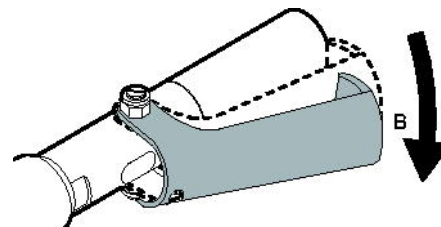
- ◆ Avviare la macchina premendo il dispositivo di azionamento (A) e nel contempo mantenere saldamente l'impugnatura.



CP 0006



CP 0006 SVR



CP 0066

- ◆ Arrestare la macchina rilasciando il dispositivo di azionamento (B). Questo torna automaticamente nella posizione di arresto.

Condizioni di esercizio

Avvio di un taglio

- ◆ In posizione eretta e stabile, mantenere la scarificatrice con entrambe le mani.
- ◆ Puntare la scarificatrice delicatamente sulla superficie di lavoro prima dell'avvio.

Funzionamento

- ◆ Lasciare che sia la macchina a eseguire il lavoro; non esercitare una pressione eccessiva.
- ◆ Evitare qualunque forma di utilizzo a regime minimo con la macchina sollevata.
- ◆ Quando la macchina viene sollevata, non azionare il dispositivo di avviamento e arresto.
- ◆ Controllare che l'aria compressa sia pulita, secca e priva di lubrificante.

Durante le pause della lavorazione

- ◆ Durante le pause riporre la macchina in maniera tale che non vi sia rischio di azionamento involontario. Accertarsi di posizionare la macchina a terra in modo tale che non cada.
- ◆ Nel caso in cui la pausa sia lunga o quando si lascia il pezzo da lavorare: interrompere l'erogazione dell'alimentazione e spurgare la macchina attivando il dispositivo di avviamento e arresto.

Manutenzione

La manutenzione regolare è un requisito di base perché l'uso dell'utensile continui ad essere sicuro ed efficiente. Seguire attentamente le istruzioni per la manutenzione.

- ◆ Prima di iniziare la manutenzione sulla macchina, pulirla per evitare l'esposizione a sostanze pericolose. Vedere "Rischi correlati alla polvere e ai fumi"
- ◆ Utilizzare esclusivamente ricambi originali. Eventuali danni o guasti dovuti dall'uso di ricambi non originali non sono coperti da Garanzia o Responsabilità sul Prodotto.
- ◆ In caso di pulizia delle parti meccaniche con un solvente, rispettare tutte le norme di sicurezza vigenti e accertarsi che vi sia una ventilazione adeguata.
- ◆ Per la manutenzione completa della macchina, rivolgersi al proprio centro di assistenza autorizzato.
- ◆ Dopo ogni intervento, controllare che il livello di vibrazione della macchina sia normale. In caso contrario, contattare l'officina autorizzata di zona per ulteriori istruzioni.

Giornaliera

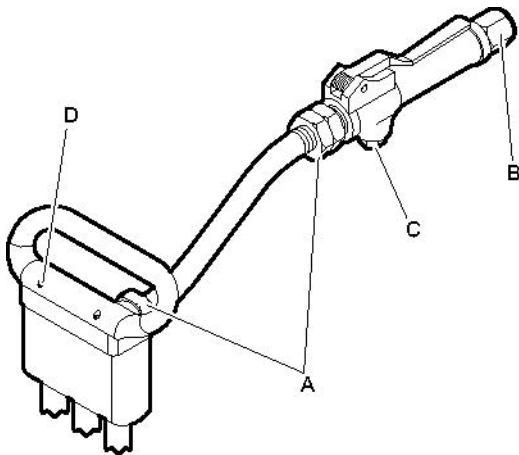
Prima di accingersi alla manutenzione o alla sostituzione del pistone sulla scarificatrice, disinserire sempre l'alimentazione dell'olio e spurgare la macchina premendo il dispositivo di avviamento e arresto, scollegare quindi il tubo flessibile pneumatico dalla macchina.

- ◆ Pulire ed ispezionare la macchina e le sue funzioni ogni giorno prima di iniziare il lavoro.
- ◆ Eseguire un'ispezione generale per verificare che non vi siano perdite o danni.
- ◆ Controllare che il nipplo dell'aria in ingresso sia serrato e che il raccordo a baionetta non sia danneggiato.
- ◆ Se la macchina è dotata di un'impugnatura ad assorbimento delle vibrazioni, controllare che si muova liberamente (su e giù) e che non si incastri.
- ◆ Verificare che il raccordo si muova liberamente (su e giù) e che non si inceppi.
- ◆ Controllare le condizioni della bussola in gomma.
- ◆ Sostituire immediatamente i pezzi danneggiati.
- ◆ Sostituire tempestivamente i componenti usurati.
- ◆ Assicurarsi che tutta l'attrezzatura, quali tubazioni e separatori d'acqua, sia sottoposta a corretta manutenzione.

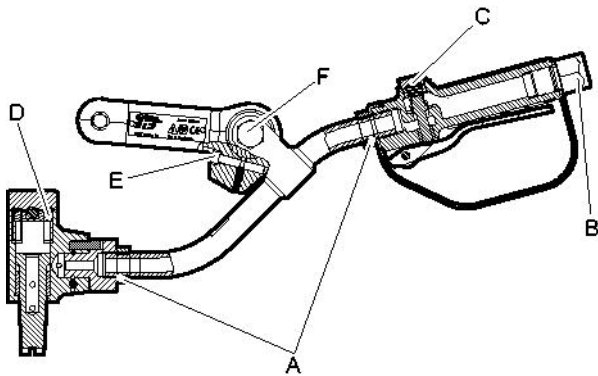
Manutenzione periodica

Dopo un periodo d'uso di circa 100 ore di impatto o tre volte all'anno, smontare la macchina, pulire e controllare tutti i componenti. Questo lavoro deve essere eseguito da personale autorizzato, addestrato a questo compito.

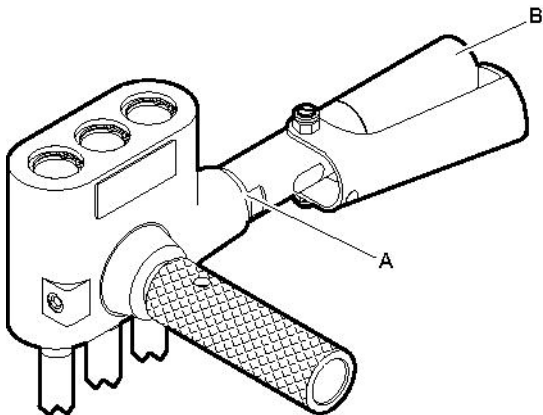
Istruzioni per il montaggio



CP 0006



CP 0006 SVR



CP 0066

- A. Coppia: 35-40 lbf.ft (47-54 Nm), utilizzare Loctite® 542™. (Loctite è un marchio commerciale di Henkel Corporation. 542 è un marchio commerciale di Henkel Corporation).
- B. Coppia: 50-60 lbf.ft (68-81 Nm), utilizzare Loctite® 542™.
- C. Coppia: 60-70 lbf.ft (81-95 Nm), utilizzare Loctite® 542™.
- D. Coppia: 15-16 lbf.ft (20-22 Nm), utilizzare Loctite® 242™. (Loctite è un marchio commerciale di Henkel Corporation. 242 è un marchio commerciale di Henkel Corporation).
- E. Coppia: 13 lbf.ft (17 Nm).
- F. Coppia: 44-52 lbf.ft (60-70 Nm).

Ricerca dei guasti

Se la scarificatrice non si avvia, ciò significa che la potenza è bassa o le prestazioni sono irregolari; controllare i seguenti punti:

- ◆ Controllare che pistone e cilindro siano puliti e asciutti.
- ◆ controllare che il sistema ad aria compressa fornisca alla macchina pressione d'aria sufficiente a una potenza completa;
- ◆ verificare che le dimensioni e la lunghezza del tubo dell'aria corrispondano a quelle raccomandate. Si veda "Installazione".
- ◆ In caso di rischio di congelamento, controllare che le porte di scarico della macchina non siano bloccate.

se il funzionamento della macchina non è ancora soddisfacente in seguito a questa procedura, contattare un'officina di assistenza autorizzata.

Immagazzinamento

- > Pulire bene la macchina prima del magazzinaggio per evitare la presenza di sostanze pericolose. Vedere "Rischi correlati alla polvere e ai fumi"
- > Riporre sempre la macchina in un luogo asciutto.

Smaltimento

Una macchina usurata si deve trattare e smaltire in maniera tale che la maggior parte possibile di materiale possa essere riciclata e che eventuali influenze negative sull'ambiente vengano ridotte al minimo anche nel rispetto delle limitazioni locali.

Dati tecnici

Dati della macchina

Tipo	Peso lb (kg)	Lunghezza in. (mm)	Freq. di battuta Hz	Consumo aria foot ³ /min (l/s)
CP 0006	10 (4,5)	16 ½ (411)	50	27 ½ (13)
CP 0006 SVR	15 (6,8)	20 (510)	51	27 ½ (13)
CP 0066	10 (4,5)	11 (280)	50	27 ½ (13)

Dichiarazione in materia di rumore e vibrazioni

Livello di potenza acustica garantito **L_w** conforme ISO 3744 ai sensi della direttiva 2000/14/CE.

Livello pressione sonora **L_p** ai sensi ISO 11203.

Valore vibrazioni **A** e incertezza **B** determinata secondo ISO 20643. Vedere la tabella "Dati di rumore e vibrazioni" per i valori di A, B, ecc.

I valori qui dichiarati sono stati ottenuti mediante test di laboratorio conformi alla direttiva o agli standard indicati e non sono idonei per confronto con i valori dichiarati di altri utensili testati sulla base della stessa direttiva o standard. Tali valori dichiarati non sono adeguati all'uso nelle valutazioni dei rischi e i valori misurati nei singoli luoghi di lavoro possono essere maggiori. I valori di esposizione e i rischi effettivi per ciascun singolo operatore sono unici e dipendono dalle modalità di lavoro dell'operatore, dal materiale con il quale si utilizza la macchina, oltre che dal tempo di esposizione, dalle condizioni fisiche dell'operatore e dalle condizioni della macchina.

Atlas Copco Construction Tools AB non può essere ritenuta responsabile delle conseguenze dell'utilizzo dei valori dichiarati - invece dei valori che riflettono l'esposizione effettiva - nella singola valutazione dei rischi di uno specifico posto di lavoro, sul quale Atlas Copco Construction Tools AB non ha controllo.

Questo utensile può causare una sindrome da vibrazioni mano-braccio se non utilizzato nella maniera idonea. Una guida EU per la gestione delle vibrazioni mano-braccio è reperibile all'indirizzo <http://www.humanvibration.com/EU/VIBGUIDE.htm>

Raccomandiamo un programma di sorveglianza sanitaria per rilevare sintomi precoci che possano essere correlati con l'esposizione alle vibrazioni, in maniera tale che le procedure di gestione possano essere modificate per aiutare a prevenire invalidità future.

Dati su rumore e vibrazioni

Tipo	Rumore		Vibrazioni	
	Valori dichiarati		Valori dichiarati	
	Pressione sonora	Potenza suono	Valori tre assi	
	ISO 11203	2000/14/CE	ISO 20643	
	L_p r=1m dB(A) rel 20µPa	L_w garantiti dB(A) rel 1pW	A media m/s ² valore	B media m/s ²
CP 0006	92	N/A	23,1	2,8
CP 0006 SVR	92	N/A	7,1	1,2
CP 0066	-	N/A	12,8	1,8

Dichiarazione di conformità CE

Dichiarazione di conformità CE (Direttiva CE 2006/42/CE)

Atlas Copco Construction Tools AB, con il presente documento dichiara che i macchinari elencati di seguito sono conformi ai requisiti specificati dalle Direttive CE 2006/42/CE (Direttiva macchine), nonché agli standard armonizzati specificati di seguito.

Scalpellatori pneumatici manuali	Pmax (bar)
CP 0006	6.2
CP 0006 SVR	6.2
CP 0066	6.2

Sono stati applicati i seguenti standard armonizzati:

- ◆ ISO/FDIS 11148-4

Rappresentante autorizzato Documentazione Tecnica:

Erik Sigfridsson
Atlas Copco Construction Tools AB
Dragonvägen 2
Kalmar

Direttore Generale:

Erik Sigfridsson

Produttore:

Atlas Copco Construction Tools AB
105 23 Stockholm
Sweden

Luogo e data:

Kalmar, 2010-01-01

NEDERLANDS**Inhoud**

Inleiding	101
Info over de Veiligheidsvoorschriften en bedieningshandleiding	101
Veiligheidsvoorschriften	102
Veiligheidssignaaltermen.....	102
Persoonlijke voorzorgsmaatregelen en kwalificaties.....	102
Installatie, voorzorgsmaatregelen.....	102
Bediening, voorzorgsmaatregelen.....	103
Onderhoud, voorzorgsmaatregelen.....	107
Opslag, voorzorgsmaatregelen.....	107
Overzicht	108
Ontwerp en functie.....	108
Hoofdonderdelen.....	108
Stickers.....	108
Installatie	109
Slangen en aansluitingen.....	109
Aansluiten van een waterafscheider.....	109
Plunjer.....	109
Werking	110
Starten en stoppen.....	110
Bediening.....	111
Bij een pauze.....	111
Onderhoud	111
Iedere dag.....	111
Periodiek onderhoud.....	111
Montageaanwijzingen.....	112
Fouten opsporen	112
Opslag	112
Opruimen	113
Technische gegevens	114
Machinegegevens.....	114
Geluids- en trillingsverklaring.....	114
Geluids- en trillingsgegevens.....	115
EG Conformiteitsverklaring	116
EG Conformiteitsverklaring (EG-richtlijn 2006/42/EG).....	116

Inleiding

Bedankt om voor producten van het merk Chicago Pneumatic te kiezen. Meer dan een eeuw staat het merk Chicago Pneumatic voor prestatie en vernieuwing in de industrie van pneumatische gereedschappen.

Vandaag is het merk overal ter wereld beschikbaar voor een reeks pneumatische en hydraulische gereedschappen waaronder breekhamers, boorhamers, hakhamers, pikhamers, opruwers pompen en nog veel meer.

Het merk Chicago Pneumatic staat voor krachtige en betrouwbare producten, eenvoudig te onderhouden en aan de juiste prijs.

Voor meer inlichtingen kunt u terecht op www.cp.com

Atlas Copco Construction Tools AB
105 23 Stockholm
Sweden

Info over de Veiligheidsvoorschriften en bedieningshandleiding

De aanwijzingen hebben tot doel u te leren hoe u de pneumatische bouchardeerhamer op efficiënte en veilige wijze gebruikt. De aanwijzingen bevatten ook adviezen en informatie voor het plegen van periodiek onderhoud aan de pneumatische bouchardeerhamer.

Voordat u de pneumatische bouchardeerhamer voor het eerst gaat gebruiken, moet u deze aanwijzingen zorgvuldig hebben gelezen en alles goed hebben begrepen.

Veiligheidsvoorschriften

Om het risico van ernstig letsel of zelfs overlijden voor uzelf of anderen te beperken, dient u deze Veiligheidsvoorschriften en bedieningshandleiding te hebben gelezen en begrepen voordat u de machine installeert, in gebruik neemt, repareert, onderhoudt of accessoires van de machine vervangt.

Hang deze Veiligheidsvoorschriften en bedieningshandleiding op bij werkplekken, zorg voor kopieën voor werknemers en verzeker u ervan dat iedereen de Veiligheidsvoorschriften en bedieningshandleiding heeft gelezen alvorens de machine te gebruiken of te onderhouden.

Bovendien dient de gebruiker, of de werkgever van de gebruiker, de specifieke risico's te beoordelen, die verbonden kunnen zijn aan de desbetreffende toepassing van de machine.

Veiligheidssignaaltermen

De veiligheidssignaaltermen Gevaar, Waarschuwing en Voorzichtig hebben de volgende betekenissen:

GEVAAR	Duidt op een gevaarlijke situatie die, indien deze niet wordt vermeden, de dood of ernstig letsel tot gevolg zal hebben.
WAARSCHUWING	Duidt op een gevaarlijke situatie die, indien deze niet wordt vermeden, de dood of ernstig letsel tot gevolg kan hebben.
VOORZICHTIG	Duidt op een gevaarlijke situatie die, indien deze niet wordt vermeden, gering of middelzwaar letsel tot gevolg kan hebben.

Persoonlijke voorzorgsmaatregelen en kwalificaties

De machine mag uitsluitend worden bediend en onderhouden door hiertoe gekwalificeerde en opgeleide personen. Ze dienen fysiek in staat te zijn om de massa, het gewicht en de kracht van het gereedschap aan te kunnen. Gebruik altijd uw gezond verstand en beoordelingsvermogen.

Persoonlijke veiligheidsuitrusting

Gebruik altijd goedgekeurde beschermende uitrusting. Operators en alle andere personen binnen het werkgebied moeten beschermende uitrusting dragen, minimaal bestaand uit:

- > Veiligheidshelm
- > Gehoorbescherming
- > Slagvaste oogbescherming met zijwaartse bescherming
- > Bescherming van de luchtwegen indien van toepassing
- > Veiligheidshandschoenen
- > Geschikte veiligheidsschoenen/laarzen
- > Een geschikte werkoverall of soortgelijke kleding (niet loszittend) die uw armen en benen bedekt.

Drugs, alcohol of medicijnen

▲ WAARSCHUWING Drugs, alcohol of medicijnen

Drugs, alcohol en medicijnen kunnen uw beoordelings- en concentratievermogen beïnvloeden. Een gebrekkig reactievermogen en onjuiste beoordelingen kunnen leiden tot ernstige ongevallen of zelfs de dood.

- ▶ Gebruik de machine nooit als u vermoeid bent of onder de invloed van drugs, alcohol of medicijnen.
- ▶ Geen enkele persoon die onder de invloed is van drugs, alcohol of medicijnen mag de machine bedienen.

Installatie, voorzorgsmaatregelen

▲ GEVAAR Zwiependе lucht slang

Een perslucht slang die is losgekomen, kan rondslaan en persoonlijk letsel of de dood veroorzaken. Neem de volgende voorzorgsmaatregelen om dit risico te beperken:

- ▶ Controleer de perslucht slang en de koppelingen op beschadiging en vervang ze indien vereist.
- ▶ Controleer of alle persluchtkoppelingen goed bevestigd zijn.
- ▶ Draag pneumatische machines nooit aan de lucht slang.

- ▶ Probeer nooit een perslucht slang die onder druk staat te ontkoppelen. Zet eerst de perslucht af aan de compressor en ontlucht vervolgens de machine door de start- en stopvoorziening te bedienen.
- ▶ Richt een perslucht slang nooit op uzelf of iemand anders. Om het risico van lichamelijk letsel te vermijden, dient u nooit perslucht te gebruiken om stof, vuil, enz., van uw kleding te verwijderen.
- ▶ Gebruik geen snelkoppelingen aan de inlaat van het gereedschap. Gebruik slangkoppelingen met schroefdraad van gehard staal (of materiaal met een vergelijkbare schokweerstand).
- ▶ Bij gebruik van universele draaikoppelingen (klauwkoppelingen) adviseren we om altijd vergrendelingspennen te monteren en veiligheidskabels (whipcheck) te gebruiken, ter bescherming tegen eventuele defecten aan de aansluiting van slang op gereedschap en van slang op slang.

Bediening, voorzorgsmaatregelen

▲ GEVAAR Explosiegevaar

Als een plunjer in contact komt met explosieven of explosieve gassen, kan er een explosie plaatsvinden. Bij werk aan bepaalde materialen en toepassing van bepaalde materialen in machineonderdelen, kunnen vonken en ontvlaming optreden. Explosies zullen leiden tot ernstig letsel of zelfs de dood.

- ▶ Gebruik de machine nooit in explosieve omgevingen.
- ▶ Gebruik de machine nooit in de nabijheid van ontvlambare materialen, gassen of stof.
- ▶ Controleer of er geen ongedetecteerde gasbronnen of explosieven zijn.

▲ WAARSCHUWING Onverwachte bewegingen

Tijdens het gebruik van de machine is de plunjer onderhevig aan zware spanningen. De plunjer kan na een bepaalde gebruiksduur breken op grond van vermoeiing. Als de plunjer breekt of vast komt te zitten, kan dit plotselinge en onverwachte bewegingen tot gevolg hebben, die lichamelijk letsel kunnen veroorzaken. Bovendien kan letsel worden veroorzaakt als u uw evenwicht verliest of uitglijdt.

- ▶ Zorg er altijd voor dat u in een stabiele positie staat en uw lichaamsgewicht in evenwicht houdt.
- ▶ Inspecteer de apparatuur altijd voordat u hem gaat gebruiken. Gebruik de apparatuur nooit als u vermoedt dat hij beschadigd is.
- ▶ Zorg ervoor dat de handgrepen schoon en vrij van vet en olie zijn.
- ▶ Houd uw handen en voeten altijd uit de buurt van de plunjer.
- ▶ Houd de machine altijd met beide handen vast.
- ▶ Sla nooit op de apparatuur en gebruik hem niet op oneigenlijke wijze.
- ▶ Controleer de plunjer regelmatig op slijtage en controleer hem op tekenen van beschadigingen en zichtbare barsten.
- ▶ Wees oplettend en kijk goed wat u doet.

▲ WAARSCHUWING Gevaren van stof en damp

Stof en/of dampen, die ontwikkeld worden of vrijkomen tijdens het gebruik van de machine, kunnen ernstige en permanente ademhalingsaandoeningen, ziekten of ander lichamelijk letsel veroorzaken (zoals silicose (stoflong) of andere chronische en mogelijk fatale longziekten, kanker, geboortefwijkingen en/of huidontstekingen).

Bepaalde stofdeeltjes en dampen, die geproduceerd worden bij boren, slopen, hameren, zagen, slijpen en andere bouwactiviteiten, bevatten stoffen die volgens de Staat Californië en andere overheden ziekten van de ademhalingswegen, kanker, geboortefwijkingen of andere voortplantingsstoringen veroorzaken. Voorbeelden van dergelijke stoffen zijn:

- > Kristalsilicaat, cement en andere metselwerkproducten.
- > Arseniek en chroom van chemisch behandeld rubber.
- > Lood van op lood gebaseerde verfstoffen.

De in de lucht aanwezige stof en dampen kunnen met het blote oog onzichtbaar zijn. Vertrouw daarom niet op uw gezichtsvermogen om te bepalen of de lucht stof of dampen bevat.

Neem, om het gevaar van blootstelling aan stof en dampen te reduceren, de volgende voorzorgsmaatregelen:

- ▶ Voer een risicobeoordeling uit, die specifiek is voor de werkplek. Deze risicobeoordeling dient rekening te houden met stof en dampen die door de machine worden geproduceerd en met de mogelijkheid dat reeds aanwezig stof opwerfelt.
- ▶ Gebruik geschikte constructiemiddelen om de hoeveelheid stof en dampen in de lucht en stofvorming op apparatuur, oppervlakken, kleding en lichaamsdelen tot een minimum te reduceren. Voorbeelden van dergelijke middelen zijn: uitlaatventilatie en stofopvangsystemen, waterspray en nat boren. Beperk de vorming van stof en dampen zo veel mogelijk bij hun bronnen. Zorg ervoor dat zulke hulpmiddelen naar behoren worden geïnstalleerd en onderhouden.

- ▶ Draag, onderhoud en gebruik alle adembeschermingsmiddelen correct volgens de aanwijzingen van uw werkgever en de wettelijke ARBO-voorschriften. De adembeschermingsmiddelen moeten doelmatig zijn voor het stoftype in kwestie (en, indien van toepassing, zijn goedgekeurd door de desbetreffende overheidsinstantie).
- ▶ Werk in een goed geventileerde ruimte.
- ▶ Als de machine een uitlaat heeft: richt de uitlaat dusdanig dat het opwerpen van stof in stoffige omgevingen zo goed mogelijk wordt voorkomen.
- ▶ Bedien en onderhoud de machine volgens de Veiligheidsvoorschriften en bedieningshandleiding.
- ▶ Kies, onderhoud en vervang verbruiksartikelen, inzetgereedschappen en andere accessoires volgens de aanbevelingen in de Veiligheidsvoorschriften en bedieningshandleiding. Een foutieve keuze en gebrekkig onderhoud van verbruiksartikelen, inzetgereedschappen en andere accessoires, kunnen resulteren in een nodeloze toename van de hoeveelheid stof en/of dampen.
- ▶ Draag ter bescherming op de werkplek wasbare kleding of wegwerpkleding. Neem een douche en trek schone kleren aan voordat u de werkplek verlaat om blootstelling aan stof en dampen van uzelf en anderen, auto's, woningen en andere plekken te reduceren.
- ▶ Eet en drink niet en gebruik geen tabaksproducten op plaatsen waar stof of dampen aanwezig zijn.
- ▶ Was uw handen en gezicht zo snel mogelijk na het verlaten van een plaats van blootstelling en altijd voordat u eet, drinkt of tabaksproducten gebruikt en voordat u in contact komt met andere mensen.
- ▶ Neem alle toepasselijke wettelijke voorschriften en bepalingen in acht, met inbegrip van de ARBO-voorschriften.
- ▶ Neem deel aan de door uw werkgever of werknemerorganisatie georganiseerde activiteiten op het gebied van luchtbewaking, medisch onderzoek en ARBO-cursussen, in overeenstemming met de geldende gezondheids- en veiligheidsvoorschriften en -adviezen. Raadpleeg artsen met ervaring van beroepsgerelateerde geneeskunde.

- ▶ Werk samen met uw werkgever en werknemersorganisatie om de blootstelling aan stof en dampen op de werkplek tegen te gaan en de risico's hiervan te reduceren. Effectieve programma's ter bevordering van de gezondheid en veiligheid evenals procedures voor de bescherming van werknemers en anderen tegen schadelijke blootstelling aan stof en dampen, dienen te worden opgesteld en geïmplementeerd op basis van adviezen van gezondheids- en veiligheidsdeskundigen. Raadpleeg deskundigen.

▲ WAARSCHUWING Projectielen

Als werkstukken, accessoires of de machine zelf stukgaan, kan dit tot gevolg hebben dat er projectielen met hoge snelheid vrijkomen. Tijdens het gebruik kunnen splinters of andere deeltjes van het materiaal waarmee wordt gewerkt projectielen worden en persoonlijk letsel veroorzaken, doordat ze de gebruiker of andere personen raken. Neem de volgende voorzorgsmaatregelen om dit risico te beperken:

- ▶ Gebruik goedgekeurde persoonlijke beschermingsmiddelen en een veiligheidshelm, inclusief een stootvaste oogbescherming met zijdelingse bescherming.
- ▶ Zorg ervoor dat onbevoegde personen geen toegang hebben tot het werkgebied.
- ▶ Houd de werkplek vrij van vreemde voorwerpen.
- ▶ Verzeker u ervan dat werkstukken stevig en veilig bevestigd zijn.

▲ WAARSCHUWING Gevaren van uitglijden, struikelen en vallen

Het risico van uitglijden, struikelen en vallen is aanwezig, bij voorbeeld dat men over slangen van de machine of andere voorwerpen struikelt. Uitglijden, struikelen en vallen kunnen lichamelijk letsel veroorzaken. Neem de volgende voorzorgsmaatregelen om dit risico te beperken:

- ▶ Zorg er altijd voor dat er geen slangen en andere voorwerpen voor uzelf en voor anderen in de weg liggen.
- ▶ Zorg er altijd voor dat u in een stabiele positie staat en uw lichaamsgewicht in evenwicht houdt.

▲ WAARSCHUWING Gevaren van bewegingen

Als u de machine gebruikt voor werkgerelateerde activiteiten, kunt u ongemak ervaren in uw handen, armen, schouders, nek en andere lichaamsdelen.

- ▶ Neem een comfortabele werkhouding aan, met uw voeten in een veilige stand en vermijd ongemakkelijke houdingen uit evenwicht.
- ▶ Het wisselen van houding tijdens langdurige taken kan helpen om ongemak en vermoeidheid te voorkomen.
- ▶ Raadpleeg bij aanhoudende of herhaalde symptomen een gekwalificeerde gezondheidswerker.

▲ WAARSCHUWING Gevaren van trillingen

Normaal en correct gebruik van de machine stelt de gebruiker bloot aan trillingen. Regelmatige en frequente blootstelling aan trillingen kan letsel veroorzaken. Het kan ertoe bijdragen dat aandoeningen ontstaan of verergeren aan de vingers, handen, armen, polsen, schouders en/of andere zenuwen en aan de bloedtoevoer of andere lichaamsdelen van de gebruiker. Verzwakking en/of blijvend letsel of aandoeningen kunnen zich ook geleidelijk voordoen in de loop van weken, maanden of jaren. Dergelijk letsel en aandoeningen kunnen ook omvatten: schade aan de bloedsomloop, schade aan het zenuwstelsel, schade aan gewrichten evenals mogelijke schade aan andere lichaamsdelen.

Als ongevoeligheid, aanhoudend lichamelijk ongemak, brandend gevoel, stijfheid, kloppen, tintelen, pijn, onhandigheid, een verzwakte grip, verbleking van de huid of andere symptomen op welk moment dan ook optreden tijdens het bedienen van de machine of tijdens het niet bedienen van de machine: ga niet weer met de machine aan de slag, maar zoek medische hulp. Als men de machine blijft gebruiken nadat zich een dergelijk symptoom heeft voorgedaan, kan dit het risico verhogen dat de symptomen ernstiger en/of blijvend worden.

Gebruik en onderhoud de machine volgens de aanbevelingen in deze handleiding om nodeloze toename van trillingen te voorkomen.

De volgende aandachtspunten kunnen helpen om de blootstelling aan trillingen van de gebruiker te reduceren:

- ▶ Laat het gereedschap het werk doen. Gebruik een minimale handgrip, strokend met een degelijke controle en veilige bediening.
- ▶ Als u het slagmechanisme hebt geactiveerd, is het enige lichamelijke contact dat u met de machine dient te hebben, via uw handen op de handgreep/handgrepen. Vermijd enig ander contact, bijv. het steunen van lichaamsdelen tegen de machine of het leunen op de machine om te proberen meer kracht te zetten. Het is ook belangrijk dat de start- en stopvoorziening niet ingeschakeld is als u het gereedschap uit het werkoppervlak trekt.
- ▶ Bij gebruik van een versleten pluiner duurt het langer om een karwei af te maken en het kan tevens resulteren in hogere niveaus van blootstelling aan trillingen. Zorg ervoor dat de pluiner altijd goed onderhouden en niet versleten is. Om efficiënt te kunnen werken, is het ook belangrijk dat de pluiner altijd scherp is.

- ▶ Stop onmiddellijk met werken als de machine plotseling hevig begint te trillen. Voordat u verder werkt, moet u eerst de oorzaak van de toegenomen trilling opsporen en wegnemen.
- ▶ De pluiner nooit vastpakken, vasthouden of aanraken zo lang u de machine gebruikt.
- ▶ Neem deel aan programma's voor gezondheidsbewaking of controle, medisch onderzoek en aan de opleidingen die u worden aangeboden door uw werkgever en als die wettelijk vereist zijn.
- ▶ Draag bij werk in een koude omgeving warme kleding en houd uw handen warm en droog.

Zie de "Geluids- en trillingsverklaring" voor de machine, met inbegrip van de vermelde trillingswaarden. Deze informatie vindt u aan het eind van de Veiligheidsvoorschriften en bedieningshandleiding.

- ◆ Zorg dat de luchtdruk is zoals aanbevolen als u de machine gebruikt. Zowel een hogere als een lagere luchtdruk kan mogelijk resulteren in hogere trillingniveaus.

▲ GEVAAR Elektrisch gevaar

De machine is niet elektrisch geïsoleerd. Als de machine in contact komt met elektriciteit, kan dat leiden tot ernstig letsel of de dood.

- ▶ De machine nooit bedienen in de buurt van een elektriciteitskabel of een andere elektriciteitsbron.
- ▶ Verzeker u ervan dat er geen sprake is van verborgen bedrading of andere elektriciteitsbronnen binnen het werkterrein.

▲ WAARSCHUWING Gevaar van verborgen objecten

Tijdens het gebruik kunnen verborgen kabels en buizen een gevaar vormen dat kan resulteren in ernstig letsel.

- ▶ Controleer de samenstelling van het materiaal voordat u aan de slag gaat.
- ▶ Kijk uit voor verborgen kabels, leidingen en buizen, b.v. van elektriciteit, telefoon, water, gas en riolering, enz.
- ▶ Als u vermoedt dat de pluiner een verborgen object heeft geraakt: zet de machine dan onmiddellijk af.
- ▶ Verzeker u er eerst van dat er geen gevaar dreigt voordat u verder werkt.

▲ WAARSCHUWING Onbedoeld starten

Als de machine per abuis wordt gestart, kan dit letsel veroorzaken.

- ▶ Houd uw handen weg van de start- en stopvoorziening totdat u gereed bent om de machine te starten.
- ▶ Leer hoe u de machine in noodgevallen uitschakelt.
- ▶ Laat de start- en stopvoorziening altijd onmiddellijk los zodra de voeding uitvalt.
- ▶ Voordat u onderhoud pleegt aan de machine: schakel altijd eerst de luchttoevoer uit, ontlucht de machine door de start- en stopvoorziening in te drukken en schakel de voeding van de machine uit.

▲ WAARSCHUWING Gevaar door geluid

Hoge geluidsniveaus kunnen permanent en schadelijk gehoorverlies veroorzaken, evenals andere klachten, zoals tinnitus (rinkelen, zoemen, fluiten of gonzen in de oren). Ga als volgt te werk om de risico's te verminderen en nodeloos hoge geluidsniveaus te voorkomen:

- ▶ Een risicobeoordeling van deze gevaren en adequate voorzorgsmaatregelen zijn van essentieel belang.
- ▶ Bedien en onderhoud de machine volgens deze aanwijzingen.
- ▶ Kies, onderhoud en vervang het inzetgereedschap volgens deze aanwijzingen.
- ▶ Als de machine een geluidsdemper heeft: controleer of hij aanwezig is en in goede bedrijfsstaat verkeert.
- ▶ Draag altijd een gehoorbescherming.
- ▶ Gebruik geluiddempend materiaal om te voorkomen dat de werkstukken gaan "galmen".

**Onderhoud,
voorzorgsmaatregelen****▲ WAARSCHUWING Modifieren van de machine**

Iedere modificatie van de machine kan resulteren in lichamelijk letsel voor u zelf of anderen.

- ▶ Modificeer de machine onder geen beding. Gemodificeerde machines worden niet gedekt door de garantie of productaansprakelijkheid.
- ▶ Gebruik uitsluitend originele onderdelen, inzetgereedschappen en accessoires.
- ▶ Vervang beschadigde onderdelen onmiddellijk.
- ▶ Vervang versleten componenten op tijd.

▲ VOORZICHTIG Hete plunjer

De punt van de plunjer kan tijdens het gebruik heet en scherp worden. Aanraken kan in brand- en snijletsel resulteren.

- ▶ Raak een hete plunjer onder geen beding aan.
- ▶ Wacht tot de plunjer is afgekoeld voordat u begint met onderhoudswerkzaamheden.

**Opslag,
voorzorgsmaatregelen**

- ◆ Bewaar de machine en gereedschappen op een veilige plaats, buiten het bereik van kinderen en achter slot en grendel.

Overzicht

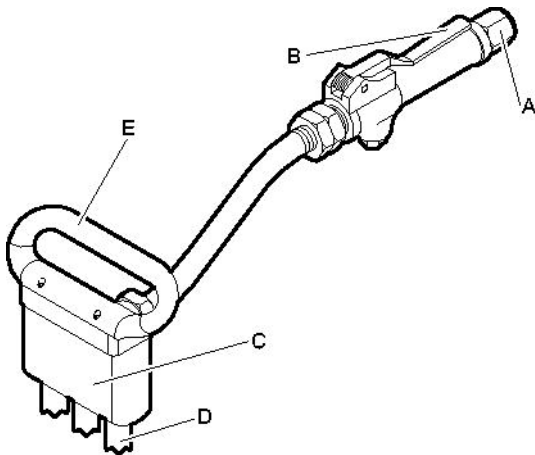
Om het risico van ernstig letsel of overlijden voor u zelf of anderen te reduceren, dient u voordat u de machine gaat gebruiken de Veiligheidsvoorschriften te lezen, die u vindt op de voorgaande pagina's van dit handboek.

Ontwerp en functie

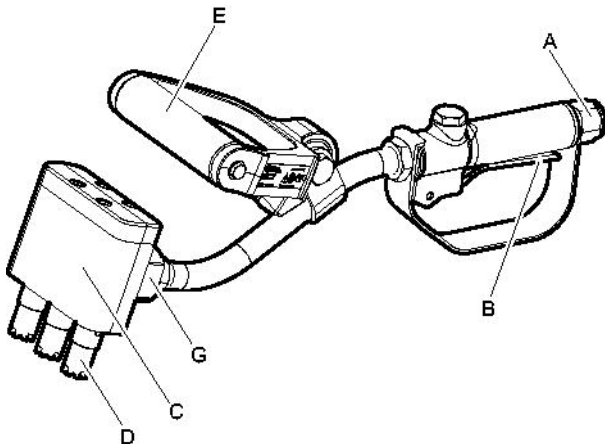
De CP 0006, CP 0006 SVR en CP 0066 zijn machines die ontworpen zijn voor het bikken, opruwen of verwijderen van beton. Ze zijn ook geschikt voor het verwijderen van roest op stalen oppervlakken. De machine kan zowel horizontaal als verticaal worden gebruikt. Ander gebruik is niet toegestaan.

Zie de reserveonderdelenlijst voor de keuze van de juiste plunjers.

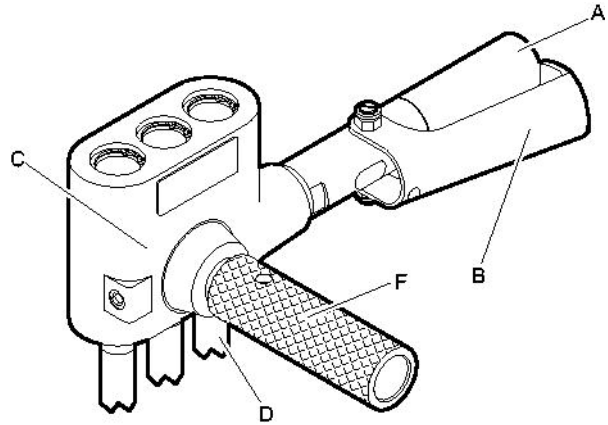
Hoofdonderdelen



CP 0006



CP 0006 SVR



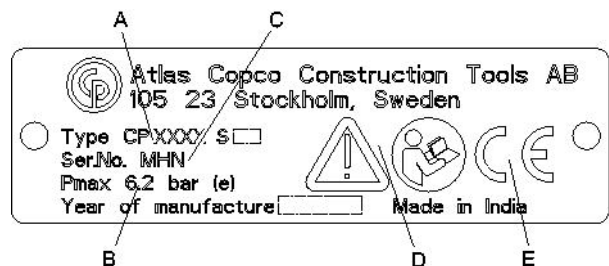
CP 0066

- A. Luchtinlaat
- B. Start- en stopvoorziening
- C. Cilinder
- D. Plunjer
- E. Voorste handgreep
- F. Zijdelingse handgreep
- G. Wartel

Stickers

De machine is voorzien van stickers met belangrijke informatie over persoonlijke veiligheid en machineonderhoud. De stickers moeten in dusdanige staat zijn, dat ze makkelijk leesbaar zijn. Nieuwe stickers kunt u bestellen uit de reserveonderdelenlijst.

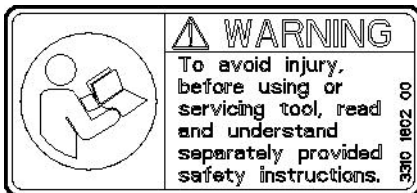
Gegevensplaatje



- A. Machinetype
- B. Maximaal toegestane luchtdruk
- C. Serienummer

- D. Het waarschuwingssymbool samen met het boeksymbool betekent dat de gebruiker de Veiligheidsvoorschriften en de bedieningshandleiding moet lezen voordat de machine voor het eerst wordt gebruikt.
- E. Het CE-symbool betekent dat de machine een EG-goedkeuring heeft. Zie de bij de machine geleverde EG-verklaring voor meer informatie. Als het CE-symbool ontbreekt, betekent dit dat de machine geen EG-goedkeuring heeft.

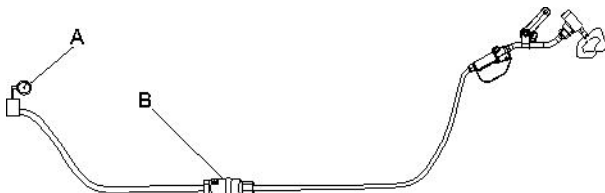
Veiligheidssticker



Om letsel te voorkomen, dient u de afzonderlijke veiligheidsvoorschriften te hebben gelezen en begrepen voordat u gereedschappen gebruikt of onderhoudt.

Installatie

Slangen en aansluitingen



- A. Persluchtbron
 - B. Waterafscheider (optioneel)
- ◆ Controleer of u de juiste aanbevolen werkdruk gebruikt, 87 psig (6 bar (e)).
 - ◆ De maximaal toegestane luchtdruk, 90 psig (6,2 bar (e)), mag niet worden overschreden.
 - ◆ Blaas eventuele onzuiverheden uit de persluchtslang voordat u hem aansluit op de machine.

- ◆ Kies de juiste afmeting en lengte voor de persluchtslang. Voor slanglengten tot 100 feet (30 meter) moet een slang met een inwendige diameter van minstens $\frac{3}{4}$ " (19 mm) worden gebruikt. Als de slanglengte tussen 100 en 330 feet (30 en 100 meter) ligt, moet een slang met een inwendige diameter van minimaal 1" (25 mm) worden gebruikt.
- ◆ Smeer de plunjer niet. Dit kan resulteren in onbedoelde uitval van de machine.
- ◆ U kunt de bediening van de machine eventueel vergemakkelijken door gebruik te maken van een rubberen slang met een inwendige diameter van $\frac{3}{8}$ " (9,5 mm) en een lengte van 10 feet (3 m), het dichtst bij de machine.

Aansluiten van een waterafscheider

De lengte van de slang tussen de compressor en de waterafscheider moet zodanig zijn dat de waterdamp wordt gekoeld en condenseert in de slang voordat de waterafscheider wordt bereikt.

Als de omgevingstemperatuur lager is dan 32 °F (0 °C) moet de slang kort genoeg zijn om te voorkomen dat het water bevriest voordat het de waterafscheider bereikt.

Plunjer

▲ VOORZICHTIG Hete plunjer

De punt van de plunjer kan tijdens het gebruik heet en scherp worden. Aanraken kan in brand- en snijletsel resulteren.

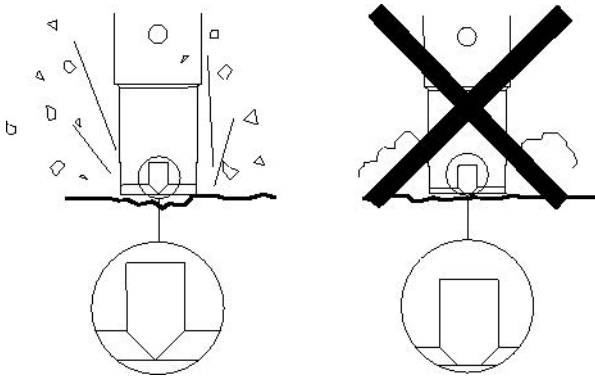
- ▶ Raak een hete plunjer onder geen beding aan.
- ▶ Wacht tot de plunjer is afgekoeld voordat u begint met onderhoudswerkzaamheden.

LET OP Koel een hete plunjer onder geen beding af in water, aangezien dit in broosheid en vroegtijdige defecten kan resulteren.

▲ WAARSCHUWING Gevaar van trillingen

Bij gebruik van een versleten plunjer duurt het langer om een karwei af te maken en het kan tevens resulteren in hogere niveaus van blootstelling aan trillingen

- ▶ Zorg ervoor dat de plunjer altijd goed onderhouden en niet versleten is.
- ▶ Gebruik altijd een scherpe plunjer om efficiënt te kunnen werken.



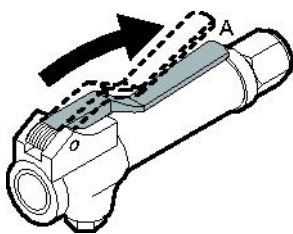
Werking

▲ WAARSCHUWING Onbedoeld starten

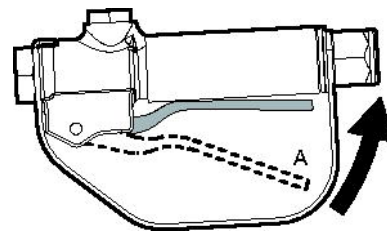
Als de machine per abuis wordt gestart, kan dit letsel veroorzaken.

- ▶ Houd uw handen weg van de start- en stopvoorziening totdat u gereed bent om de machine te starten.
- ▶ Leer hoe u de machine in noodgevallen uitschakelt.
- ▶ Zet de machine altijd onmiddellijk uit als de voeding uitvalt.

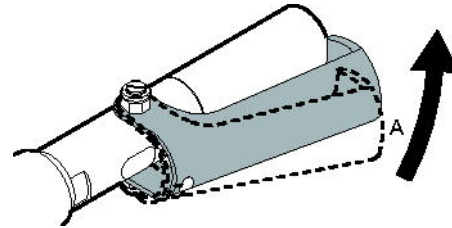
Starten en stoppen



CP 0006

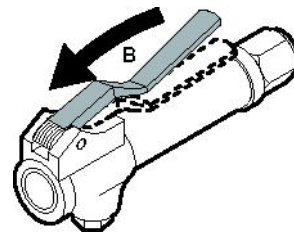


CP 0006 SVR

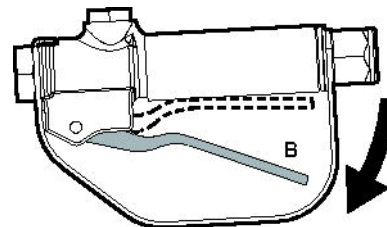


CP 0066

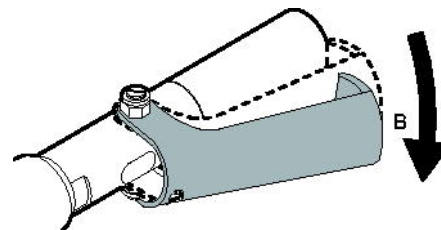
- ◆ Start de machine door in de trekker (A) te knijpen terwijl u de handgreep stevig vasthoudt.



CP 0006



CP 0006 SVR



CP 0066

- ◆ Stop de machine door de trekker (B) los te laten. De trekker keert automatisch terug naar de stoppositie.

Bediening

Maken van de eerste snede

- ◆ Neem een stabiele lichaamshouding in en houd de bouchardeerhamer met beide handen vast.
- ◆ Druk de bouchardeerhamer licht tegen het werkoppervlak voordat u begint.

Werken

- ◆ Laat de machine het werk doen; druk niet te hard.
- ◆ Iedere vorm van stationair draaien of werken met opgeheven machine dient te worden vermeden.
- ◆ Als de machine is opgeheven, mag de start- en stopvoorziening niet worden bediend.
- ◆ Controleer of de perslucht schoon, droog en vrij van smeermiddelen is.

Bij een pauze

- ◆ Tijdens pauzes moet u de machine altijd op een plaats leggen waar geen risico bestaat dat hij per abuis wordt gestart. Plaats de machine altijd op de grond zodat hij niet kan vallen.
- ◆ Neem de volgende voorzorgsmaatregelen bij langere pauzes of als u de werkplek verlaat: Zet de voeding af en ontlucht de machine vervolgens door de start- en stopvoorziening te bedienen.

Onderhoud

Regelmatig onderhoud is een basisvereiste voor een blijvend veilig en doelmatig gebruik van de machine. Volg de onderhoudsaanwijzingen zorgvuldig.

- ◆ Reinig de machine voordat u begint met onderhoud, om blootstelling aan gevaarlijke stoffen te voorkomen. Zie: "Gevaren van stof en damp"
- ◆ Gebruik alleen originele onderdelen. Schade of defecten die veroorzaakt zijn door het gebruik van niet-originele onderdelen, worden niet gedekt door onze garantie of productaansprakelijkheid.
- ◆ Neem voor het reinigen van mechanische onderdelen met oplosmiddelen de toepasselijke gezondheids- en veiligheidsbepalingen in acht en controleer of er voldoende ventilatie is.

- ◆ Voor grote servicewerkzaamheden aan de machine, neemt u contact op met de dichtstbijzijnde erkende werkplaats.
- ◆ Controleer na servicewerkzaamheden altijd of het trillingsniveau van de machine normaal is. Neem contact op met uw plaatselijke erkende werkplaats als dit niet het geval is.

Iedere dag

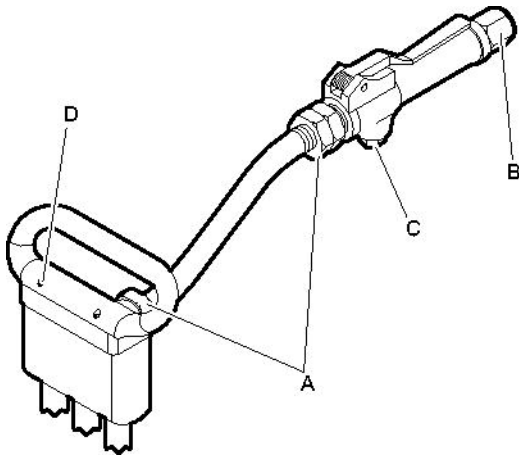
Voordat u onderhoud pleegt aan de bouchardeerhamer of de plunjer vervangt: schakel de luchttoevoer uit, ontlucht de machine door de start- en stopinrichting in te drukken en maak vervolgens de luchtslang los van de machine.

- ◆ Reinig en inspecteer de machine en zijn functies dagelijks voor aanvang van het werk.
- ◆ Verricht een algemene inspectie op lekkage en schade.
- ◆ Controleer of de luchtinlaatnippel is aangehaald en of de klauwkoppeling intact is.
- ◆ Als de machine een trillingsabsorberende handgreep heeft: controleer of hij onbelemmerd beweegt (omhoog en omlaag) en niet vastloopt.
- ◆ Vergewis u ervan dat de wartel onbelemmerd kan bewegen en niet vastloopt.
- ◆ Controleer de staat van de rubberen bus.
- ◆ Vervang beschadigde onderdelen onmiddellijk.
- ◆ Vervang versleten componenten op tijd.
- ◆ Zorg ervoor dat alle bevestigde onderdelen en randapparatuur, zoals slangen en waterafscheiders goed worden onderhouden.

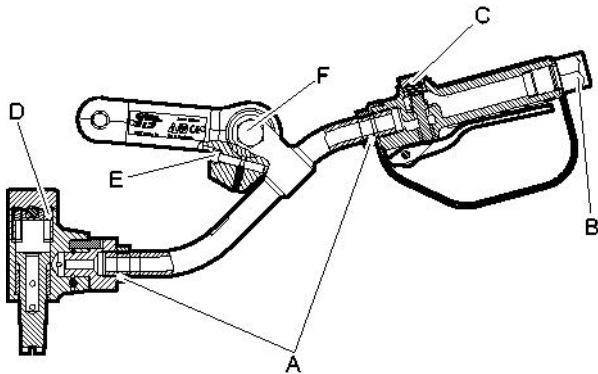
Periodiek onderhoud

Na iedere gebruiksperiode van ongeveer 100 slaguren of drie keer per jaar moet de machine worden ontmanteld en moeten alle onderdelen worden gereinigd en gecontroleerd. Dit werk moet worden uitgevoerd door bevoegd personeel dat is opgeleid voor deze taak.

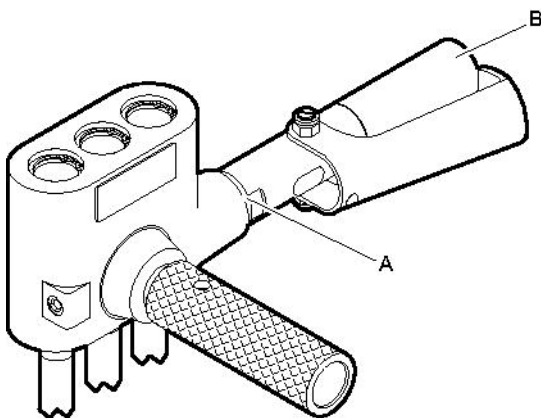
Montageaanwijzingen



CP 0006



CP 0006 SVR



CP 0066

- A. Koppel: 35-40 lbf.ft (47-54 Nm). Gebruik Loctite® 542™. (Loctite is een geregistreerd handelsmerk van de Henkel Corporation. 542 is een handelsmerk van de Henkel Corporation.)
- B. Koppel: 50-60 lbf.ft (68-81 Nm). Gebruik Loctite® 542™.
- C. Koppel: 60-70 lbf.ft (81-95 Nm). Gebruik Loctite® 542™.
- D. Koppel: 15-16 lbf.ft (20-22 Nm). Gebruik Loctite® 242™. (Loctite is een geregistreerd handelsmerk van de Henkel Corporation. 242 is een handelsmerk van de Henkel Corporation.)
- E. Koppel: 13 lbf.ft (17 Nm).
- F. Koppel: 44-52 lbf.ft (60-70 Nm).

Fouten opsporen

Als de bouchardeerhamer niet start, weinig vermogen levert of onregelmatig presteert, controleer dan de volgende punten.

- ♦ Controleer of de plunjer en zuiger schoon en droog zijn.
- ♦ Controleer of het persluchtstelsel de machine van voldoende luchtdruk voorziet om het hoogste vermogen te kunnen leveren.
- ♦ Controleer of de afmeting en lengte van de luchtslang in overeenstemming zijn met de aanbevelingen. Zie onder "Installatie".
- ♦ Als het risico van bevriezing bestaat: controleer of de uitlaatpoorten van de machine niet geblokkeerd zijn.

Als de machine na deze procedure nog steeds niet goed werkt: neem contact op met een erkende werkplaats.

Opslag

- > Reinig de machine grondig voordat u hem opbergt om blootstelling aan gevaarlijke stoffen te vermijden. Zie: "Gevaren van stof en damp".
- > Bewaar de machine altijd op een droge plaats.

Opruimen

Een verbruikte machine moet dusdanig worden verwerkt en verwijderd dat het grootst mogelijke deel van het materiaal kan worden gerecycled, dat negatieve effecten op het milieu tot een minimum worden beperkt en met inachtneming van plaatselijke restricties.

Technische gegevens

Machinegegevens

Type	Gewicht lb (kg)	Lengte in. (mm)	Slagfrequentie Hz	Luchtverbruik foot ³ /min. (l/s)
CP 0006	10 (4,5)	16 ½ (411)	50	27 ½ (13)
CP 0006 SVR	15 (6,8)	20 (510)	51	27 ½ (13)
CP 0066	10 (4,5)	11 (280)	50	27 ½ (13)

Geluids- en trillingsverklaring

Gegarandeerd geluidsvermogensniveau **L_w** conform ISO 3744 in overeenstemming met richtlijn 2000/14/EG.
Geluidsdrukniveau **L_p** volgens ISO 11203.

Trillingswaarde **A** en onzekerheid **B** bepaald volgens ISO 20643. Zie de tabel "Geluids- en trillingsgegevens" voor de waarden van A, B, enz.

Deze verklaarde waarden zijn verkregen d.m.v. een laboratoriumtest overeenkomstig de vermelde richtlijn of normen en ze zijn geschikt voor een vergelijking met de verklaarde waarden van andere gereedschappen die zijn getest overeenkomstig dezelfde richtlijn of normen. Deze verklaarde waarden zijn niet geschikt voor gebruik bij risicobeoordelingen en de waarden die worden opgemeten op individuele werkplekken kunnen hoger zijn. De werkelijke blootstellingswaarden en het risico van letsel zoals ervaren door een individuele gebruiker, zijn uniek en afhankelijk van de manier waarop de gebruiker werkt, in welk materiaal de machine wordt gebruikt, en ook van de blootstellingstijd, de fysieke conditie van de gebruiker en de conditie van de machine.

Wij, Atlas Copco Construction Tolls AB, kunnen niet aansprakelijk worden gesteld voor de gevolgen van het gebruik van de verklaarde waarden in plaats van de waarden die de werkelijke blootstelling weerspiegelen, in een individuele risicobeoordeling in een werkplaatssituatie waarover we geen controle hebben.

Dit gereedschap kan een trillingssyndroom in handen en armen veroorzaken als het gebruik ervan niet adequaat wordt geregeld. Een handleiding van de EU voor het beheer van hand-arm-trillingen is beschikbaar op: <http://www.humanvibration.com/EU/VIBGUIDE.htm>

Wij bevelen de implementatie van een gezondheidscontroleprogramma aan om in een vroegtijdig stadium symptomen te kunnen ontdekken, die mogelijk gerelateerd zijn aan de blootstelling aan trillingen, zodat de beheersprocedures ter preventie van toekomstige stoornissen kunnen worden aangepast.

Geluids- en trillingsgegevens

Type	Geluid		Trilling	
	Verklaarde waarden		Verklaarde waarden	
	Geluidsdruk	Geluidsvermogen	Waarden drie assen	
	ISO 11203	2000/14/EG	ISO 20643	
	L_p r=1m dB(A) rel 20µPa	L_w gegarandeerd dB(A) rel 1pW	A m/s ² waarde	B m/s ² reikwijdten
CP 0006	92	N/A	23,1	2,8
CP 0006 SVR	92	N/A	7,1	1,2
CP 0066	-	N/A	12,8	1,8

EG Conformiteitsverklaring

EG Conformiteitsverklaring (EG-richtlijn 2006/42/EG)

Wij, Atlas Copco Construction Tools AB, verklaren hierbij onder geheel eigen verantwoordelijkheid dat de hieronder vermelde machines in overeenstemming zijn met de eisen van de richtlijnen 2006/42/EG (Machinerichtlijn) en met de hieronder vermelde geharmoniseerde normen.

Draagbare pneumatische bouchardeerder	Pmax (bar)
CP 0006	6.2
CP 0006 SVR	6.2
CP 0066	6.2

De volgende geharmoniseerde normen werden toegepast:

- ◆ ISO/FDIS 11148-4

Gemachtigde vertegenwoordiger technische documentatie:

Erik Sigfridsson
Atlas Copco Construction Tools AB
Dragonvägen 2
Kalmar

Algemeen directeur:

Erik Sigfridsson

Producent:

Atlas Copco Construction Tools AB
105 23 Stockholm
Sweden

Plaats en datum:

Kalmar, 2010-01-01

ΕΛΛΗΝΙΚΑ

Περιεχόμενα

Εισαγωγή.....	119
Σχετικά με τις οδηγίες ασφάλειας και χειρισμού.....	119
Οδηγίες ασφάλειας.....	120
Λέξεις σημάτων ασφαλείας.....	120
Προσωπικές προφυλάξεις και πιστοποιήσεις.....	120
Εγκατάσταση, προφυλάξεις.....	121
Χειρισμός, προφυλάξεις.....	121
Συντήρηση, προφυλάξεις.....	125
Φύλαξη, προφυλάξεις.....	125
Επισκόπηση.....	126
Σχεδιασμός και λειτουργία.....	126
Κύρια μέρη.....	126
Ετικέτες.....	126
Εγκατάσταση.....	127
Εύκαμπτοι σωλήνες και συνδέσεις.....	127
Σύνδεση διαχωριστή νερού.....	127
Έμβολο.....	128
Λειτουργία.....	128
Εκκίνηση και διακοπή λειτουργίας.....	128
Χειρισμός.....	129
Όταν κάνετε διάλειμμα.....	129
Συντήρηση.....	129
Κάθε ημέρα.....	130
Περιοδική συντήρηση.....	130
Οδηγίες συναρμολόγησης.....	130
Αντιμετώπιση προβλημάτων.....	131
Φύλαξη.....	131
Απόρριψη.....	131
Τεχνικά δεδομένα.....	132
Δεδομένα μηχανήματος.....	132
Δήλωση εκπομπών θορύβου και κραδασμών.....	132
Δεδομένα θορύβου και κραδασμών.....	133
Δήλωση Συμμόρφωσης της ΕΚ.....	134
Δήλωση Συμμόρφωσης της ΕΚ (Οδηγία ΕΚ 2006/42/ΕΚ).....	134

Εισαγωγή

Ευχαριστούμε που επιλέξατε τα προϊόντα της Chicago Pneumatic. Για πάνω από έναν αιώνα, η Chicago Pneumatic αντιπροσωπεύει απόδοση και καινοτομία στη βιομηχανία των πνευματικών εργαλείων.

Σήμερα, η Chicago Pneumatic είναι μια πολυεθνική εταιρεία η οποία προσφέρει μια ευρεία γκάμα πνευματικών και υδραυλικών εργαλείων, όπως θραυστήρες, γεωτρήπανα, ματσακόνια, εκσκαφείς, σπαστήρες, λιθόσφυρες, αντλίες και πολλά άλλα.

Η Chicago Pneumatic είναι συνδεδεμένη με ισχυρά και αξιόπιστα προϊόντα, τα οποία χαρακτηρίζονται από την ευκολία συντήρησης και αντιπροσωπεύουν καλή επένδυση χρημάτων.

Για περαιτέρω πληροφορίες, παρακαλούμε επισκεφθείτε τον ιστότοπο: www.cp.com

Atlas Copco Construction Tools AB
105 23 Stockholm
Sweden (Σουηδία)

Σχετικά με τις οδηγίες ασφάλειας και χειρισμού

Σκοπός των οδηγιών είναι να σας προσφέρουν τις γνώσεις που απαιτούνται για το χειρισμό της υδραυλικής συσκευής προετοιμασίας επιφανείας σκυροδέματος με αποτελεσματικό και ασφαλή τρόπο. Οι οδηγίες παρέχουν επίσης συμβουλές και περιγράφουν τη διαδικασία εκτέλεσης τακτικής συντήρησης στην υδραυλική συσκευή προετοιμασίας επιφανείας σκυροδέματος.

Πριν χρησιμοποιήσετε την υδραυλική συσκευή προετοιμασίας επιφανείας σκυροδέματος για πρώτη φορά πρέπει να διαβάσετε αυτές τις οδηγίες προσεκτικά και να τις κατανοήσετε πλήρως.

Οδηγίες ασφάλειας

Προς ελαχιστοποίηση του κινδύνου σοβαρού τραυματισμού ή θανάτου στον εαυτό σας ή άλλους, φροντίστε να διαβάσετε και να κατανοήσετε τις Οδηγίες ασφάλειας και χειρισμού πριν από την εγκατάσταση, λειτουργία, επισκευή, συντήρηση ή αλλαγή παρελκόμενων στο μηχάνημα.

Αναρτήστε αυτό το έντυπο Οδηγιών ασφαλείας και χειρισμού στους χώρους εργασίας, διανείμετε αντίγραφα του στους εργαζόμενους και φροντίστε ώστε να διαβάσουν όλοι αυτές τις Οδηγίες ασφαλείας και χειρισμού πριν από τη χρήση ή τη διενέργεια σέρβις στο μηχάνημα.

Επιπλέον, ο χειριστής ή ο εργοδότης του χειριστή θα πρέπει να προβαίνει σε αξιολόγηση των ειδικών κινδύνων που ενδέχεται να ενέχονται ως αποτέλεσμα της κάθε χρήσης του μηχανήματος.

Λέξεις σημάτων ασφαλείας

Οι λέξεις σημάτων ασφαλείας «Danger» (Κίνδυνος), «Warning» (Προειδοποίηση) και «Caution» (Προσοχή) έχουν την ακόλουθη σημασία:

ΚΙΝΔΥΝΟΣ	Υποδεικνύει μια επικίνδυνη κατάσταση που εάν δεν αποφευχθεί, θα προκαλέσει σοβαρού βαθμού ή θανατηφόρο τραυματισμό.
ΠΡΟΕΙΔΟΠΟΙΗΣΗ	Υποδεικνύει μια επικίνδυνη κατάσταση που εάν δεν αποφευχθεί, μπορεί να προκαλέσει σοβαρού βαθμού ή θανατηφόρο τραυματισμό.
ΠΡΟΣΟΧΗ	Υποδεικνύει μια επικίνδυνη κατάσταση που εάν δεν αποφευχθεί, μπορεί να προκαλέσει ελαφρού ή μετρίου βαθμού τραυματισμό.

Προσωπικές προφυλάξεις και πιστοποιήσεις

Ο χειρισμός και η συντήρηση του μηχανήματος πρέπει να διενεργείται μόνον από εξουσιοδοτημένο και εκπαιδευμένο προσωπικό. Πρέπει να διαθέτουν κατάλληλη σωματική ικανότητα προς χειρισμό του όγκου, του βάρους και της ισχύος του εργαλείου. Να χρησιμοποιείτε πάντα κοινή λογική και καλή κρίση.

Ατομικός προστατευτικός εξοπλισμός

Να χρησιμοποιείτε πάντοτε εγκεκριμένο προστατευτικό εξοπλισμό. Οι χειριστές και όλα τα άλλα άτομα που βρίσκονται στο χώρο εργασίας πρέπει να φορούν προστατευτικό εξοπλισμό που να περιλαμβάνει τουλάχιστον τα εξής:

- > Προστατευτικό κράνος
- > Ωτοασπίδες
- > Προστατευτικά γυαλιά ανθεκτικά στην κρούση με πλευρική προστασία
- > Συσκευή προστασίας της αναπνοής, όταν χρειάζεται
- > Προστατευτικά γάντια
- > Κατάλληλες προστατευτικές μπότες
- > Κατάλληλη φόρμα εργασίας ή παρόμοιο ένδυμα (με σφικτή εφαρμογή στο σώμα) που να καλύπτει τα χέρια και τα πόδια.

Ναρκωτικά, αλκοόλ, φάρμακα

▲ ΠΡΟΕΙΔΟΠΟΙΗΣΗ Ναρκωτικά, αλκοόλ, φάρμακα

Τα ναρκωτικά, το αλκοόλ και τα φάρμακα μπορεί να επηρεάσουν αντίξοα την κρίση σας και την ικανότητα συγκέντρωσης. Κακές αντιδράσεις και λανθασμένες εκτιμήσεις μπορούν να οδηγήσουν σε σοβαρά ατυχήματα ή θάνατο.

- ▶ Μη χρησιμοποιείτε ποτέ το μηχάνημα εάν είστε κουρασμένοι ή υπό την επήρεια ναρκωτικών, αλκοόλ ή φαρμάκων.
- ▶ Δεν επιτρέπεται ο χειρισμός του μηχανήματος από άτομα που βρίσκονται υπό την επήρεια ναρκωτικών, αλκοόλ ή φαρμάκων.

Εγκατάσταση, προφυλάξεις

▲ ΚΙΝΔΥΝΟΣ Ανεξέλεγκτες κινήσεις του εύκαμπτου σωλήνα

Εάν ένας εύκαμπτος σωλήνας πεπιεσμένου αέρα αποσυνδεθεί ενώ βρίσκεται υπό πίεση, είναι δυνατόν να κινηθεί με μεγάλη ταχύτητα και δύναμη και να προκαλέσει σοβαρό τραυματισμό ή θάνατο. Για να ελαχιστοποιήσετε αυτόν τον κίνδυνο:

- ▶ Βεβαιωθείτε ότι ο εύκαμπτος σωλήνας πεπιεσμένου αέρα και οι συνδέσεις δεν έχουν υποστεί ζημιά, φροντίστε για την αντικατάστασή τους εάν απαιτείται.
- ▶ Βεβαιωθείτε ότι όλες οι συνδέσεις πεπιεσμένου αέρα είναι κατάλληλα προσαρμοσμένες.
- ▶ Μην μεταφέρετε ποτέ ένα πνευματικό μηχάνημα συγκρατώντας το από τον εύκαμπτο σωλήνα αέρα.
- ▶ Μην επιχειρήσετε ποτέ να αποσυνδέσετε έναν εύκαμπτο σωλήνα πεπιεσμένου αέρα όταν βρίσκεται υπό πίεση. Πρώτα διακόψτε την παροχή πεπιεσμένου αέρα στο συμπιεστή και στη συνέχεια εξαρώστε το μηχάνημα ενεργοποιώντας τη διάταξη εκκίνησης/διακοπής της λειτουργίας.
- ▶ Μην στρέφετε ποτέ έναν εύκαμπτο σωλήνα πεπιεσμένου αέρα προς το σώμα σας ή προς την κατεύθυνση άλλου ατόμου. Για να αποφύγετε τον κίνδυνο τραυματισμού, μην χρησιμοποιείτε ποτέ πεπιεσμένο αέρα για να απομακρύνετε ακαθαρσίες, σκόνη κ.λ.π. από τα ρούχα σας.
- ▶ Μην χρησιμοποιείτε ζεύξεις ταχείας αποσύνδεσης στην εισαγωγή του εργαλείου. Να χρησιμοποιείτε εξαρτήματα με σπείρωμα στερέωσης εύκαμπτου σωλήνα από σκληρυμένο χάλυβα (ή υλικό με συγκρίσιμη αντοχή στις κρούσεις).
- ▶ Όταν χρησιμοποιείτε ζεύξεις συστροφής (ζεύξεις με σιαγόνες), συνιστάται η τοποθέτηση πείρων ασφάλισης και η χρήση καλωδίων ασφαλείας για τον έλεγχο ανεξέλεγκτων κινήσεων ώστε να παρέχεται προστασία σε περίπτωση αστοχίας των συνδέσεων μεταξύ εύκαμπτου σωλήνα και εργαλείου όπως και μεταξύ τμημάτων εύκαμπτου σωλήνα.

Χειρισμός, προφυλάξεις

▲ ΚΙΝΔΥΝΟΣ Κίνδυνος έκρηξης

Εάν ένα έμβολο έλθει σε επαφή με εκρηκτικά υλικά ή εκρηκτικά αέρια, ενδέχεται να προκληθεί έκρηξη. Όταν εργάζεστε με συγκεκριμένα υλικά και χρησιμοποιείτε εξαρτήματα μηχανήματος κατασκευασμένα από ορισμένα υλικά, ενδέχεται να προκληθούν σπινθήρες και ανάφλεξη. Οι εκρήξεις καταλήγουν σε σοβαρό τραυματισμό ή θάνατο.

- ▶ Μην χειρίζεστε ποτέ το μηχάνημα σε εκρήξιμο περιβάλλον.
- ▶ Μην χρησιμοποιείτε ποτέ το μηχάνημα κοντά σε εύφλεκτα υλικά, αναθυμιάσεις ή σκόνη.
- ▶ Να βεβαιώνετε ότι δεν υπάρχουν αέρια ή εκρηκτικά άγνωστης προέλευσης.

▲ ΠΡΟΕΙΔΟΠΟΙΗΣΗ Μη αναμενόμενες κινήσεις

Το έμβολο υποβάλλεται σε βαριά καταπόνηση κατά τη χρήση του μηχανήματος. Το έμβολο ενδέχεται να υποστεί θραύση λόγω κόπωσης μετά από κάποιο διάστημα χρήσης. Εάν το έμβολο υποστεί θραύση ή κολλήσει, ενδέχεται να προκληθούν ξαφνικές και μη αναμενόμενες κινήσεις του μηχανήματος που είναι δυνατόν να προκαλέσουν τραυματισμό. Επιπλέον, ενδέχεται να τραυματιστείτε εάν χάσετε την ισορροπία σας ή γλιστρήσετε.

- ▶ Να φροντίζετε πάντα ώστε η θέση σας να είναι σταθερή και να διατηρείτε το βάρος του σώματός σας σε ισορροπία.
- ▶ Να επιθεωρείτε πάντα τον εξοπλισμό πριν από τη χρήση. Μην χρησιμοποιείτε ποτέ τον εξοπλισμό, εάν υποψιάζεστε ότι έχει υποστεί ζημιά.
- ▶ Να βεβαιώνετε ότι οι λαβές είναι καθαρές και δεν φέρουν ίχνη γράσου ή λαδιού.
- ▶ Να κρατάτε τα χέρια και τα πόδια σας μακριά από το έμβολο.
- ▶ Να κρατάτε πάντα το μηχάνημα και με τα δύο χέρια.
- ▶ Μην κτυπάτε ποτέ και μην κακομεταχειρίζεστε τον εξοπλισμό.
- ▶ Να ελέγχετε τακτικά το έμβολο για φθορά, καθώς και για ίχνη ζημίας ή ορατές ρωγμές.
- ▶ Να δίνετε μεγάλη προσοχή και να παρακολουθείτε αυτό που κάνετε.

▲ ΠΡΟΕΙΔΟΠΟΙΗΣΗ Κίνδυνος λόγω σκόνης και αναθυμιάσεων

Τα είδη σκόνης ή/και αναθυμιάσεων τα οποία εκλύονται ή διαχέονται κατά τη χρήση του μηχανήματος ενδέχεται να προκαλέσουν σοβαρές και μόνιμες βλάβες και παθήσεις του αναπνευστικού ή άλλες σωματικές βλάβες (π.χ. πυριτίωση ή άλλη μη αναστρέψιμη πάθηση των πνευμόνων η οποία είναι δυνατόν να είναι θανατηφόρα, καρκίνο, συγγενείς ανωμαλίες ή/και ερεθισμό του δέρματος).

Ορισμένα είδη σκόνης ή αναθυμιάσεων τα οποία εκλύονται κατά τη διάτρηση, θραύση, σφυρηλάτηση, πριόνισμα και άλλες κατασκευαστικές δραστηριότητες περιέχουν χημικές ουσίες οι οποίες είναι γνωστό, στην πολιτεία της Καλιφόρνια και άλλες αρχές, ότι προκαλούν αναπνευστικές παθήσεις, καρκίνο, συγγενείς ανωμαλίες ή άλλες βλάβες του αναπαραγωγικού συστήματος. Ορισμένα παραδείγματα τέτοιων χημικών ουσιών είναι τα εξής:

- > Κρυσταλλικό πυρίτιο, τσιμέντο και άλλα οικοδομικά υλικά.
- > Αρσενικό και χρώμιο από χημικά επεξεργασμένο ελαστικό.
- > Μόλυβδος από χρώματα που έχουν ως βάση το μόλυβδο.

Η σκόνη και οι αναθυμιάσεις στην ατμόσφαιρα είναι δυνατόν να μην διακρίνονται με γυμνό οφθαλμό, επομένως μην βασίζεστε στην όραση για τον προσδιορισμό εάν υπάρχει σκόνη ή αναθυμιάσεις στην ατμόσφαιρα.

Προς ελαχιστοποίηση του κινδύνου έκθεσης σε σκόνη και αναθυμιάσεις, φροντίστε για όλα τα εξής:

- ▶ Διενέργεια αξιολόγησης των κινδύνων για τη συγκεκριμένη περιοχή. Η αξιολόγηση των κινδύνων θα πρέπει να περιλαμβάνει τη σκόνη και τις αναθυμιάσεις που εκλύονται λόγω χρήσης του μηχανήματος όπως και το ενδεχόμενο διαταραχής της υπάρχουσας σκόνης.
- ▶ Χρήση κατάλληλου μηχανολογικού εξοπλισμού, προς ελαχιστοποίηση της ποσότητας σκόνης και αναθυμιάσεων η οποία εκλύεται στην ατμόσφαιρα όπως και ελαχιστοποίηση της συσσώρευσης πάνω σε εξοπλισμό, επιφάνειες, ρουχισμό και διάφορα μέρη του σώματος. Στα παραδείγματα εξοπλισμού αυτού του είδους περιλαμβάνονται τα εξής: Συστήματα απαγωγής, αερισμού και συλλογής σκόνης, ψεκαστήρες νερού και διάτρηση με χρήση υγρού. Να ελέγχετε την έκλυση σκόνης και αναθυμιάσεων στην πηγή, κατά το δυνατόν. Να φροντίζετε ώστε ο εξοπλισμός να εγκαθίσταται κατάλληλα και να συντηρείται σωστά.

- ▶ Να φοράτε, να συντηρείτε και να χρησιμοποιείτε κατάλληλα αναπνευστική προστασία, όπως συνιστάται από τον εργοδότη σας και απαιτείται από τους κανονισμούς περί υγείας και ασφάλειας στους επαγγελματικούς χώρους. Η αναπνευστική προστασία απαιτείται να είναι αποτελεσματική ανάλογα με τον τύπο της χημικής ουσίας που σας αφορά (και να είναι εγκεκριμένη από την αρμόδια κρατική αρχή, εάν απαιτείται).
- ▶ Να εργάζεστε σε καλώς αεριζόμενο χώρο.
- ▶ Εάν το μηχάνημα διαθέτει εξαγωγή, κατευθύνετε την εξαγωγή κατάλληλα, ώστε να αποτρέπεται η διαταραχή της σκόνης σε περιβάλλον το οποίο περιέχει σκόνη.
- ▶ Να χειρίζεστε και να συντηρείτε το μηχάνημα, όπως συνιστάται στις οδηγίες ασφάλειας και χειρισμού.
- ▶ Να επιλέγετε, να συντηρείτε και να αντικαθιστάτε τα αναλώσιμα/ εργαλεία εισαγωγής/ άλλα παρελκόμενα, όπως συνιστάται στις οδηγίες ασφάλειας και χειρισμού. Η εσφαλμένη επιλογή ή έλλειψη συντήρησης των αναλωσίμων/ εργαλείων εισαγωγής/ άλλων παρελκόμενων ενδέχεται να προκαλέσει άσκοπη αύξηση της σκόνης ή των αναθυμιάσεων.
- ▶ Στο χώρο εργασίας, να φοράτε προστατευτικά ρούχα που πλένονται ή είναι μιας χρήσης. Να κάνετε ντους και να φοράτε καθαρά ρούχα πριν φύγετε από το χώρο εργασίας για να ελαχιστοποιείτε τη δική σας έκθεση στη σκόνη και στις αναθυμιάσεις ή την έκθεση άλλων ατόμων, αυτοκινήτων, σπιτιών και άλλων χώρων.
- ▶ Να αποφεύγετε τη λήψη τροφής, ποτών και τη χρήση προϊόντων καπνιστού σε χώρους όπου υπάρχει σκόνη ή αναθυμιάσεις.
- ▶ Να πλένετε τα χέρια και το πρόσωπό σας σχολαστικά αμέσως μόλις φύγετε από το χώρο έκθεσης, εάν αυτό είναι δυνατόν, και πάντα πριν από τη λήψη τροφής ή ποτών, τη χρήση προϊόντων καπνιστού ή πριν από την επαφή με άλλα άτομα.
- ▶ Να συμμορφώνεστε με τους ισχύοντες νόμους και κανονισμούς, όπως και τους κανονισμούς περί υγείας και ασφάλειας στους επαγγελματικούς χώρους.

- ▶ Να συμμετέχετε στην παρακολούθηση της ατμοσφαιράς, στα προγράμματα ιατρικών εξετάσεων, όπως και στα προγράμματα εκπαίδευσης σε θέματα υγείας και ασφάλειας που παρέχονται από τον εργοδότη σας ή οργανισμούς του κλάδου και σύμφωνα με τους κανονισμούς και τις συστάσεις περί υγείας και ασφάλειας στους επαγγελματικούς χώρους. Ζητήστε τη συμβουλή ιατρών με εμπειρία στο σχετικό πεδίο επαγγελματικής ιατρικής.
- ▶ Συνεργαστείτε με τον εργοδότη και τον επαγγελματικό σας οργανισμό προς μείωση της έκθεσης στη σκόνη και στις αναθυμιάσεις του χώρου εργασίας και προς μείωση των κινδύνων. Απαιτείται η θέσπιση και η εφαρμογή αποτελεσματικών προγραμμάτων, πολιτικών και διαδικασιών υγείας και ασφάλειας με σκοπό την προστασία των εργαζομένων και των τρίτων από την επικίνδυνη έκθεση σε σκόνη και αναθυμιάσεις, βάσει των οδηγιών των ειδικών σε θέματα υγείας και ασφάλειας. Ζητήστε τη συμβουλή ειδικών.

▲ ΠΡΟΕΙΔΟΠΟΙΗΣΗ Εκτίναξη αντικειμένων

Τυχόν αστοχία του τεμαχίου εργασίας, των παρελκόμενων ή ακόμη και του ίδιου του εργαλείου ενδέχεται να προκαλέσει εκτίναξη αντικειμένων με μεγάλη ταχύτητα. Κατά τη διάτρηση, θραύσματα ή άλλα σωματίδια από το υλικό με το οποίο εργάζεστε ενδέχεται να εκτιναχτούν και να προκαλέσουν τραυματισμό χτυπώντας το χειριστή ή άλλα άτομα. Για να ελαχιστοποιήσετε αυτούς τους κινδύνους:

- ▶ Να χρησιμοποιείτε εγκεκριμένο εξοπλισμό ατομικής προστασίας και κράνος ασφαλείας, όπως και ανθεκτικά σε κρούσεις γυαλιά ασφαλείας με πλευρική προστασία.
- ▶ Να φροντίζετε ώστε κανείς άλλος, εκτός από το εξουσιοδοτημένο προσωπικό, να μην εισέρχεται στην περιοχή εργασίας.
- ▶ Να διατηρείτε το χώρο εργασίας ελεύθερο από αντικείμενα που δεν σχετίζονται με την εργασία σας.
- ▶ Να φροντίζετε ώστε το τεμάχιο εργασίας να είναι σταθερά στερεωμένο.

▲ ΠΡΟΕΙΔΟΠΟΙΗΣΗ Κίνδυνοι λόγω ολίσθησης, παραπατήματος και πτώσης

Υπάρχει κίνδυνος ολίσθησης ή παραπατήματος και πτώσης, π.χ. παραπατήματος πάνω στους εύκαμπτους σωλήνες του μηχανήματος ή άλλα αντικείμενα. Η ολίσθηση, το παραπάτημα και η πτώση είναι δυνατόν να προκαλέσουν τραυματισμό. Για να ελαχιστοποιήσετε αυτόν τον κίνδυνο:

- ▶ Να φροντίζετε πάντα ώστε να μην υπάρχει κανένας εύκαμπτος σωλήνας ή άλλο αντικείμενο στο δρόμο σας ή στο δρόμο οποιουδήποτε άλλου ατόμου.
- ▶ Να φροντίζετε πάντα ώστε η θέση σας να είναι σταθερή και να διατηρείτε το βάρος του σώματός σας σε ισορροπία.

▲ ΠΡΟΕΙΔΟΠΟΙΗΣΗ Κίνδυνοι λόγω κίνησης

Κατά τη χρήση του μηχανήματος για την εκτέλεση διαφόρων δραστηριοτήτων που σχετίζονται με την εργασία, ενδέχεται να αισθανθείτε δυσφορία σε χέρια, βραχίονες, ώμους, λαιμό ή άλλα σημεία του σώματος.

- ▶ Φροντίστε να υιοθετήσετε μια άνετη στάση ενώ συνεχίζετε να στηρίζετε στα πόδια σας σταθερά και να αποφεύγετε ενοχλητικές στάσεις στις οποίες δεν είναι δυνατόν να διατηρήσετε την ισορροπία σας.
- ▶ Στη διάρκεια παρατεταμένων εργασιών, η αλλαγή στάσης ενδέχεται να διευκολύνει την αντιμετώπιση της δυσφορίας και της κόπωσης.
- ▶ Σε περίπτωση επίμονων ή επανειλημμένων συμπτωμάτων, συμβουλευτείτε ειδικευμένο ιατρό.

▲ ΠΡΟΕΙΔΟΠΟΙΗΣΗ Κίνδυνοι από κραδασμούς

Η κανονική και σωστή χρήση του μηχανήματος εκθέτει το χειριστή σε κραδασμούς. Η τακτική και συχνή έκθεση σε κραδασμούς ενδέχεται να προκαλέσει, να συμβάλει ή να επιδεινώσει τραυματισμούς ή παθήσεις στα δάκτυλα, στα χέρια, στους καρπούς, στους βραχίονες, στους ώμους ή/και στα νεύρα και στην αιμάτωση ή σε άλλα μέρη του σώματος του χειριστή και επίσης να προκαλέσει εξασθένηση ή/και μόνιμες βλάβες ή παθήσεις οι οποίες ενδέχεται να εξελιχθούν σταδιακά σε διάστημα εβδομάδων, μηνών ή ετών. Οι τραυματισμοί ή οι παθήσεις αυτού του είδους ενδέχεται να περιλαμβάνουν βλάβη στο σύστημα κυκλοφορίας του αίματος, βλάβη στο νευρικό σύστημα, βλάβη στις αρθρώσεις και ενδεχομένως βλάβη σε άλλες δομές του σώματος.

Εάν αισθανθείτε μούδιασμα, επίμονη και επαναλαμβανόμενη δυσφορία, αίσθηση καψίματος, δυσκαμψία, έντονες σφύξεις, μυρμήγκιασμα, πόνο, αδεξιότητα, αδυναμία συγκράτησης στα χέρια, παρατηρήσετε λεύκανση του δέρματος ή άλλα συμπτώματα οποιαδήποτε στιγμή, κατά το χειρισμό ή μη του μηχανήματος, διακόψτε τη χρήση του μηχανήματος και αναζητήστε ιατρική συμβουλή. Εάν συνεχίσετε να χρησιμοποιείτε το μηχάνημα μετά την εμφάνιση οποιουδήποτε από αυτά τα συμπτώματα, ενδέχεται να αυξηθεί ο κίνδυνος να γίνουν τα συμπτώματα πιο σοβαρά ή/και μόνιμα.

Να χειρίζεστε και να συντηρείτε το μηχάνημα όπως συνιστάται στις παρούσες οδηγίες, ώστε να αποτραπεί η άσκοπη αύξηση των κραδασμών.

Οι συμβουλές που ακολουθούν ενδέχεται να διευκολύνουν στη μείωση της έκθεσης του χειριστή σε κραδασμούς:

- ▶ Να αφήνετε το εργαλείο να κάνει τη δουλειά. Η λαβή σας πρέπει να είναι η ελάχιστη που απαιτείται για το σωστό έλεγχο και την ασφαλή λειτουργία του μηχανήματος.
- ▶ Όταν ο κρουστικός μηχανισμός είναι ενεργοποιημένος, το μοναδικό σημείο που θα πρέπει το σώμα σας να έρχεται σε επαφή με το μηχάνημα είναι τα χέρια σας πάνω στη λαβή ή στις λαβές. Να αποφεύγετε οποιαδήποτε άλλη επαφή, π.χ. να στηρίζετε οποιοδήποτε τμήμα του σώματός σας πάνω στο μηχάνημα ή να σκύβετε πάνω από το μηχάνημα προσπαθώντας να αυξήσετε την ασκούμενη δύναμη. Είναι επίσης σημαντικό να μην κρατάτε τη διάταξη εκκίνησης/διακοπής της λειτουργίας πατημένη καθώς αποσπάτε το εργαλείο από την επιφάνεια εργασίας.

- ▶ Εάν χρησιμοποιείτε φθαρμένο έμβολο, απαιτείται μεγαλύτερος χρόνος ολοκλήρωσης της εργασίας, και ενδέχεται να καταλήξει σε υψηλότερα επίπεδα έκθεσης σε κραδασμούς. Φροντίστε το έμβολο να είναι καλοσυντηρημένο και όχι φθαρμένο. Είναι επίσης σημαντικό να χρησιμοποιείτε αιχμηρό έμβολο, ώστε να μπορείτε να εργάζεστε αποτελεσματικά.
- ▶ Διακόψτε αμέσως την εργασία, εάν το μηχάνημα αρχίσει ξαφνικά να παρουσιάζει ισχυρούς κραδασμούς. Πριν συνεχίσετε την εργασία, εντοπίστε και εξαλείψτε την αιτία των αυξημένων κραδασμών.
- ▶ Μην πιάνετε, κρατάτε ή αγγίζετε ποτέ το έμβολο όταν χρησιμοποιείτε το μηχάνημα.
- ▶ Να συμμετέχετε στην παρακολούθηση ή τον έλεγχο υγείας, στις ιατρικές εξετάσεις και στα προγράμματα εκπαίδευσης που προσφέρονται από τον εργοδότη σας ή επιβάλλονται από τη νομοθεσία.
- ▶ Όταν εργάζεστε σε συνθήκες ψύχους, να φοράτε ζεστά ρούχα και να διατηρείτε τα χέρια σας ζεστά και στεγνά.

Ανατρέξτε στην ενότητα “Δήλωση εκπομπών θορύβου και κραδασμών” για το μηχάνημα, όπως και τις δηλωμένες τιμές κραδασμών. Οι εν λόγω πληροφορίες βρίσκονται στο τέλος του κειμένου αυτών των οδηγιών ασφάλειας και χειρισμού.

- ◆ Να χρησιμοποιείτε τη συνιστώμενη πίεση αέρα όταν χρησιμοποιείτε το μηχάνημα. Υψηλότερη ή χαμηλότερη πίεση αέρα ενδέχεται να προκαλέσει υψηλότερη στάθμη κραδασμών.

▲ ΚΙΝΔΥΝΟΣ Κίνδυνος από το ηλεκτρικό ρεύμα

Το μηχάνημα δεν είναι ηλεκτρικά μονωμένο. Εάν το μηχάνημα έλθει σε επαφή με ηλεκτρικό ρεύμα, ενδέχεται να προκληθεί σοβαρού βαθμού ή θανατηφόρος τραυματισμός.

- ▶ Μη χρησιμοποιείτε ποτέ το μηχάνημα κοντά σε ηλεκτρικά καλώδια ή άλλη πηγή ηλεκτρισμού.
- ▶ Βεβαιωθείτε ότι δεν υπάρχουν κρυμμένα καλώδια ή άλλες πηγές ηλεκτρισμού στην περιοχή εργασίας σας.

▲ ΠΡΟΕΙΔΟΠΟΙΗΣΗ Κίνδυνος από κρυμμένα αντικείμενα

Κατά το χειρισμό, τα κρυμμένα καλώδια και οι σωλήνες αποτελούν κίνδυνο σοβαρού τραυματισμού.

- ▶ Πριν χρησιμοποιήσετε το μηχάνημα, ελέγξτε την υφή του υλικού.
- ▶ Έχετε το νου σας για κρυμμένα καλώδια και σωληνώσεις π.χ. γραμμές ηλεκτρικού ρεύματος, τηλεφώνου, νερού, φυσικού αερίου και αποχέτευσης κ.λ.π.
- ▶ Εάν το έμβολο φαίνεται να έχει χτυπήσει σε κρυμμένο αντικείμενο, απενεργοποιήστε το μηχάνημα αμέσως.
- ▶ Βεβαιωθείτε ότι δεν υπάρχει κίνδυνος πριν συνεχίσετε.

▲ ΠΡΟΕΙΔΟΠΟΙΗΣΗ Ακούσια εκκίνηση

Η ακούσια εκκίνηση του μηχανήματος ενδέχεται να προκαλέσει τραυματισμό.

- ▶ Να κρατάτε τα χέρια σας μακριά από τη διάταξη εκκίνησης/διακοπής της λειτουργίας έως ότου είστε έτοιμοι να εκκινήσετε το μηχάνημα.
- ▶ Μάθετε πώς μπορείτε να απενεργοποιήσετε το μηχάνημα σε περίπτωση έκτακτης ανάγκης.
- ▶ Να ελευθερώνετε αμέσως τη διάταξη εκκίνησης/διακοπής της λειτουργίας σε όλες τις περιπτώσεις διακοπής της παροχής ισχύος.
- ▶ Κατά τη συντήρηση του μηχανήματος απενεργοποιήστε την παροχή αέρα, εξαερώστε το μηχάνημα πιέζοντας τη διάταξη εκκίνησης/διακοπής της λειτουργίας και αποσυνδέστε το μηχάνημα από την παροχή ισχύος.

▲ ΠΡΟΕΙΔΟΠΟΙΗΣΗ Κίνδυνος από θορύβους

Τα υψηλά επίπεδα θορύβου είναι δυνατόν να προκαλέσουν μόνιμη απώλεια ακοής και άλλα προβλήματα όπως tinnitus (κουδούνισμα, βόμβο, σφύριγμα ή βούισμα στα αυτιά). Προς ελαχιστοποίηση του κινδύνου και πρόληψη της μη απαραίτητης αύξησης των επιπέδων θορύβου:

- ▶ Η αξιολόγηση κινδύνου σε αυτές τις περιπτώσεις και η εφαρμογή κατάλληλων μηχανισμών ελέγχου είναι ουσιώδης.
- ▶ Χειρισμός και συντήρηση του μηχανήματος, όπως συνιστάται στις παρούσες οδηγίες.
- ▶ Επιλογή, συντήρηση και αντικατάσταση του εργαλείου εισαγωγής, όπως συνιστάται στις παρούσες οδηγίες.

- ▶ Εάν το μηχάνημα διαθέτει σιγαστήρα, βεβαιωθείτε ότι βρίσκεται στη θέση του και είναι σε καλή κατάσταση.
- ▶ Χρήση προστατευτικών ακοής, πάντα.
- ▶ Να χρησιμοποιείτε υλικό απόσβεσης κραδασμών, ώστε να αποτρέπεται το «κουδούνισμα».

Συντήρηση, προφυλάξεις**▲ ΠΡΟΕΙΔΟΠΟΙΗΣΗ Τροποποίηση μηχανήματος**

Οποιαδήποτε τροποποίηση του μηχανήματος ενδέχεται να προκαλέσει τραυματισμό σε εσάς ή σε άλλα άτομα.

- ▶ Μην τροποποιήσετε ποτέ το μηχάνημα. Τα τροποποιημένα μηχανήματα δεν καλύπτονται από εγγύηση ή ευθύνη για το προϊόν.
- ▶ Να χρησιμοποιείτε πάντα γνήσια εξαρτήματα, εργαλεία εισαγωγής και παρελκόμενα.
- ▶ Να αντικαθιστάτε αμέσως τα εξαρτήματα που έχουν υποστεί ζημιά.
- ▶ Να αντικαθιστάτε εγκαίρως τα εξαρτήματα που έχουν υποστεί φθορά.

▲ ΠΡΟΣΟΧΗ Καυτό έμβολο

Το άκρο του εμβόλου θερμαίνεται και γίνεται αιχμηρό κατά τη χρήση. Εάν το αγγίξετε, είναι δυνατόν να σας προκαλέσει εγκαύματα και κοψίματα.

- ▶ Μην αγγίζετε ποτέ ένα καυτό ή αιχμηρό έμβολο.
- ▶ Περιμένετε να ψυχθεί το έμβολο πριν από οποιαδήποτε εργασία συντήρησης.

Φύλαξη, προφυλάξεις

- ◆ Να φυλάσσετε το μηχάνημα και τα εργαλεία σε ασφαλή χώρο, κλειδωμένο και απρόσιτο στα παιδιά.

Επισκόπηση

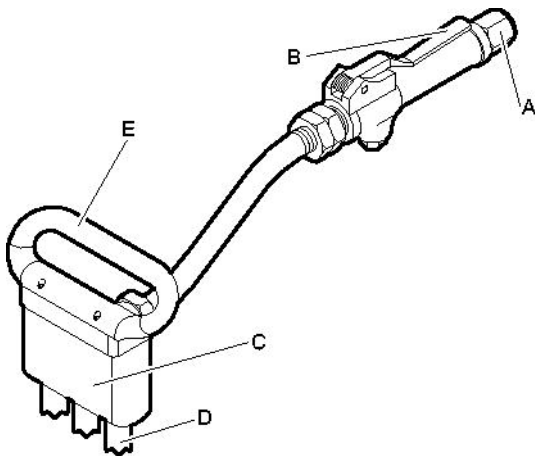
Για να μειώσετε τον κίνδυνο πρόκλησης σοβαρού ή θανατηφόρου τραυματισμού στον εαυτό σας ή σε άλλους, διαβάστε την ενότητα «Οδηγίες ασφάλειας» (βρίσκεται στις προηγούμενες σελίδες του παρόντος εγχειριδίου) πριν χρησιμοποιήσετε το μηχάνημα.

Σχεδιασμός και λειτουργία

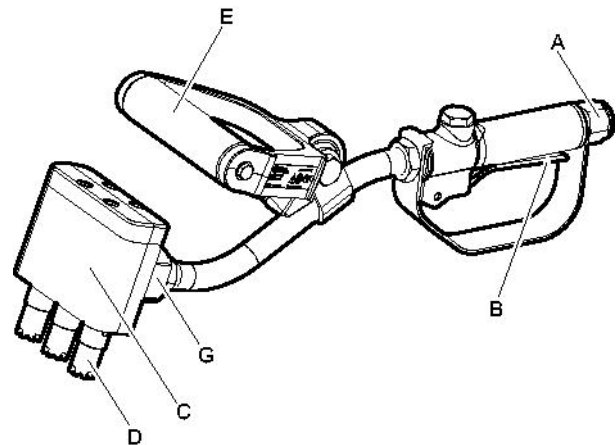
Τα CP 0006, CP 0006 SVR και CP 0066 είναι μηχανήματα που έχουν σχεδιαστεί για την απολέπιση, εκτράχυνση ή αφαίρεση σκυροδέματος. Είναι δυνατόν να χρησιμοποιηθούν επίσης για την αφαίρεση στρωμάτων σκυρίας από χαλύβδινες επιφάνειες. Το μηχάνημα είναι δυνατόν να χρησιμοποιηθεί τόσο σε οριζόντια όσο και σε κάθετη θέση. Δεν επιτρέπεται καμία άλλη χρήση.

Για να επιλέξετε τα κατάλληλα έμβολα, ανατρέξτε στον κατάλογο ανταλλακτικών εξαρτημάτων.

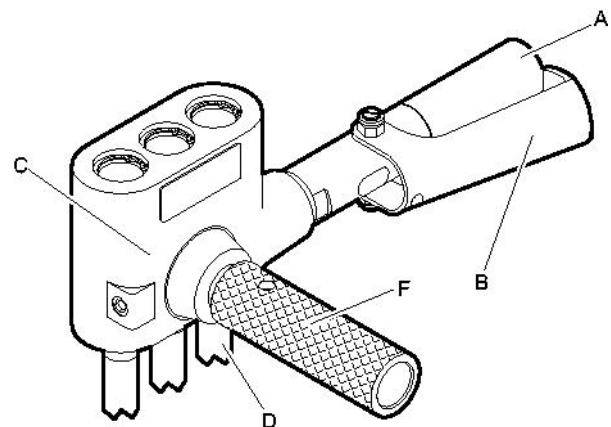
Κύρια μέρη



CP 0006



CP 0006 SVR



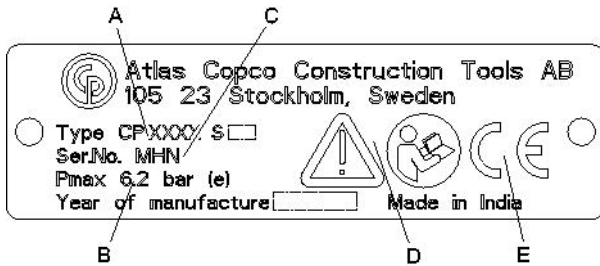
CP 0066

- A. Εισαγωγή αέρα
- B. Διάταξη εκκίνησης/διακοπής της λειτουργίας
- C. Κύλινδρος
- D. Έμβολο
- E. Εμπρόσθια λαβή
- F. Πλευρική λαβή
- G. Στροφέας

Ετικέτες

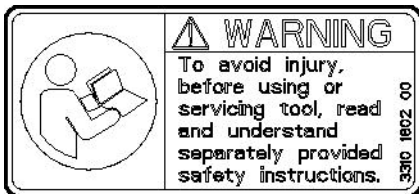
Στο μηχάνημα υπάρχουν ετικέτες που περιέχουν σημαντικές πληροφορίες σχετικά με την προσωπική ασφάλεια και τη συντήρηση του μηχανήματος. Οι ετικέτες απαιτείται να βρίσκονται σε καλή κατάσταση, ώστε να διευκολύνεται η ανάγνωσή τους. Μπορείτε να παραγγείλετε ετικέτες από τον κατάλογο ανταλλακτικών εξαρτημάτων.

Πινακίδα δεδομένων



- A. Τύπος μηχανήματος
- B. Μέγιστη επιτρεπόμενη πίεση πεπιεσμένου αέρα
- C. Αριθμός σειράς
- D. Το προειδοποιητικό σύμβολο μαζί με το σύμβολο του βιβλίου σημαίνουν ότι ο χειριστής απαιτείται να διαβάσει τις Οδηγίες ασφάλειας και χειρισμού πριν χρησιμοποιήσει το μηχάνημα για πρώτη φορά.
- E. Το σύμβολο CE σημαίνει ότι το μηχάνημα είναι εγκεκριμένο από την ΕΚ. Για περαιτέρω πληροφορίες, ανατρέξτε στη δήλωση ΕΚ η οποία συνοδεύει το μηχάνημα. Εάν το σύμβολο CE δεν υπάρχει, αυτό σημαίνει ότι το μηχάνημα δεν είναι εγκεκριμένο από την ΕΚ.

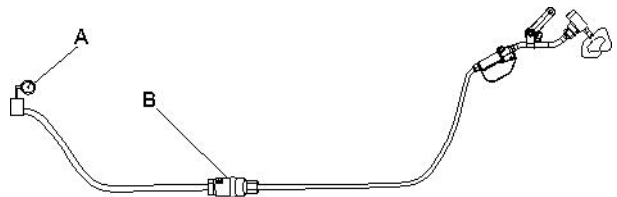
Ετικέτα ασφάλειας



Προς αποφυγή τραυματισμού, πριν από τη χρήση ή τη διενέργεια σέρβις στο εργαλείο, φροντίστε να διαβάσετε και να κατανοήσετε τις χωριστά παρεχόμενες οδηγίες ασφάλειας.

Εγκατάσταση

Εύκαμπτοι σωλήνες και συνδέσεις



- A. Παροχή πεπιεσμένου αέρα
- B. Διαχωριστής νερού (προαιρετικό)
- ♦ Βεβαιωθείτε ότι χρησιμοποιείτε την κατάλληλη συνιστώμενη πίεση λειτουργίας, 87 psig (6 bar (e)).
 - ♦ Μην υπερβαίνετε τη μέγιστη επιτρεπόμενη πίεση αέρα 90 psig (6,2 bar (e)).
 - ♦ Φυσηξτε για να απομακρύνετε τυχόν ακαθαρσίες από τον εύκαμπτο σωλήνα πεπιεσμένου αέρα πριν τον συνδέσετε στο μηχάνημα.
 - ♦ Επιλέξτε τη σωστή διάσταση και το σωστό μήκος για τον εύκαμπτο σωλήνα πεπιεσμένου αέρα. Για τμήματα εύκαμπτου σωλήνα έως 100 feet (30 m), θα πρέπει να χρησιμοποιηθεί εύκαμπτος σωλήνας ελάχιστης εσωτερικής διαμέτρου 3/4" (19 mm). Εάν το μήκος του εύκαμπτου σωλήνα είναι μεταξύ 100 και 330 feet (30 και 100 m), θα πρέπει να χρησιμοποιηθεί εύκαμπτος σωλήνας με ελάχιστη εσωτερική διάμετρο 1" (25 mm).
 - ♦ Μην λιπαίνετε το έμβολο. Είναι δυνατόν να καταλήξει σε ακούσιες διακοπές της λειτουργίας του μηχανήματος.
 - ♦ Μια επιλογή ώστε να καταστεί ο χειρισμός του μηχανήματος πιο εύκολος, είναι η χρήση ελαστικού σωλήνα με εσωτερική διάμετρο 3/8" (9,5 mm) και μήκος 10 feet (3 m), πιο κοντά στο μηχάνημα.

Σύνδεση διαχωριστή νερού

Χρησιμοποιήστε έναν ελαστικό σωλήνα με το κατάλληλο μήκος μεταξύ συμπιεστή και διαχωριστή νερού για να διασφαλίσετε ότι οι υδρατμοί ψύχονται και συμπυκνώνονται στον ελαστικό σωλήνα πριν φτάσουν στο διαχωριστή νερού.

Εάν η θερμοκρασία περιβάλλοντος είναι μικρότερη από 32 °F (0 °C), ο ελαστικός σωλήνας πρέπει να έχει αρκετά μικρό μήκος ώστε το νερό να μην παγώνει πριν φτάσει στο διαχωριστή νερού.

Έμβολο

▲ ΠΡΟΣΟΧΗ Καυτό έμβολο

Το άκρο του εμβόλου θερμαίνεται και γίνεται αιχμηρό κατά τη χρήση. Εάν το αγγίξετε, είναι δυνατόν να σας προκαλέσει εγκαύματα και κοψίματα.

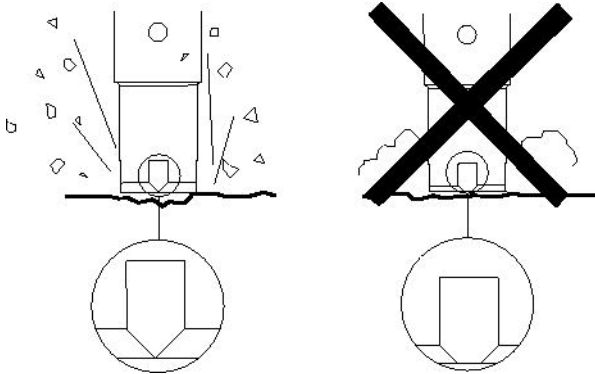
- ▶ Μην αγγίζετε ποτέ ένα καυτό ή αιχμηρό έμβολο.
- ▶ Περιμένετε να ψυχθεί το έμβολο πριν από οποιαδήποτε εργασία συντήρησης.

ΕΙΔΟΠΟΙΗΣΗ Μην ψύχετε ποτέ ένα καυτό έμβολο μέσα σε νερό, ενδέχεται να επέλθει ευθραυστότητα και πρόωρη αστοχία.

▲ ΠΡΟΕΙΔΟΠΟΙΗΣΗ Κίνδυνος λόγω κραδασμών

Εάν χρησιμοποιείτε φθαρμένο έμβολο, απαιτείται μεγαλύτερος χρόνος ολοκλήρωσης της εργασίας, και ενδέχεται να καταλήξει σε υψηλότερα επίπεδα έκθεσης σε κραδασμούς.

- ▶ Φροντίστε το έμβολο να είναι καλοσυντηρημένο και όχι φθαρμένο.
- ▶ Να χρησιμοποιείτε πάντα αιχμηρό έμβολο, ώστε να μπορείτε να εργάζεστε αποτελεσματικά.



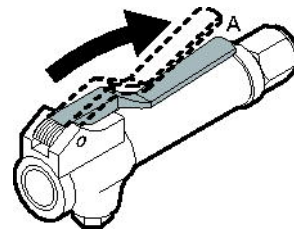
Λειτουργία

▲ ΠΡΟΕΙΔΟΠΟΙΗΣΗ Ακούσια εκκίνηση

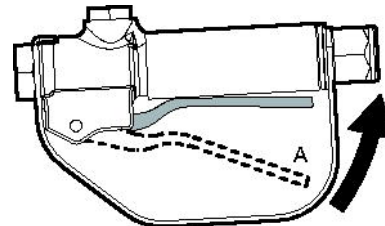
Η ακούσια εκκίνηση του μηχανήματος ενδέχεται να προκαλέσει τραυματισμό.

- ▶ Να κρατάτε τα χέρια σας μακριά από τη διάταξη εκκίνησης/διακοπής της λειτουργίας, έως ότου είστε έτοιμοι να θέσετε το μηχάνημα σε λειτουργία.
- ▶ Μάθετε πώς τίθεται το μηχάνημα εκτός λειτουργίας σε περίπτωση έκτακτης ανάγκης.
- ▶ Διακόψτε αμέσως τη λειτουργία του μηχανήματος, σε όλες τις περιπτώσεις διακοπής της παροχής ρεύματος.

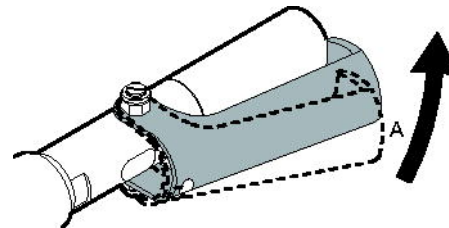
Εκκίνηση και διακοπή λειτουργίας



CP 0006

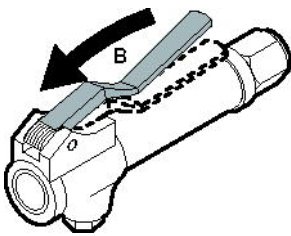


CP 0006 SVR

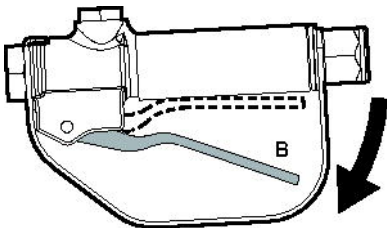


CP 0066

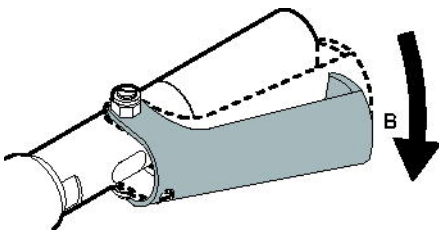
- ◆ Ξεκινήστε το μηχάνημα πατώντας τη σκανδάλη (A) ενώ κρατάτε σταθερά τη χειρολαβή.



CP 0006



CP 0006 SVR



CP 0066

- ♦ Διακόψτε τη λειτουργία του μηχανήματος ελευθερώνοντας τη σκανδάλη (B). Η σκανδάλη επανέρχεται αυτόματα στη θέση διακοπής λειτουργίας.

Χειρισμός

Έναρξη κοπής

- ♦ Σταθείτε σε σταθερή θέση, κρατώντας τη συσκευή προετοιμασίας επιφανείας σκυροδέματος με τα δύο χέρια.
- ♦ Πιέστε ελαφρά τη συσκευή προετοιμασίας επιφανείας σκυροδέματος πάνω στην επιφάνεια εργασίας πριν ξεκινήσετε.

Εργασία

- ♦ Αφήστε το μηχάνημα να κάνει τη δουλειά. Μην πιέζετε με υπερβολική δύναμη.
- ♦ Οποιαδήποτε μορφή άεργης λειτουργίας ή λειτουργίας με ανυψωμένο μηχάνημα πρέπει να αποφεύγεται.
- ♦ Όταν το μηχάνημα είναι ανυψωμένο, απαγορεύεται η ενεργοποίηση της διάταξης εκκίνησης/διακοπής της λειτουργίας.
- ♦ Βεβαιωθείτε ότι ο πεπιεσμένος αέρας είναι καθαρός, ξηρός και χωρίς ίχνη λίπανσης.

Όταν κάνετε διάλειμμα

- ♦ Στη διάρκεια των διαλειμάτων πρέπει να τοποθετήσετε το μηχάνημα με τέτοιο τρόπο ώστε να μην υπάρχει κίνδυνος ακούσιας εκκίνησης. Βεβαιωθείτε ότι το μηχάνημα στηρίζεται στο έδαφος, ώστε να μην υπάρχει κίνδυνος πτώσης.
- ♦ Σε περίπτωση διαλείμματος μεγάλης διάρκειας ή όταν φεύγετε από το χώρο εργασίας: Διακόψτε την παροχή ρεύματος και στη συνέχεια εξαρώστε το μηχάνημα ενεργοποιώντας τη διάταξη εκκίνησης/διακοπής της λειτουργίας.

Συντήρηση

Η τακτική συντήρηση είναι βασική προϋπόθεση για τη συνεχή, ασφαλή και αποτελεσματική χρήση του μηχανήματος. Τηρήστε τις οδηγίες συντήρησης με προσοχή.

- ♦ Πριν αρχίσετε με τη συντήρηση του μηχανήματος, καθαρίστε το ώστε να αποφύγετε την έκθεση σε επικίνδυνες χημικές ουσίες. Βλ. ενότητα «Κίνδυνος λόγω σκόνης και αναθυμιάσεων»
- ♦ Να χρησιμοποιείτε μόνον εγκεκριμένα εξαρτήματα. Τυχόν ζημία ή δυσλειτουργία οφειλόμενη στη χρήση μη εγκεκριμένων εξαρτημάτων δεν καλύπτεται από την εγγύηση ή την ευθύνη για το προϊόν.
- ♦ Όταν καθαρίζετε μηχανικά εξαρτήματα με διαλυτικό, να συμμορφώνεστε με τους ισχύοντες κανονισμούς υγείας και ασφάλειας και να φροντίζετε ώστε ότι ο αερισμός να είναι επαρκής.
- ♦ Για εκτεταμένες εργασίες σέρβις του μηχανήματος, απευθυνθείτε στο πλησιέστερο εξουσιοδοτημένο συνεργείο.

- ♦ Μετά από κάθε εργασία σέρβις, να ελέγχετε εάν το επίπεδο κραδασμών του μηχανήματος είναι φυσιολογικό. Εάν όχι, απευθυνθείτε στο πλησιέστερο εξουσιοδοτημένο συνεργείο.

Κάθε ημέρα

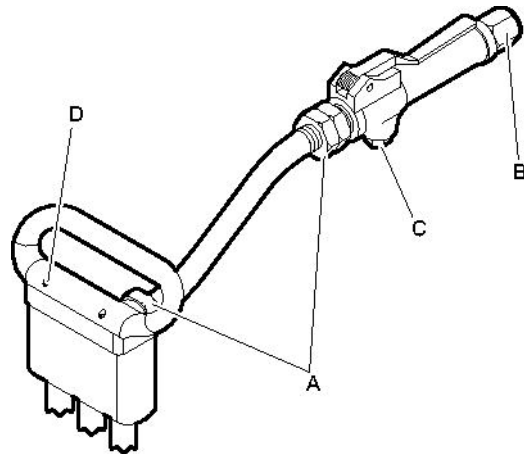
Πριν από την εκτέλεση εργασιών συντήρησης ή αλλαγής του εμβόλου στη συσκευή προετοιμασίας επιφανείας σκυροδέματος, να διακόπτετε πάντα την παροχή πεπιεσμένου αέρα, να εξαερώνετε το μηχάνημα πιέζοντας τη διάταξη εκκίνησης/διακοπής της λειτουργίας και να αποσυνδέετε τον εύκαμπτο σωλήνα αέρα από το μηχάνημα.

- ♦ Να καθαρίζετε και να επιθεωρείτε το μηχάνημα και τις λειτουργίες του, κάθε ημέρα πριν από την έναρξη της εργασίας.
- ♦ Να διενεργείτε γενική επιθεώρηση για διαρροές και ζημίες.
- ♦ Να βεβαιώνετε ότι το ρακόρ εισαγωγής αέρα είναι σφιγμένο και ότι η σύνδεση με σιαγόνες δεν έχει υποστεί ζημία.
- ♦ Εάν το μηχάνημα διαθέτει λαβή απόσβεσης κραδασμών, να ελέγχετε εάν κινείται ελεύθερα (πάνω-κάτω) και δεν μπλοκάρει.
- ♦ Να ελέγχετε εάν ο στροφέας κινείται ελεύθερα και δεν μπλοκάρει.
- ♦ Να ελέγχετε την κατάσταση του ελαστικού εδράνου.
- ♦ Να αντικαθιστάτε αμέσως τα εξαρτήματα που έχουν υποστεί ζημία.
- ♦ Να αντικαθιστάτε εγκαίρως τα εξαρτήματα που έχουν υποστεί φθορά.
- ♦ Φροντίστε ο συνδεδεμένος και ο σχετικός εξοπλισμός, όπως εύκαμπτοι σωλήνες και διαχωριστές νερού, να συντηρούνται σωστά.

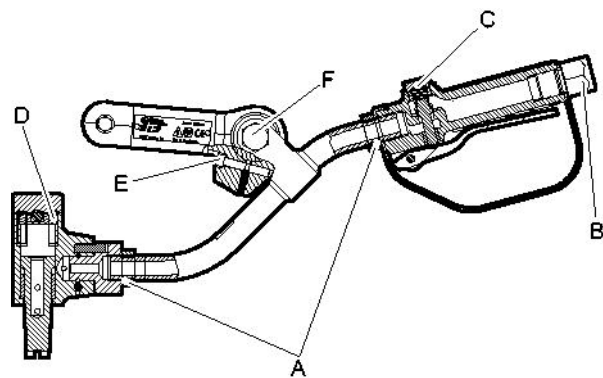
Περιοδική συντήρηση

Μετά από κάθε περίοδο 100 ωρών εργασίας ή 3 φορές το χρόνο, το μηχάνημα πρέπει να αποσυναρμολογείται και όλα τα εξαρτήματα να καθαρίζονται και να ελέγχονται. Η εργασία αυτή πρέπει να εκτελείται από εξουσιοδοτημένο προσωπικό, εκπαιδευμένο σε εργασίες αυτού του είδους.

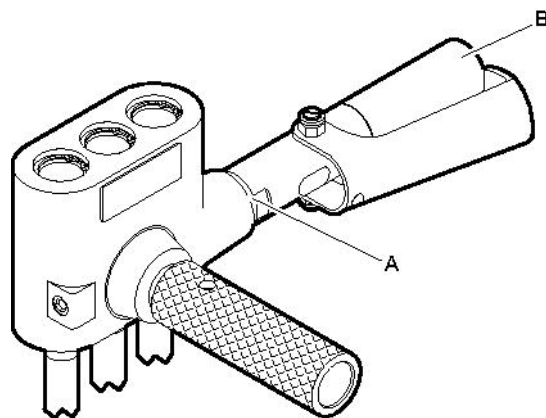
Οδηγίες συναρμολόγησης



CP 0006



CP 0006 SVR



CP 0066

- A. Ροπή: 35-40 lbf.ft (47-54 Nm), χρησιμοποιήστε Loctite® 542™. (το Loctite είναι σήμα κατατεθέν της Henkel Corporation. Το 542 είναι εμπορικό σήμα της Henkel Corporation).
- B. Ροπή: 50-60 lbf.ft (68-81 Nm), χρησιμοποιήστε Loctite® 542™.
- C. Ροπή: 60-70 lbf.ft (81-95 Nm), χρησιμοποιήστε Loctite® 542™.
- D. Ροπή: 15-16 lbf.ft (20-22 Nm), χρησιμοποιήστε Loctite® 242™. (το Loctite είναι σήμα κατατεθέν της Henkel Corporation. Το 242 είναι εμπορικό σήμα της Henkel Corporation).
- E. Ροπή: 13 lbf.ft (17 Nm).
- F. Ροπή: 44-52 lbf.ft (60-70 Nm).

Απόρριψη

Ένα μεταχειρισμένο μηχάνημα πρέπει να απορρίπτεται με τέτοιο τρόπο και βάσει των τοπικών περιορισμών, ώστε η ανακύκλωση του μεγαλύτερου μέρους των υλικών να είναι εφικτή και οι τυχόν αρνητικές επιπτώσεις στο περιβάλλον να ελαχιστοποιούνται.

Αντιμετώπιση προβλημάτων

Εάν η συσκευή προετοιμασίας επιφανείας σκυροδέματος δεν ξεκινά, έχει χαμηλή παραγωγή ισχύος ή απόδοση με διακυμάνσεις, ελέγξτε τα ακόλουθα σημεία.

- ♦ Βεβαιωθείτε ότι το έμβολο και ο κύλινδρος είναι καθαρά και στεγνά.
- ♦ Βεβαιωθείτε ότι το σύστημα πεπιεσμένου αέρα παρέχει στο μηχάνημα επαρκή πίεση αέρα για πλήρη ισχύ.
- ♦ Βεβαιωθείτε ότι οι διαστάσεις και το μήκος του εύκαμπτου σωλήνα αέρα συμφωνούν με τις συνιστώμενες τιμές. Βλ. ενότητα “Εγκατάσταση”.
- ♦ Εάν υπάρχει κίνδυνος σχηματισμού πάγου, βεβαιωθείτε ότι οι οπές εξαγωγής του μηχανήματος δεν παρουσιάζουν έμφραξη.

Εάν το μηχάνημα εξακολουθεί να μη λειτουργεί ικανοποιητικά μετά από αυτήν τη διαδικασία, απευθυνθείτε σε ένα εξουσιοδοτημένο συνεργείο σέρβις.

Φύλαξη

- > Καθαρίστε το μηχάνημα κατάλληλα πριν από τη φύλαξη, ώστε να αποτραπεί η συσσώρευση επικίνδυνων ουσιών. Βλ. ενότητα “Κίνδυνος λόγω σκόνης και αναθυμιάσεων”.
- > Να αποθηκεύετε πάντα το μηχάνημα σε στεγνό χώρο.

Τεχνικά δεδομένα

Δεδομένα μηχανήματος

Τύπος	Βάρος lb (kg)	Μήκος in. (mm)	Κρουστική συχνότητα Hz	Κατανάλωση αέρα foot ³ /min (l/s)
CP 0006	10 (4,5)	16 ½ (411)	50	27 ½ (13)
CP 0006 SVR	15 (6,8)	20 (510)	51	27 ½ (13)
CP 0066	10 (4,5)	11 (280)	50	27 ½ (13)

Δήλωση εκπομπών θορύβου και κραδασμών

Εγγυημένη στάθμη ηχητικής ισχύος **L_w** κατά ISO 3744 σύμφωνα με την οδηγία 2000/14/EK.

Στάθμη ηχητικής πίεσης **L_p** σύμφωνα με το ISO 11203.

Τιμή κραδασμών **A** και αβεβαιότητα **B** προσδιοριζόμενη σύμφωνα με ISO 20643. Βλ. πίνακα «Δεδομένα θορύβου και κραδασμών» για τις τιμές A, B, κ.λ.π.

Αυτές οι δηλωμένες τιμές, έχουν προκύψει από δοκιμές εργαστηριακού τύπου σύμφωνα με την αναφερόμενη οδηγία ή πρότυπα και είναι κατάλληλες για σύγκριση με τις δηλωμένες τιμές για άλλα εργαλεία τα οποία έχουν υποβληθεί σε δοκιμές σύμφωνα με την ίδια οδηγία ή πρότυπα. Αυτές οι δηλωμένες τιμές δεν είναι κατάλληλες για χρήση σε αξιολογήσεις κινδύνου και οι τιμές μέτρησης σε διαφορετικούς χώρους εργασίας ενδέχεται να είναι υψηλότερες. Οι πραγματικές τιμές έκθεσης και ο κίνδυνος βλάβης για μεμονωμένο χρήστη είναι μοναδικές και εξαρτώνται από τον τρόπο με τον οποίο εργάζεται ο χρήστης, από το υλικό στο οποίο χρησιμοποιείται το μηχάνημα, από το χρόνο έκθεσης και τη φυσική κατάσταση του χρήστη, όπως και την κατάσταση του μηχανήματος.

Εμείς, η Atlas Copco Construction Tools AB, δεν αναλαμβάνουμε την ευθύνη για τις συνέπειες της χρήσης των δηλωμένων τιμών αντί των τιμών που αντιστοιχούν στον πραγματικό χρόνο έκθεσης, σε μια κατάσταση μεμονωμένης αξιολόγησης κινδύνου σε χώρο εργασίας τον οποίο δεν ελέγχουμε.

Το εργαλείο αυτό ενδέχεται να προκαλέσει σύνδρομο κραδασμών καρπού-βραχίονα, εάν δεν χρησιμοποιείται με κατάλληλο τρόπο. Μπορείτε να ανατρέξετε σε οδηγό της ΕΕ σχετικά με την αντιμετώπιση των κραδασμών καρπού-βραχίονα στον ιστότοπο <http://www.humanvibration.com/EU/VIBGUIDE.htm>

Συνιστούμε ένα πρόγραμμα παρακολούθησης υγείας για την έγκαιρη αναγνώριση των αρχικών συμπτωμάτων τα οποία ενδέχεται να σχετίζονται με την έκθεση σε κραδασμούς, ώστε να είναι δυνατή η τροποποίηση των διαδικασιών διαχείρισης και να αποτρέπονται σοβαρές αναπηρίες στο μέλλον.

Δεδομένα θορύβου και κραδασμών

Τύπος	Θόρυβος		Δονήσεις	
	Δηλωμένες τιμές		Δηλωμένες τιμές	
	Ηχητική πίεση	Ισχύς θορύβου	Τιμές τριών αξόνων	
	ISO 11203	2000/14/EK	ISO 20643	
	L _p r=1m dB(A) rel 20μPa	L _w εγγυημένο dB(A) rel 1pW	A m/s ² τιμή	B m/s ² διάδοση
CP 0006	92	Δεν ισχύει	23,1	2,8
CP 0006 SVR	92	Δεν ισχύει	7,1	1,2
CP 0066	-	Δεν ισχύει	12,8	1,8

Δήλωση Συμμόρφωσης της ΕΚ

Δήλωση Συμμόρφωσης της ΕΚ (Οδηγία ΕΚ 2006/42/ΕΚ)

Εμείς, η Atlas Copco Construction Tools AB, δια του παρόντος δηλώνουμε ότι τα μηχανήματα τα οποία αναγράφονται κατωτέρω συμμορφώνονται με τις προβλέψεις των Οδηγιών της ΕΚ 2006/42/ΕΚ (Οδηγία περί Μηχανημάτων), όπως και τα εναρμονισμένα πρότυπα που αναγράφονται κατωτέρω.

Φορητές υδραυλικές συσκευές προετοιμασίας επιφανείας σκυροδέματος	Pmax (bar)
CP 0006	6.2
CP 0006 SVR	6.2
CP 0066	6.2

Εφαρμόστηκαν τα εξής εναρμονισμένα πρότυπα:

- ◆ ISO/FDIS 11148-4

Εξουσιοδοτημένος εκπρόσωπος τεχνικής τεκμηρίωσης:

Erik Sigfridsson

Atlas Copco Construction Tools AB

Dragonvägen 2

Kalmar

Γενικός Διευθυντής:

Erik Sigfridsson

Κατασκευαστής:

Atlas Copco Construction Tools AB

105 23 Stockholm

Sweden

Τόπος και ημερομηνία:

Kalmar, 2010-01-01

SUOMI

Sisällys

Johdanto	137
Tietoja turvallisuusohjeista ja käyttöohjeesta	137
Turvallisuusohjeet	138
Turvasignaali-tekstit.....	138
Henkilökohtaiset varotoimenpiteet ja valmiudet.....	138
Asennus, varotoimenpiteet.....	138
Käyttö, varotoimenpiteet.....	139
Huolto, varotoimenpiteet.....	142
Varastointi, varotoimenpiteet.....	142
Yleistä	143
Rakenne ja toiminta.....	143
Tärkeimmät osat.....	143
Tarrat.....	143
Asennus	144
Letkut ja liitännät.....	144
Vedenerottimen liittäminen.....	144
Mäntä.....	144
Käyttö	145
Käynnistys ja pysäytys.....	145
Työskentely.....	145
Poistuessasi tauolle.....	145
Huolto	146
Päivittäin.....	146
Määräaikaishuollot.....	146
Kokoamisohjeet.....	146
Vianmääritys	147
Säilytys	147
Käytöstä poisto	147
Tekniset tiedot	148
Koneen tiedot.....	148
Melu- ja värinärvoilmoitus.....	148
Melu- ja värinätiedot.....	148
CE-vaatimustenmukaisuusvakuutus	149
CE-vaatimustenmukaisuusvakuutus (EY-direktiivi 2006/42/EY).....	149

Johdanto

Kiitos kun valitsit Chicago Pneumatic -tuotteen! Chicago Pneumatic on jo yli 100 vuoden ajan ollut paineilmantyökaluteollisuuden innovatiivinen uranuurtaja.

Nykyisin Chicago Pneumatic toimii kaikkialla maailmassa tarjoten laajan valikoiman paineilma- ja hydraulikäyttöisiä työkaluja kuten iskuvasaroita, kallioporakoneita, piikkauskoneita, paineilmakankia, katkaisutyökaluja, betonihakkureita, pumppuja ja paljon muita.

Chicago Pneumaticin päämääränä on ollut aina tarjota asiakkailleen tehokkaita, luotettavia ja helposti huollettavia sekä edullisia tuotteita.

Lisätietoja on verkko-osoitteessa www.cp.com

Atlas Copco Construction Tools AB
105 23 Stockholm
Ruotsi

Tietoja turvallisuusohjeista ja käyttöohjeesta

Ohjeiden tarkoituksena on neuvoa käyttäjille paineilmatoimisen hakkurin tehokas ja turvallinen käyttötapa. Ohjeissa neuvotaan myös, miten tehdään paineilmatoimisen hakkurin säännönmukaiset kunnossapitotoimenpiteet.

Ennen paineilmatoimisen hakkurin käyttöönottoa sinun on perehdyttävä näihin ohjeisiin perusteellisesti.

Turvallisuusohjeet

Ennen kuin alat asentaa, käyttää, korjata tai huoltaa konetta tai vaihtaa sen lisävarusteita, perehdy turvallisuusohjeisiin ja käyttöohjeeseen.

Turvallisuusohjeita noudattamalla vältytään vakavilta vammautumisilta ja hengenvaaralta.

Toimita nämä turvallisuusohjeet ja käyttöohje työkohteisiin ja anna työntekijöille kopiot. Varmista, että kaikki konetta käsittelevät perehtyvät turvallisuusohjeisiin ja käyttöohjeeseen ennen koneen käyttöä tai huoltotöitä.

Lisäksi koneen käyttäjän tai hänen työnantajansa tulee arvioida koneen käytöstä johtuvat erityiset työturvallisuusriskit.

Turvasignaali-tekstit

Turvasignaali-tekstit Vaara, Varoitus ja Huomio tarkoittavat seuraavaa:

VAARA	Välitön vaaratilanne, jonka laiminlyönti johtaa hengenvaaraan tai vakavaan vammautumiseen.
VAROITUS	Välitön vaaratilanne, jonka laiminlyönti voi johtaa hengenvaaraan tai vakavaan vammautumiseen.
HUOMIO	Mahdollinen vaaratilanne, jonka laiminlyönti voi johtaa vähäiseen tai lievään vammaan.

Henkilökohtaiset varoimenpiteet ja valmiudet

Vain ammattitaitoiset ja koulutetut henkilöt saavat käyttää tai huoltaa konetta. Heidän täytyy olla riittävän voimakkaita käsittelemään painavaa työkalua. Luota aina terveeseen järkeen ja älä tee mitään harkitsematonta.

Henkilökohtainen suojavarustus

Käytä aina hyväksytyjä suojavarusteita. Koneen käyttäjän ja muiden työalueella olevien henkilöiden on käytettävä henkilösuojaimia, vähintään:

- > suojakypärää
- > kuulonsuojaimia
- > sivusuojilla varustettuja iskunkestäviä suojalaseja
- > hengityssuojaimia tilanteen sitä edellyttäessä

- > suojakäsineitä
- > asianmukaisia turvasaappaita
- > asianmukaisia työhaalareita tai vastaanvanlaisia vaatteita (ei löysiä), jotka peittävät käsivarret ja sääret.

Huumeet ja alkoholin tai lääkkeiden käyttö

▲ VAROITUS Huumeet ja alkoholin tai lääkkeiden käyttö

Huumeet, alkoholi tai lääkkeet voivat heikentää arvostelukykysi ja keskittymistäsi. Reagointikyvyn heikkeneminen ja väärät tilannearviot voivat johtaa vakavaan vammautumiseen tai hengenvaaraan.

- ▶ Älä käytä konetta, jos olet väsynyt tai huumeiden, alkoholin tahi lääkkeiden vaikutuksen alaisena.
- ▶ Huumeiden, alkoholin tai lääkkeiden vaikutuksen alaisena oleva henkilö ei saa käyttää konetta.

Asennus, varoimenpiteet

▲ VAARA Ympäristöä piiskaava paineilmaletku

Irti päässyt paineilmaletku voi iskeytyä hallitsemattomasti ja aiheuttaa henkilövahingon tai hengenvaarallisia tilanteita. Vaaratilanteiden estämiseksi:

- ▶ Tarkista, että paineilmaletku ja sen liittimet ovat ehjät. Tarvittaessa vaihda osat uusiin.
- ▶ Tarkista, että paineilmaletkun kaikki liittimet ovat oikein paikallaan.
- ▶ Älä koskaan kannaa paineilmakäyttöistä konetta sen ilmaletkun varassa.
- ▶ Älä koskaan yritä irrottaa paineistettuna olevaa ilmaletkua liitännästä. Katkaise ensin paineilman tulo kompressorista ja tyhjennä sitten kone paineilmasta painamalla liipaisinta.
- ▶ Älä koskaan osoita paineistetulla ilmaletkulla itseäsi tai ketään muuta. Loukkaantumisvaaran välttämiseksi älä koskaan yritä puhdistaa pölyä tai likaa vaatteistasi paineilmalla.
- ▶ Älä käytä työkalun kiinnitykseen pikaliittimiä. Käytä karkaistusta teräksestä (tai vastaavan iskunkestävyyden materiaalista) valmistettuja, paikalleen kierrettäviä letkunliittimiä.

- Käytettäessä yleismallisia, kierrettäviä liittimiä (kynsilittimiä) suosittelemme lukkotappien asentamista ja turvavaijereita, joilla estetään letkujen hallitsematonta piiskaamista, mikäli letkun ja työkalun liitântä tai letkuliitin rikkoutuu.

Käyttö, varotoimenpiteet

▲ VAARA Räjähdyksivaara

Jos mäntä joutuu kosketuksiin räjähtävien aineiden tai kaasujen kanssa, seurauksena voi olla räjähdys. Tietyntyypisten materiaalien työstö ja tietyt koneen osissa käytettävät materiaalit voivat johtaa kipinäintiin ja materiaalien syttymiseen. Räjähdykset johtavat vakavaan vammautumiseen tai hengenvaaraan.

- Älä koskaan käytä konetta räjähdysriskissä ympäristössä.
- Älä koskaan käytä konetta herkästi syttyvien materiaalien, höyryjen tai pölyn läheisyydessä.
- Varmista, että lähellä ei ole mitään piileviä kaasunpurkaus- tai räjähdyslähteitä.

▲ VAROITUS Odottamattomat liikkeet

Mäntään kohdistuu koneen käytön aikana ankaraa rasitusta. Tietyn käyttöajan jälkeen mäntä voi rikkoutua materiaalin väsymisen johdosta. Jos mäntä rikkoutuu tai juuttuu, kone saattaa liikkua äkillisesti tai odottamattomaan suuntaan. Lisäksi tasapainon menetys tai liukastuminen voi johtaa henkilövahinkoon.

- Varmista, että sinulla on aina tukeva jalansija ja pyri säilyttämään mahdollisimman vakaa tasapaino.
- Tutki laitteisto joka kerta ennen sen käyttöä. Älä koskaan käytä laitteistoa, jos epäilet sen olevan vaurioitunut.
- Varmista, että kahvat ovat puhtaat. Pyyhi pois mahdollinen rasva tai öljy.
- Pidä kädet jalat etäällä männästä.
- Pidä aina molemmin käsin koneesta kiinni.
- Älä koskaan lyö tai kolhi mitään laitteiston osaa tahallasi.
- Tarkasta männän kuluneisuus säännöllisesti. Tarkasta myös, onko siinä näkyviä murtumia tai muita vaurioita.
- Keskity työhön, jota teet.

▲ VAROITUS Pölystä ja savukaasuista aiheutuvat vaaratilanteet

Koneen käytöstä syntyvä pöly ja savukaasut voivat aiheuttaa vakavia ja pysyviä hengitysteiden sairauksia, ammattitauteja tai muita henkilövammoja (esimerkiksi keuhkofibroosin tai muun peruuttamattoman hengenvaarallisen keuhkosairauden, syöpää, vaurioita syntyville lapsille ja/tai ihotulehduksia).

Poraamisen, iskuvasaroinnin, sahauksen, hionnan ja muiden rakennustöiden aikana syntyvät tietyt pölyt, huurut tai muut hengitysilmaan kulkeutuvat ainesosat saattavat sisältää kemikaaleja, jotka Kalifornian osavaltion tietojen mukaan aiheuttavat hengitysteiden sairauksia, syöpää sekä syntyville lapsille vaurioita tai muita ongelmia. Esimerkkejä tällaisista aineista ovat:

- > Kiteinen kvartsi, sementti ja muut muuraustuotteet.
- > Kemiallisesti käsitellystä kumista erittyvä arseeni ja kromi.
- > Lyijypohjaisista maaleista erittyvä lyijy.

Ilmassa kulkeutuva pöly ja savukaasut voivat olla paljaalle silmälle näkymättömiä, joten silminnähdessä ei voida aina päätellä, onko ilmassa pölyä ja savukaasuja.

Estä altistumista pölylle ja savukaasuille seuraavilla toimenpiteillä:

- Tee työmaakohtainen riskianalyysi. Riskianalyysissä tulee ottaa huomioon koneen käytöstä johtuvat pöly ja savukaasut ja lisäksi kohteessa jo olevan pölyn leviäminen työn vaikutuksesta.
- Työkohteessa on käytettävä asianmukaisia ilmanvaihtolaitteistoja, joilla vähennetään pölyn ja savukaasujen määrää ilmassa sekä pölyn kerääntymistä laitteiden, pintojen vaatteiden ja kehon osien päälle. Esimerkkejä puhdistuslaitteistoista ovat: alipaineiset ilmanvaihto- ja pölynkeruujärjestelmät, veden suihkuttaminen ja märkäpora. Estä pölyämistä ja savukaasujen syntymistä jo niiden lähteessä, mikäli mahdollista. Varmista, että puhdistuslaitteistot asennetaan ja huolletaan asianmukaisesti ja että niitä käytetään oikein.
- Käytä työsuojelu- ja turvamääräysten mukaisia hengityssuojaimia työnantajan ohjeistamalla tavalla. Hengityssuojainten on sovellettava käsiteltävien materiaalien aiheuttamien haittojen ehkäisyyn (ja tietyissä tapauksissa niille tulee olla vastaavan hallintoviranomaisen hyväksyntä).
- Varmista työalueen ilmanvaihdon riittävyys.

- ▶ Jos kone tuottaa pakokaasuja, suuntaa ne pois siten, että ne eivät aiheuta pölyämishaittojen lisääntymistä työympäristössä.
- ▶ Käytä ja huolla konetta tässä käyttöohjeessa ja turvallisuusohjeissa kuvatulla tavalla.
- ▶ Käytä oikean tyyppisiä työkaluja ja kulutusosia ja huolla niitä tässä käyttöohjeessa kuvatulla tavalla. Väärän tyyppisten työkalujen ja kulutusosien käyttö tai niiden virheellisesti tehdyt huollot ja väärä käyttötapa voivat johtaa pölyn ja savukaasujen tarpeettomaan lisääntymiseen.
- ▶ Käytä pestäviä tai kertakäyttöisiä suojavaatteita ollessasi työmaalla. Käy suihkussa ja vaihda puhtaat vaatteet ennen kuin lähdet työpaikalta, jotta sinä, muut ihmiset, autot, asunnot ja muut paikat eivät pääse altistumaan pölylle ja savukaasuille.
- ▶ Vältä syömistä, juomista tai tupakointia alueilla, joissa ilmassa on pölyä ja savukaasuja.
- ▶ Pese kätesi ja kasvosuosi huolellisesti heti altistumista aiheuttavalta työskentelyalueelta poistumisen jälkeen ja aina ennen kuin syöt, juot tai tupakoit tai olet yhteydessä muihin henkilöihin.
- ▶ Noudata kaikkia voimassa olevia lakeja ja määräyksiä, myös työpaikkakohtaisia työsuojelua ja turvamääräyksiä.
- ▶ Osallistu työnantajan tai ammattijärjestöjen järjestämiin ja työsuojelulainsäädännön edellyttämiin ja suositeltuihin terveystarkastuksiin sekä ilmanseuranta- ja koulutusohjelmiin. Kysy tarvittaessa lisäohjeita työterveyslääkäriltä.
- ▶ Toimi yhteistyössä työnantajasi ja ammattijärjestön kanssa, jotta pölylle ja savukaasuille altistuminen voidaan välttää työmaalla parhaalla mahdollisella tavalla. Työmaalle on laadittava työterveys- ja työsuojelualan asiantuntijoiden ohjeiden perusteella asianmukaiset työterveys- ja työturvallisuusohjelmat sekä menettelytapaohjeet, joilla voidaan suojata työntekijät ja muut alueella oleskelevat altistumiselta pölylle ja savukaasuille. Lisätietoja saat alan asiantuntijoilta.

▲ VAROITUS Sinkoutuvat esineet

Työstökappaleen, lisävarusteiden tai koneen vaurioitumisen johdosta ympäristöön voi levitä kovalla nopeudella sinkoutuvia esineitä. Töiden yhteydessä irtoavat kivensirut ja muut materiaalit voivat sinkoutua ympäristöön ja aiheuttaa osuessaan henkilövammoja käyttäjälle tai muille henkilöille. Vaaratilanteiden estämiseksi:

- ▶ Käytä työssä aina hyväksytyjä henkilösuojaimia ja suojakypärää, mukaan lukien sivusuojilla varustettuja, iskunkestäviä suojalaseja.
- ▶ Varmista, että sivulliset eivät pääse työalueelle.
- ▶ Pidä työskentelyalue vapaana vieraista esineistä.
- ▶ Varmista, että työstökappale on turvallisesti kiinnitetty paikalleen.

▲ VAROITUS Liukastumis-, kompastumis- ja kaatumisvaarat

Työmaalla on esimerkiksi koneen letkujen tai muiden esteiden johdosta liukastumis-, kompastumis- ja kaatumisvaara. Liukastuminen, kompastuminen tai kaatuminen voi aiheuttaa henkilövahinkoja. Vaaratilanteiden estämiseksi:

- ▶ Varmista, että omalla tai muiden henkilöiden reiteillä ei ole letkuja tai muita esteitä.
- ▶ Varmista, että sinulla on aina tukeva jalansija ja pyri säilyttämään mahdollisimman hyvä ja vakaa tasapaino.

▲ VAROITUS Äkillisten liikkeiden aiheuttamat vaaratilanteet

Käyttäessäsi konetta työssä saatat tuntea epämukavaa tunnetta kämmenissä, käsivarsissa, olkapäissä, niskassa tai kehon muissa osissa.

- ▶ Ota aina mukavalta tuntuva, tukeva ja vakaa työasento.
- ▶ Jos työ kestää pitkään, vaihda ajoittain asentoa välttääksesi epämukavan tunteen ja väsymisen.
- ▶ Jos koet jatkuvia tai toistuvia rasituksesta johtuvia oireita, käänny työterveyslääkärin puoleen.

▲ VAROITUS Tärinävaarat

Koneen normaali ja oikea käyttötapa altistaa käyttäjän tärinöille. Säännöllinen ja toistuva altistuminen tärinöille voi aiheuttaa, myötävaikuttaa tai pahentaa vammoja tai terveydentilaan liittyviä ongelmia, joita käyttäjän sormille, käsille, ranteille, käsivarsille, olkapäille ja/tai hermosto- ja verenkiertojärjestelmälle tai muille kehon osille aiheutuu. Tällaisia ovat myös lihasten ja raajojen yleinen rappeutuminen ja/tai pysyvät vammat tai terveydentilaan liittyvät ongelmat, jotka saattavat kehittyä vähitellen viikkojen, kuukausien tai vuosien kuluessa. Näihin vammoihin tai terveydellisiin ongelmiin voi sisältyä verenkiertojärjestelmän vaurioituminen, hermojärjestelmän vaurioituminen, nivelten vaurioituminen ja mahdolliset vauriot muille kehon osille ja rakenteille.

Jos havaitset toistuvaa epämukavuuden tunnetta, puutumista, kuumotusta, kihelmöintiä, kipua, kankeutta, otteen heikentymistä, ihon vaalenemista tai tuntoherkkyyden alenemista käyttäessäsi konetta ja myös silloin, kun et käytä konetta, älä jatka työntekoa ja käänny lääkärin puoleen. Koneen käytön jatkaminen mainittujen oireiden ilmenemisen jälkeen voi johtaa oireiden kehittymiseen vakaviksi ja/tai pysyviksi.

Käyttämällä ja huoltamalla konetta tässä käyttöohjeessa kuvatulla tavalla voidaan estää tarpeettomasti kohoavat tärinätasot.

Koneen käyttäjän altistumista tärinöille voi lieventää seuraavilla toimenpiteillä:

- ▶ Anna koneen tehdä työ. Pidä kahvasta kiinni mahdollisimman höllästi varmistaen kuitenkin, että säilytät koneen hallinnan ja että sen käyttö on koko ajan turvallista.
- ▶ Kun iskumekanismi aktivoituu, pidä kiinni koneen kahvasta tai kahvoista vain käsilläsi. Älä kosketa koneeseen muulla kehollasi. Älä esimerkiksi tue konetta kehollasi ja älä yritä lisätä syöttövoimaa nojaamalla kehollasi konetta vasten. Älä koskaan pidä käynnistys- ja pysäytyslaitteen käyttökytkintä suotta painettuna vetäessäsi konetta irti työstöpinnasta.
- ▶ Työn tekeminen kuluneella männällä kestää kauemmin ja voi altistaa tärinälle. Varmista, että mäntä huolletaan asianmukaisesti ja että se ei ole kulunut huonoon kuntoon. Pidä mäntä aina terävänä, jolloin se toimii tehokkaasti.
- ▶ Jos kone alkaa yhtäkkiä tärinästä voimakkaasti, lopeta sen käyttäminen välittömästi. Ennen työn jatkamista selvitä ja korjaa lisääntyneiden tärinöiden syy.

- ▶ Älä koskaan tartu männästä äläkä kosketa sitä käyttäessäsi konetta.
- ▶ Osallistu työnantajan järjestämiin ja lainsäädännön edellyttämiin terveystarkastuksiin ja koulutusohjelmiin.
- ▶ Työkennellessäsi kylmissä olosuhteissa pidä lämpimiä vaatteita ja pidä kädet lämpiminä ja kuivina.

Lue myös kohdan ”Melu- ja tärinäarvoilmoitus” tiedot ja niissä ilmoitetut tärinäarvot. Nämä tiedot löytyvät tämän turvallisuus- ja käyttöohjeen lopusta.

- ◆ Käytä konetta vain suositellulla paineilmasyötön voimakkuudella. Liian suuri tai normaalia pienempi paineilma voi johtaa tärinöiden lisääntymiseen.

▲ VAARA Sähkövirran aiheuttamat vaaratilanteet

Konetta ei ole eristetty sähköiskuja vastaan. Koneeseen kohdistuva sähkövirta saattaa johtaa vakavaan vammautumiseen tai hengenvaaraan.

- ▶ Älä koskaan käytä konetta sähköjohtojen tai muiden sähkölaitteiden lähellä.
- ▶ Varmista, että työskentelyalueella ei ole piileviä johtoja tai muita sähkölaitteita.

▲ VAROITUS Piilossa olevien esineiden aiheuttamat vaaratilanteet

Piilevät johdot tai putket aiheuttavat töiden yhteydessä vaaratilanteita, jotka voivat johtaa vakavaan vammautumiseen.

- ▶ Tarkista työstettävän materiaalin koostumus ennen töiden aloittamista.
- ▶ Pyri havaitsemaan mahdolliset piilevät johdot ja putket, esimerkiksi sähkö- ja puhelinjohdot, vesi-, viemäri- ja kaasuputket jne.
- ▶ Jos mäntä näyttää osuneen rakenteessa olevaan vaaralliseen kohteeseen, sammuta kone välittömästi.
- ▶ Varmista ennen työn jatkamista, että vaaraa ei ole.

▲ VAROITUS Tahaton käynnistäminen

Koneen tahaton käynnistäminen saattaa aiheuttaa henkilövahingon.

- ▶ Koske käynnistys- ja pysäytyslaitteen käyttökytkimeen vasta käynnistäessäsi konetta.
- ▶ Opettele koneen sammuttaminen hätätilanteessa.
- ▶ Vapauta käynnistys- ja pysäytyslaitteen käyttökytkin välittömästi, jos koneen voimanlähteen käyttö estyy.

- ▶ Ennen koneen huoltotöiden aloittamista katkaise paineilmansyöttö, tyhjennä kone paineilmastaa painamalla käynnistys- ja pysäytyslaitteen käyttökytkintä ja irrota kone tehonlähteestä.

▲ VAROITUS Meluvaarat

Korkeat melutasot voivat aiheuttaa pysyvien kuulovammojen ohella muita kuulo-ongelmia, esimerkiksi korvien tinnitusta (soimista, surinaa tai viheltävää tai humisevaa ääntä). Vaaratilanteiden ilmeneminen ja tarpeettomasti kohoavat melutasot voidaan estää:

- ▶ Suorittamalla näihin vaaratilanteisiin liittyvät riskianalysit ja toteuttamalla niiden edellyttämät työsuojelutoimenpiteet.
- ▶ Käyttämällä ja huoltamalla konetta tässä käyttöohjeessa kuvatulla tavalla.
- ▶ Valitsemalla työkalun ja käyttämällä ja huoltamalla sitä tässä käyttöohjeessa kuvatulla tavalla.
- ▶ Jos koneessa on äänenvaimennin, tarkistamalla sen paikallaan olo ja käyttökuntoisuus.
- ▶ Käyttämällä aina kuulosuojainta.
- ▶ Käyttämällä vaimennusmateriaaleja, jotka estävät työstökappaleiden tuottamat voimakkaat ja kuuluvat äänet.

Huolto, varotoimenpiteet

▲ VAROITUS Koneen muutostyöt

Jos koneeseen tehdään muutostöitä, seurauksena saattaa olla vakavia vammoja sekä itsellesi että muille.

- ▶ Älä koskaan tee koneeseen muutostöitä. Koneet, joihin on tehty muutostöitä, eivät kuulu takuun tai tuotevastuun piiriin.
- ▶ Käytä aina alkuperäisvaraosia, työkaluja ja lisävarusteita.
- ▶ Vaihda vaurioituneet osat viipymättä.
- ▶ Vaihda kuluneet koneenosat hyvissä ajoin.

▲ HUOMIO Kuuma mäntä

Männän kärki voi käytön aikana kuumentua ja tulla teräväksi. Sen koskettaminen voi aiheuttaa palovammoja ja haavoja.

- ▶ Älä koskaan kosketa kuumaa tai terävää mäntää.
- ▶ Ennen huoltotöiden aloittamista odota, kunnes mäntä on jäähtynyt.

Varastointi, varotoimenpiteet

- ◆ Säilytä kone ja työkalut turvallisessa ja lukitussa paikassa poissa lasten ulottuvilta.

Yleistä

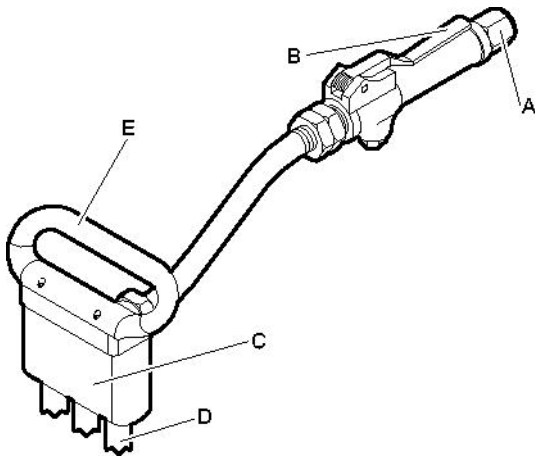
Ennen kuin alat käyttää konetta, perehdy oppaan edellisillä sivuilla olevaan, turvallisuusohjeita käsittelevään kohtaan. Turvallisuusohjeita noudattamalla vältetään vakavilta vammautumisilta ja hengenvaaralta.

Rakenne ja toiminta

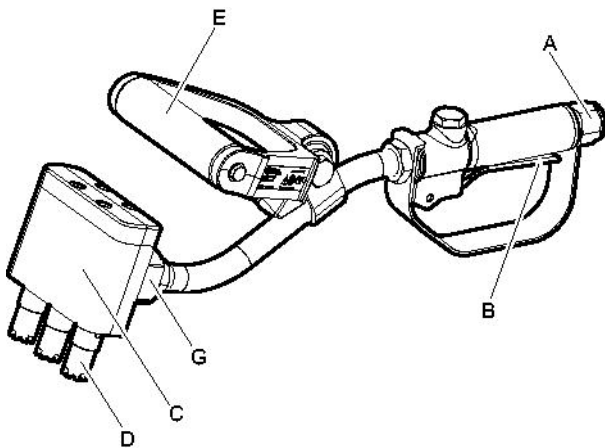
CP 0006, CP 0006 SVR ja CP 0066 soveltuvat betonin louhintaan, karhennukseen ja poistoon. Lisäksi niillä voi poistaa ruostetta teräspinoilta. Konetta voi käyttää sekä vaaka- että pystysuunnassa. Muunlainen käyttö ei ole sallittua.

Käytä oikean männän valinnassa varaosaluetteloa.

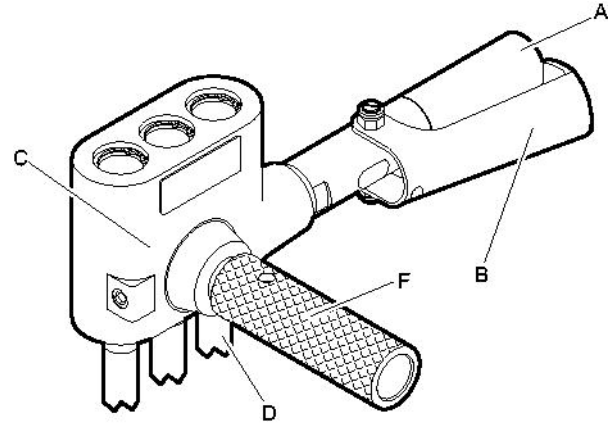
Tärkeimmät osat



CP 0006



CP 0006 SVR



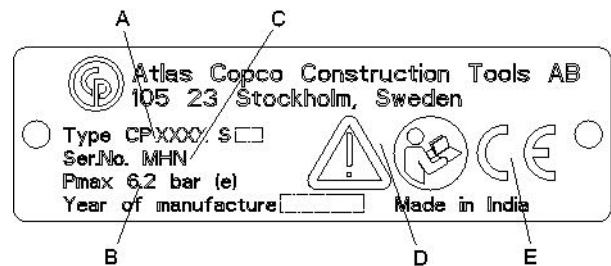
CP 0066

- A. Ilmanotto
- B. Käynnistys ja pysäytyslaite
- C. Sylinteri
- D. Mäntä
- E. Etukahva
- F. Sivukahva
- G. Nivel

Tarrat

Tässä koneessa on käyttöturvallisuuden kannalta tärkeät turva- ja huoltokilvet. Kilvet on pidettävä sellaisessa kunnossa, että ne on helppo lukea. Uusia kilpiä voi tilata varaosaluettelon avulla.

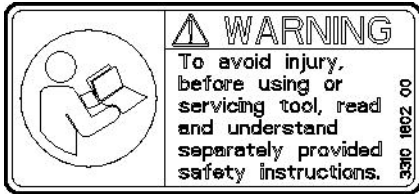
Tietolevy



- A. Konetyyppi
- B. Suurin sallittu paineilman paine
- C. Sarjanumero
- D. Varoitussymboli ja kirjasyntoli tarkoittavat, että käyttäjän on perehdyttävä turvallisuusohjeisiin ja käyttöohjeeseen ennen koneen ensimmäistä käyttökertaa.

- E. CE-merkki tarkoittaa, että kone on saanut EY-hyväksynnän. Lisätietoja on koneen mukana toimitettavassa EY-vaatimustenmukaisuusvakuutuksessa. Jos CE-merkki puuttuu, se tarkoittaa, että kone ei ole saanut EY-hyväksyntää.

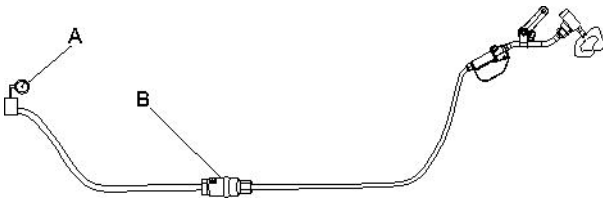
Turvamerkintä



Vammojen välttämiseksi perehdy erillisiin turvaohjeisiin ennen kuin alat käyttää tai huoltaa konetta.

Asennus

Letkut ja liitännät



- A. Paineilmalähde
B. Vedenerotin (lisävaruste)
- ◆ Tarkista, että käytössä on valmistajan suosittelema käyttöpaine, 87 psig (6 baaria (e)).
 - ◆ Koneen suurinta sallittua ilmanpainetta, 90 psig (6,2 bar (e)), ei saa ylittää.
 - ◆ Puhalla mahdolliset epäpuhtaudet paineilmaletkusta, ennen kuin liität sen koneeseen.
 - ◆ Valitse oikeanmittainen ja -pituisen paineilmaletku. Jos tarvittava letkun pituus on enintään 30 metriä (100 feet), on käytettävä letkua, jonka sisähalkaisija on vähintään 19 mm ($\frac{3}{4}$ ""). Jos letkun pituus on 30–100 metriä (100–330 feet), on käytettävä letkua, jonka sisähalkaisija on vähintään 25 mm (1").
 - ◆ Älä voitele mäntää. Se voi johtaa koneen tahattomiin pysähdyksiin.

- ◆ Koneen toimintaa voi helpottaa käyttämällä lähinnä konetta kumiletkua, jonka sisähalkaisija on 9,5 mm ($\frac{3}{8}$ "") ja pituus 3 m (10 feet).

Vedenerottimen liittäminen

Käytä kompressorin ja vedenerottimen välillä riittävän pitkää letkua, jotta vesihöyry ennättää jäähtyä ja tiivistyä letkussa ennen tuloaan vedenerottimeen.

Jos ympäristön lämpötila on alle 32 °F (0 °C), letkun on oltava riittävän lyhyt, jotta vesi ei ehdi jäätymään letkussa ennen tuloaan vedenerottimeen.

Mäntä

▲ HUOMIO Kuuma mäntä

Männän kärki voi käytön aikana kuumentua ja tulla teräväksi. Sen koskettaminen voi aiheuttaa palovammoja ja haavoja.

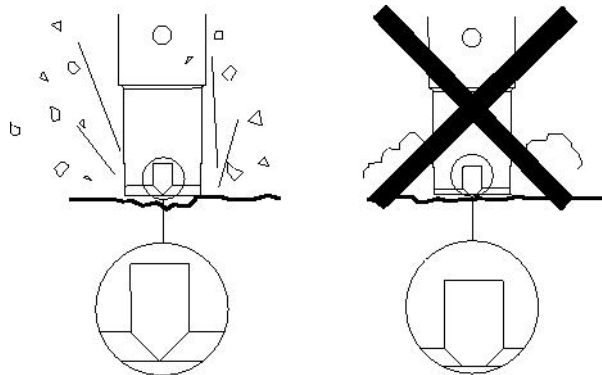
- ▶ Älä koskaan kosketa kuumaa tai terävää mäntää.
- ▶ Ennen huoltotöiden aloittamista odota, kunnes mäntä on jäähtynyt.

HUOMAUTUS Älä koskaan jäähdytä kuumaa mäntää vedessä, koska se voi haurastuttaa materiaalia ja johtaa normaalia nopeampaan kulumiseen.

▲ VAROITUS Tärinävaarat

Työn tekeminen kuluneella männällä kestää kauemmin ja voi altistaa tärinälle.

- ▶ Varmista, että mäntä huolletaan asianmukaisesti ja että se ei ole kulunut huonoon kuntoon.
- ▶ Pidä mäntä aina terävänä, jolloin se toimii tehokkaasti.



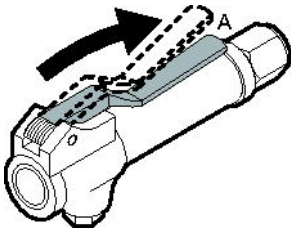
Käyttö

▲ VAROITUS Tahaton käynnistäminen

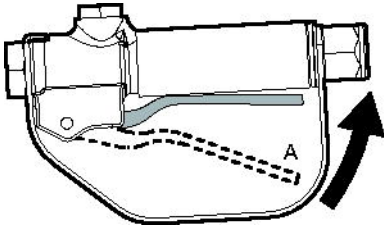
Koneen tahaton käynnistäminen saattaa aiheuttaa henkilövahingon.

- ▶ Koske liipaisimeen vasta käynnistäessäsi konetta.
- ▶ Opettele koneen sammuttaminen hätätilanteessa.
- ▶ Pysäytä kone välittömästi, jos koneen voimanlähteen käyttö estyy.

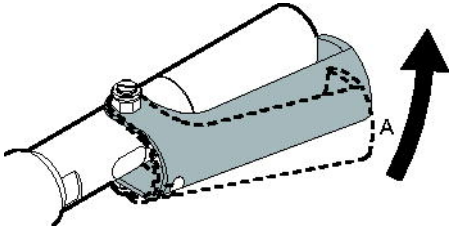
Käynnistys ja pysäytys



CP 0006

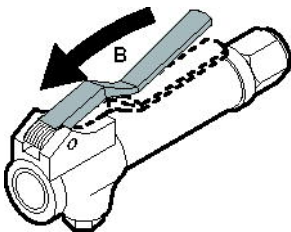


CP 0006 SVR

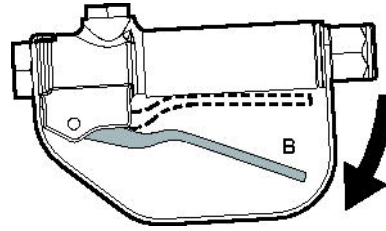


CP 0066

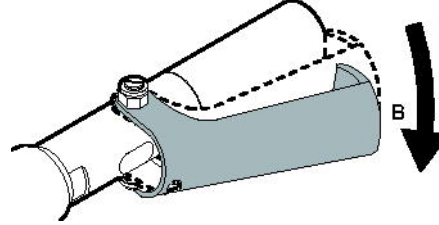
- ◆ Käynnistä kone pitämällä kahvasta tukevalla otteella ja puristamalla liipaisinta (A).



CP 0006



CP 0006 SVR



CP 0066

- ◆ Pysäytä kone vapauttamalla liipaisin (B). Liipaisin palaa automaattisesti pysäytysasentoon.

Työskentely

Työn aloittaminen

- ◆ Seiso vakaassa asennossa pitäen hakkurista kiinni molemmilla käsillä.
- ◆ Ennen kuin aloitat, paina hakkuria työstettävää pintaa vasten kevyesti.

Työskentely

- ◆ Anna koneen tehdä työt, älä paina liikaa.
- ◆ Tarpeetonta joutokäyntiä tai koneen käyttöä ylösnostettuna on vältettävä.
- ◆ Kun konetta nostetaan, liipaisinta ei saa painaa.
- ◆ Varmista, että paineilma on puhdasta ja kuivaa eikä sisällä voiteluainetta.

Poistuessasi tauolle

- ◆ Taukojen ajaksi kone on asetettava syrjään siten, että sitä ei voida käynnistää tahattomasti. Varmista, että kone on tasaisella alustalla, jotta se ei pääse kaatumaan.
- ◆ Poistuessasi pidemmälle tauolle tai lähtiessäsi työpaikalta: katkaise ensin tehonsyöttö ja tyhjennä sitten kone painamalla liipaisinta.

Huolto

Säännöllinen kunnossapito on koneen turvallisen ja tehokkaan käytön perusedellytys. Noudata huolto-ohjeita tarkkaan.

- ◆ Ennen koneen huoltotöiden aloittamista puhdista se, jotta et altistu vaarallisille aineille. Katso kohta ”Pölystä ja savukaasuista aiheutuvat vaaratilanteet”
- ◆ Käytä ainoastaan hyväksytyjä varaosia. Muiden osien käytön aiheuttamat vahingot tai viat eivät kuulu takuun tai tuotevastuun piiriin.
- ◆ Puhdistaessasi mekaanisia osia liuottimella varmista, että työ tehdään voimassa olevien työsuojelemääräysten mukaisesti, ja huolehdi riittävästä tuuletuksesta.
- ◆ Jos koneelle on tehtävä suuria huoltotöitä, ota yhteyttä lähimpään valtuutettuun huoltokorjaamoon.
- ◆ Tarkista kunkin huollon jälkeen, että koneen tärinätaaso on normaali. Ellei näin ole, ota yhteyttä lähimpään valtuutettuun huoltokorjaamoon.

Päivittäin

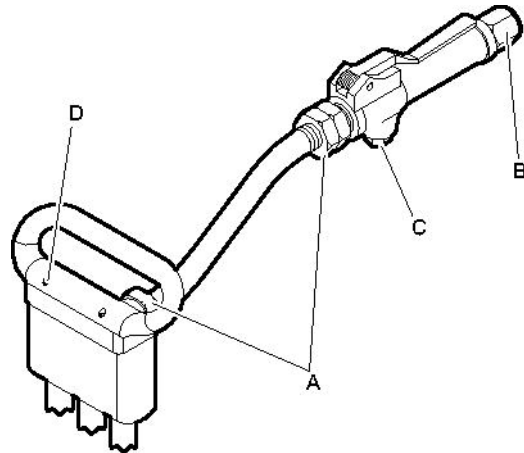
Ennen hakkurin männän huolto- tai vaihtotyön aloittamista paineilman tulo on katkaistava ja kone on tyhjennettävä paineilmasta painamalla käynnistys- ja pysäytyslaitteen käyttökytkintä. Irrota sen jälkeen ilmaletku koneesta.

- ◆ Puhdista ja tutki kone ja sen toiminnot päivittäin ennen työn aloittamista.
- ◆ Tutki kaikki mahdolliset vuoto- ja vauriokohteet.
- ◆ Tarkista, että imuilmän kara on tiukassa ja että kynsiliiitin on ehjä.
- ◆ Jos kone on varustettu tärinänvaimennuskahvalla, tarkista, että kahva liikkuu (ylös – alas) esteettä.
- ◆ Tarkista, että nivel liikkuu esteettä.
- ◆ Tarkista kumiholkin kunto.
- ◆ Vaihda vaurioituneet osat viipymättä.
- ◆ Vaihda kuluneet osat hyvissä ajoin.
- ◆ Varmista, että kaikki laitteiston osat, kuten letkut ja vedenerottimet huolletaan oikein.

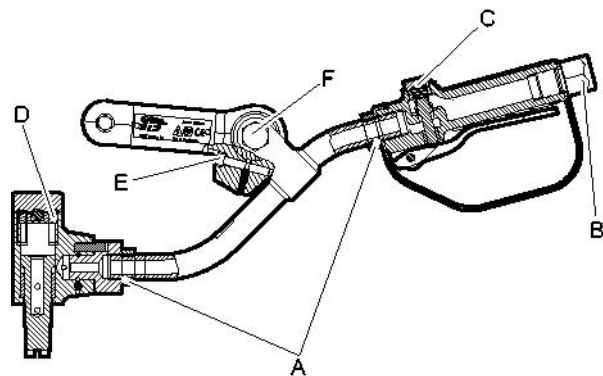
Määräaikaishuollot

Kone on purettava, kaikki osat on puhdistettava ja tarkastettava noin 100 käyttötunnin välein tai kolmesti vuodessa. Työ on annettava asianmukaisen koulutuksen saaneen, valtuutetun henkilöstön tehtäväksi.

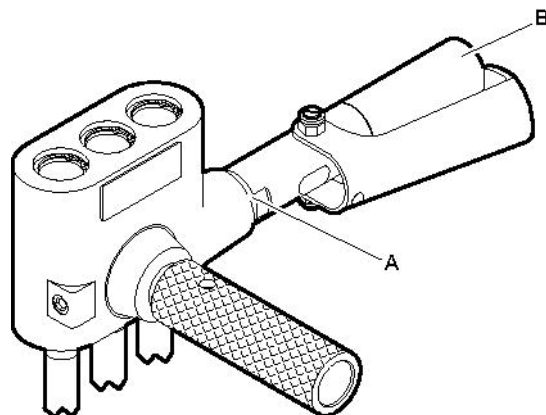
Kokoamisohjeet



CP 0006



CP 0006 SVR



CP 0066

- A. Kiristysmomentti: 35-40 lbf.ft (47-54 Nm), käytä Loctite® 542™ -kierrelukitetta. (Loctite on Henkel Corporationin rekisteröity tavaramerkki. 542 on Henkel Corporationin tavaramerkki.)
- B. Kiristysmomentti: 50-60 lbf.ft (68-81 Nm), käytä Loctite® 542™ -kierrelukitetta.
- C. Kiristysmomentti: 60-70 lbf.ft (81-95 Nm), käytä Loctite® 542™ -kierrelukitetta.
- D. Kiristysmomentti: 15-16 lbf.ft (20-22 Nm), käytä Loctite® 242™ -kierrelukitetta. (Loctite on Henkel Corporationin rekisteröity tavaramerkki. 242 on Henkel Corporationin tavaramerkki.)
- E. Kiristysmomentti: 13 lbf.ft (17 Nm).
- F. Kiristysmomentti: 44-52 lbf.ft (60-70 Nm)

Käytöstä poisto

Käytetty kone käsitellään ja romutetaan siten, että mahdollisimman suuri määrä materiaalista voidaan kierrättää paikallisten määräysten mukaan ja ympäristöhaitat pidetään mahdollisimman pieninä.

Vianmääritys

Jos hakkuri ei käynnisty, se toimii heikosti tai on suorituskyvyltään epätasainen, vika voidaan paikantaa tarkastamalla seuraavat kohteet.

- ◆ Tarkista, että mäntä ja sylinteri ovat puhtaat ja kuivat.
- ◆ Tarkista, että paineilmajärjestelmästä tulee koneeseen riittävä ilmanpaine, jotta teho pysyy täysimääräisenä.
- ◆ Tarkista, että ilmaletkun mitoitus ja pituus ovat suositusten mukaiset. Katso kohta "Asennus".
- ◆ Jos on olemassa jäätymisvaara, tarkista, että koneen poistoaukoissa ei ole tukoksia.

Jos koneen toiminta ei ole tyydyttävä näidenkään tarkistusten jälkeen, ota yhteyttä valtuutettuun huoltokorjaamoon.

Säilytys

- > Puhdista kone asianmukaisesti ennen varastointia, jotta vältetään altistuminen vaarallisille aineille. Katso kohta "Pölystä ja savukaasuista aiheutuvat vaaratilanteet".
- > Säilytä konetta aina kuivassa paikassa.

Tekniset tiedot

Koneen tiedot

Tyyppi	Paino lb (kg)	Pituus in. (mm)	Iskutaajuus Hz	Ilman kulutus foot ³ /min (l/s)
CP 0006	10 (4,5)	16 ½ (411)	50	27 ½ (13)
CP 0006 SVR	15 (6,8)	20 (510)	51	27 ½ (13)
CP 0066	10 (4,5)	11 (280)	50	27 ½ (13)

Melu- ja värinäarvoilmoitus

Taattu äänenvoimakkuustaso **L_w** ISO 3744:n mukaisesti täyttäen 2000/14/EY-direktiivin vaatimukset.

Äänenpainetaso, **L_p** ISO 11203:n mukaisesti.

Tärinäarvo **A** ja mittausepävarmuus **B** on määritetty ISO 20643. Ks. taulukossa ”Melu- ja värinätiedot” ilmoitetut A-, B- jne. arvot.

Ilmoitetut arvot on mitattu laboratoriotyyppisissä kokeissa ohessa mainittuja direktiivejä tai standardeja noudattaen, ja arvot ovat riittävät vertailtaessa ominaisuuksia muiden, samojen direktiivien tai standardien mukaan testattujen työkalujen kanssa. Ilmoitetut arvot eivät ole riittävät riskien arvioinneissa, ja yksittäisissä työkohteissa voidaan mitata korkeampia arvoja. Todelliset altistumisarvot ja yksittäisen käyttäjän kokemat haitat ovat tapauskohtaisia, ja ne riippuvat käyttäjän työtapojen, työkappaleen ja työkohteen suunnittelun ohella altistumisen kestoajasta sekä käyttäjän fyysisestä kunnosta ja koneen kunnosta.

Atlas Copco Construction Tools AB ei ole lakisääteisessä vastuussa tilanteissa, joissa käytetään ohessa esitettyjä arvoja todellisten tapauskohtaisten arvojen asemesta tehtäessä riskianalyysejä työpaikkakohteessa, johon emme voi vaikuttaa millään tavoin.

Tämä työkalu voi aiheuttaa käsiin ja käsivarsiin kohdistuvasta värinästä johtuvaa ns. HAVS-syndroomaa (hand-arm vibration syndrome), ellei koneesta pidetä työn aikana kiinni asianmukaisesti. Käsiin ja käsivarsiin kohdistuvaa värinää käsittelevän EU-oppaan voi ladata verkko-osoitteesta <http://www.humanvibration.com/EU/VIBGUIDE.htm>

Suosittelemme käyttöön terveystarkastusohjelmaa, jolla voidaan havaita mahdolliset värinäpäästöille altistumisen oireet jo niiden alkuvaiheessa. Siten voidaan ryhtyä asianmukaisiin työnjohdollisiin toimenpiteisiin työperäisten sairauksien estämiseksi.

Melu- ja värinätiedot

Tyyppi	Melu		Värinä	
	Ilmoitetut arvot		Ilmoitetut arvot	
	Äänenpaine	Ääniteho	Kolmen akselin arvot	
	ISO 11203	2000/14/EY	ISO 20643	
	L_p r=1m dB(A) suht. 20µPa	L_w taattu dB(A) suht. 1pW	A m/s ² arvo	B m/s ² hajonta
CP 0006	92	Ei määritelty	23,1	2,8
CP 0006 SVR	92	Ei määritelty	7,1	1,2
CP 0066	-	Ei määritelty	12,8	1,8

CE-vaatimustenmukaisuusvakuutus

CE-vaatimustenmukaisuusvakuutus (EY-direktiivi 2006/42/EY)

Me, Atlas Copco Construction Tools AB, vakuutamme täten, että alla luetellut koneet täyttävät EY-direktiivin 2006/42/EY (konedirektiivi) määräykset sekä alla mainitut yhdenmukaistetut standardit.

Käsitettävät paineilmatöimiset betonihakkurit	Pmax (baaria)
CP 0006	6.2
CP 0006 SVR	6.2
CP 0066	6.2

Sovelletut yhdenmukaistetut standardit:

- ◆ ISO/FDIS 11148-4

Teknisten asiakirjojen valtuutettu edustaja:

Erik Sigfridsson
 Atlas Copco Construction Tools AB
 Dragonvägen 2
 Kalmar

Toimitusjohtaja:

Erik Sigfridsson

Valmistaja:

Atlas Copco Construction Tools AB
 105 23 Stockholm
 Sweden

Paikka ja aika:

Kalmar, 2010-01-01

DANSK**Indhold**

Indledning	151
Om disse sikkerhedsinstruktioner og betjeningsvejledningen	151
Sikkerhedsinstruktioner	152
Sikkerhed, signalord.....	152
Personlige forholdsregler og kvalifikationer.....	152
Montering, forholdsregler.....	152
Betjening, forholdsregler.....	153
Vedligeholdelse, forholdsregler.....	156
Opbevaring, forholdsregler.....	156
Oversigt	157
Konstruktion og funktion.....	157
Hovedkomponenter.....	157
Mærkater.....	157
Montering	158
Slinger og tilslutninger.....	158
Tilslutning af en vandudskiller.....	158
Stempel.....	158
Betjening	159
Start og stop.....	159
Betjening.....	159
Når der holdes pause.....	160
Vedligeholdelse	160
Hver dag.....	160
Periodisk vedligeholdelse.....	160
Monteringsvejledning.....	160
Fejlfinding	161
Opbevaring	161
Bortskaffelse	161
Tekniske data	162
Maskinens data.....	162
Støj- og vibrationsdeklaration.....	162
Støj- og vibrationsdata.....	162
EF-overensstemmelseserklæring	163
EF-overensstemmelseserklæring (EF-direktiv 2006/42/EF).....	163

Indledning

Tak fordi De valgte Chicago Pneumatic produkter. I mere end hundrede år har Chicago Pneumatic produkterne været kendt høj ydelse og unik design indenfor luftdrevet værktøjer.

Idag er Chicago Pneumatic repræsenteret globalt med et komplet program af luftdrevet og hydrauliske værktøjer der inkluderer nedbrydningshamre, borehamre, mejselhamre, ler- hamre, nitte hamre, dykpumper, kapsave og meget mere.

Chicago Pneumatic har altid været fokuseret på levering af stærke og pålidelige produkter . der er lette at vedligeholde og giver kunden meget for pengene.

Læs mere på www.cp.com

Atlas Copco Construction Tools AB
105 23 Stockholm
Sweden

Om disse sikkerhedsinstruktioner og betjeningsvejledningen

Formålet med instruktionerne er at give Dem viden om, hvordan den luftdrevne scrabblen anvendes effektivt og sikkert. Vejledningen indeholder desuden gode råd og giver anvisninger om regelmæssig vedligeholdelse af den luftdrevne scrabblen.

Det er nødvendigt, at De læser denne vejledning omhyggeligt igennem og forstår alle anvisningerne, før De anvender den luftdrevne scrabblen for første gang.

Sikkerhedsinstruktioner

For at reducere risikoen for alvorlig tilskadekomst eller død for Dem selv eller andre skal De læse og forstå sikkerhedsinstruktionerne og betjeningsvejledningen, inden De arbejder med, reparerer, vedligeholder eller udskifter tilbehør på maskinen.

Slå sikkerhedsinstruktionerne og betjeningsvejledningen op på de steder, hvor der arbejdes med maskinen, udlevér kopier til Deres ansatte, og sørg for, at alle læser sikkerhedsinstruktionerne og betjeningsvejledningen, før de arbejder med eller vedligeholder maskinen.

Desuden bør operatøren, eller dennes arbejdsgiver, vurdere de specifikke risici, som kunne forekomme i forbindelse med brug af maskinen.

Sikkerhed, signalord

Signalordene Fare, Advarsel og Forsigtig har følgende betydninger:

FARE	Angiver en farlig situation, som, hvis den ikke forhindres, vil medføre død eller alvorlig tilskadekomst.
ADVARSEL	Angiver en farlig situation, som, hvis den ikke forhindres, kan medføre død eller alvorlig tilskadekomst.
FORSIGTIG	Angiver en farlig situation, som, hvis den ikke forhindres, kan medføre mindre eller moderat tilskadekomst.

Personlige forholdsregler og kvalifikationer

Kun kvalificeret og trænet personale må betjene og vedligeholde maskinen. De skal rent fysisk være i stand til at håndtere godset, vægten og værktøjets kraft. Brug altid sund fornuft og god dømmekraft.

Personligt beskyttelsesudstyr

Anvend altid godkendt beskyttelsesudstyr. Operatører og alle andre personer i arbejdsområdet skal være iført beskyttelsesudstyr, herunder som et minimum:

- > Beskyttelseshjelm
- > Høreværn
- > Slagfaste beskyttelsesbriller med sidebeskyttelse

- > Åndedrætsværn når påkrævet
- > Beskyttelseshandsker
- > Passende sikkerhedsstøvler
- > Passende arbejdsdragt eller lignende beklædning (ikke løst siddende tøj), som dækker arme og ben.

Narkotika, alkohol eller medicin

▲ **ADVARSEL** Narkotika, alkohol eller medicin

Narkotika, alkohol eller medicin kan påvirke Deres dømmekraft og koncentrationsevne. Nedsat reaktionsevne og forkerte vurderinger kan medføre alvorlige ulykker eller dødsfald.

- ▶ Brug aldrig maskinen når De er træt eller under indflydelse af narkotika, alkohol eller medicin.
- ▶ Ingen personer, der er under indflydelse af narkotika, alkohol eller medicin, må betjene maskinen.

Montering, forholdsregler

▲ **FARE** Piskende luftslange

En trykluftslange der går løs, kan piske frem og tilbage og forårsage personskade eller dødsfald. Sådan reduceres risikoen:

- ▶ Kontrollér, at trykluftslangen og -forbindelserne ikke er beskadigede, udskift dem om nødvendigt.
- ▶ Kontrollér, at alle tryklufttilslutninger er sat ordentligt fast.
- ▶ Bær aldrig en trykluftmaskine i luftslangen.
- ▶ Forsøg aldrig at tage en trykluftslange af, der er under tryk. Sluk først for trykluft på kompressoren, og udluft derefter maskinen ved at aktivere start/stop-anordningen.
- ▶ Ret aldrig en trykluftslange mod Dem selv eller andre. For at undgå risikoen for personskader, må trykluft aldrig benyttes til at blæse for eksempel støv, snavs eller lignende af tøj.
- ▶ Brug ikke lynkoblinger på værktøjsåbningen. Brug slangekoblinger med gevind af hærdet stål (eller materiale med tilsvarende stødsikkerhed).
- ▶ Når der bruges universale spiralkoblinger (klokoblinger), anbefaler vi, at der anbringes låsetapper og piskestop-sikkerhedskabler for beskytte mod et muligt forbindelsessvigt mellem slange og værktøj eller slange og slange.

Betjening, forholdsregler

▲ FARE Eksplosionsfare

Hvis et stempel kommer i kontakt med sprængstoffer eller eksplosive gasser, kan der ske en eksplosion. Ved arbejde med visse materialer og ved brug af visse materialer i maskinens dele kan der fremkomme gnister og antændelse. Eksplosioner kan føre til alvorlige skader eller dødsfald.

- ▶ Arbejd aldrig med maskinen i et eksplosionsfarligt miljø.
- ▶ Brug aldrig maskinen i nærheden af brændbare materialer, dampe eller støv.
- ▶ Kontrollér, at der ikke findes skjulte kilder af gas eller sprængstoffer.

▲ ADVARSEL Uventede bevægelser

Stemplet udsættes for kraftige påvirkninger, når maskinen bruges. Stemplet kan knække på grund af metaltræthed efter nogen tids brug. Hvis stemplet knækker eller sætter sig fast, kan der opstå uventede bevægelser, som kan medføre tilskadekomst. Man kan endvidere komme til skade, hvis man mister balancen eller snubler.

- ▶ Sørg for altid at stå sikkert og med kroppens vægt velafbalanceret.
- ▶ Efterse altid udstyret før brug. Anvend aldrig udstyret, hvis De har mistanke om, at det er beskadiget.
- ▶ Sørg for at håndtagene er rene og fri for fedt og olie.
- ▶ Hold hænder og fødder på afstand fra stemplet.
- ▶ Hold altid fast i maskinen med begge hænder.
- ▶ Slå eller misbrug aldrig udstyret.
- ▶ Kontrollér regelmæssigt stemplet for slid, og kontrollér, om der er tegn på beskadigelse eller synlige revner.
- ▶ Vær opmærksom og se på det, De laver.

▲ ADVARSEL Støv- og damprisiko

Støv og/eller damp, som opstår eller spredes ved brug af denne maskine kan forårsage alvorlig og permanent sygdom, lidelse eller anden legemlig skade (for eksempel silikose eller anden irreversibel lungesygdom, som kan være livsfarlig, kræft, fødselsdefekter og/eller hudinflammationer).

Nogle slags støv og damp, som opstår ved boring, brydning, hamring, savning, slibning og andre byggeaktiviteter, indeholder substanser, som staten Californien og andre myndigheder har erklæret ansvarlige for åndedrætssygdomme, kræft, fødselsdefekter eller anden forplantningsskade. Nogle eksempler på sådanne substanser er:

- > Krystallinsk kvarts, cement og andre murværksmaterialer.
- > Arsenik og krom fra kemisk behandlet gummi.
- > Bly fra blybaseret maling.

Stol ikke på, hvad du ser, når du vil afgøre, om der er støv eller damp i luften, for støv og damp i luften kan være usynlig for det blotte øje.

Gør følgende for at reducere risikoen for at blive udsat for støv og damp:

- ▶ Foretag en arbejdspladsspecifik risikovurdering. Risikovurderingen skal omfatte støv og damp, som opstår ved brug af maskinen, og eventuelt allerede eksisterende generende støv.
- ▶ Anvend passende teknikker til at minimere mængden af støv og damp i luften og en ophobning af det på udstyr, overflader, tøj og legemsdele. Eksempler på teknikker: udblæsningsventilation og støvopsamlingsystemer, vandforstøvere og vådboring. Kontrollér støv og damp, der hvor det opstår, hvis det er muligt. Sørg for, at de forskellige anordninger er monteret korrekt, vedligeholdes og bruges rigtigt.
- ▶ Bær, vedligehold og brug åndedrætsværn rigtigt som anvist af Deres arbejdsgiver og som det kræves af arbejdssundheds- og sikkerhedsforskrifterne. Åndedrætsværnet skal være effektivt for den type substanser, det drejer sig om (og om muligt godkendt af en kompetent offentlig myndighed).
- ▶ Arbejd i et godt ventileret område.
- ▶ Hvis maskinen har en udblæsning, skal den ledes, så at genen ved støv reduceres i den støvfyldte omgivelse.
- ▶ Brug og vedligehold maskinen som anbefalet i sikkerhedsinstruktionerne og betjeningsvejledningen

- ▶ Vælg, vedligehold og udskift forbrugsvarer/indsætningsværktøjer/ andet tilbehør som anbefalet i sikkerhedsinstruktionerne og betjeningsvejledningen. Forkert valg eller mangel på vedligeholdelse af forbrugsvarer/indsætningsværktøjer/ andet tilbehør kan forårsage unødvendig forøgelse af støv eller damp.
- ▶ Bær vaskbart eller engangsbeskyttelsestøj på arbejdsstedet, og tag bad og skift til rent tøj, før arbejdspladsen forlades for derved at begrænse påvirkning fra støv og damp på Dem selv, andre mennesker, biler, hjem og andre områder.
- ▶ Undgå at spise, drikke og ryge på områder, hvor der er støv og damp.
- ▶ Vask Deres hænder og ansigt omhyggeligt så hurtigt som muligt, efter at de har forladt det eksponerede område, og altid inden De spiser, drikker, ryger eller har kontakt med andre mennesker.
- ▶ Overhold alle relevante love og bestemmelser, også arbejdssundheds- og sikkerhedsforskrifter.
- ▶ Deltag i de luftovervågningsprogrammer, helbredsundersøgelser og sundheds- og sikkerhedstræningsprogrammer, som Deres arbejdsgiver eller erhvervsorganisationer tilbyder i henhold til arbejdssundheds- og sikkerhedsforskrifter og anbefalinger. Søg en læge, som har erfaring med relevant arbejdsmedicin.
- ▶ Samarbejd med din arbejdsgiver og erhvervsorganisation på at reducere udsættelsen for støv og damp på arbejdspladsen og på at reducere risiciene. Effektive sundheds- og sikkerhedsprogrammer, foranstaltninger og fremgangsmåder til beskyttelse af arbejdstagere og andre mod farlig udsættelse for støv og damp skal etableres og implementeres baserende på rådgivning fra sundheds- og sikkerhedsekspert. Rådfør Dem med eksperter.

▲ ADVARSEL Projektiler

Fejl på arbejdsemnet, på tilbehør eller på selve maskinen kan frembringe projektiler med høj hastighed. Når der arbejdes, kan splinter eller andre partikler fra det bearbejdede materiale blive til projektiler og forårsage personskade, hvis de rammer operatøren eller andre personer. Sådan reduceres risikoen:

- ▶ Brug godkendt personligt beskyttelsesudstyr og sikkerhedshjelm, herunder stødresistent øjenværn med sidebeskyttelse.
- ▶ Sørg for, at uautoriserede personer ikke får adgang til arbejdsområdet.
- ▶ Hold arbejdsstedet rent og frit for fremmedlegemer.
- ▶ Sørg for, at arbejdsemnerne er sikkert fastgjort.

▲ ADVARSEL Risiko for at glide, snuble og falde

Der er risiko for at glide, snuble eller falde, for eksempel ved at snuble over maskinens slanger eller andre genstande. Man kan komme til skade ved at glide, snuble eller falde. Sådan reduceres risikoen:

- ▶ Sørg for, at der ikke er slanger eller andre genstande i vejen for Dem eller andre personer.
- ▶ Sørg for altid at stå sikkert og hold kroppens vægt velafbalanceret.

▲ ADVARSEL Risiko ved manglende bevægelse

Når De bruger maskinen til at udføre arbejdsrelaterede opgaver, oplever De måske ubehag i hænder, arme, skuldre, nakke eller andre dele af kroppen.

- ▶ Indtag en komfortabel kropsstilling, bibehold et sikkert fodfæste og undgå akavede uafbalancerede kropsstillinger.
- ▶ Det hjælper med til at undgå ubehag og træthed, hvis man skifter stilling under lange arbejdsopgaver.
- ▶ I tilfælde af vedvarende eller tilbagevendende symptomer, skal en kvalificeret specialist konsulteres.

▲ ADVARSEL Vibrationsrisiko

Normal og korrekt brug af maskinen udsætter operatøren for vibrationer. Udsættes man regelmæssigt og hyppigt for vibrationer, kan det forårsage eller bidrage til at forværre skader eller sygdomme i operatørens fingre, hænder, håndled, arme, skuldre og/eller nerver og blodtilførsel eller andre dele af kroppen, også svækkende og/eller permanente skader eller sygdomme, som kan udvikle sig gradvist over perioder på uger, måneder eller år. Sådanne skader eller sygdomme kan også være kredsløbsskader, skader på nervesystemet, ledskader og muligvis skader på andre af kroppens strukturer. Hvis der på noget tidspunkt optræder følelsesløshed, vedvarende tilbagevendende ubehag, brændende fornemmelse, stivhed, dunken, snurren, smerter, klodsethed, svækket gribeevne, hvidfarvning af huden eller andre symptomer, uanset om det sker under arbejde med maskinen eller ikke, må der ikke længere arbejdes med maskinen og der skal søges lægehjælp. Fortsat brug af maskinen efter, at der har været den slags symptomer, kan øge risikoen for, at symptomerne bliver mere alvorlige og/eller permanente.

Brug og vedligehold maskinen som anbefalet i denne vejledning, så der undgås unødigt forøgelse af vibrationer.

Følgende kan være med til at reducere vibrationspåvirkningen for operatøren:

- ▶ Lad værktøjet gøre arbejdet. Hold så let på maskinen, som behørig kontrol og sikker betjening tillader.
- ▶ Når slagfunktionen er aktiveret, bør Deres eneste kontakt med maskinen være Deres hænder på håndtaget eller håndtagene. Undgå enhver anden kontakt, for eksempel at støtte nogen del af kroppen mod maskinen eller at læne Dem mod maskinen i et forsøg på at forstærke slagkraften. Det er også vigtigt, at start- og stopanordningen ikke er tilkoblet, når værktøjet trækkes væk fra den flade, der arbejdes på.
- ▶ Hvis der bruges et slidt stempel, vil det tage længere tid at gøre arbejdet færdigt og vibrationsniveauet kan stige. Sørg for at stemplet er godt vedligeholdt og ikke slidt. Det er også vigtigt, at der bruges et skarp stempel, så arbejdet er effektivt.
- ▶ Indstil straks arbejdet, hvis maskinen pludseligt begynder at vibrere kraftigt. Før arbejdet genoptages, skal årsagen til de forstærkede vibrationer findes og fjernes.
- ▶ Undlad altid at tage fat i, holde om eller røre ved stemplet, når maskinen er i brug.

- ▶ Tag imod sundhedskontrol eller -overvågning, helbredsundersøgelser og træningsprogrammer, når det tilbydes af Deres arbejdsgiver, og når det er påbudt ved lov.
- ▶ Tag varmt tøj på og hold Deres hænder varme og tørre, når De arbejder i kulde.

Se „Støj- og vibrationsdeklarationen“ for maskinen, herunder også de deklarerede vibrationsværdier. Disse oplysninger findes sidst i denne manual med sikkerhedsinstruktioner og betjeningsvejledning.

- ◆ Overhold det anbefalede lufttryk ved arbejde med maskinen. Hvis der arbejdes med et højere eller lavere lufttryk, kan det resultere i højere vibrationsniveauer.

▲ FARE Elektrisk fare

Maskinen er ikke elektrisk isoleret. Hvis maskinen kommer i kontakt med elektricitet, kan det resultere i alvorlige skader eller død.

- ▶ Brug aldrig maskinen i nærheden af en elektrisk ledning eller anden elektrisk kilde.
- ▶ Kontrollér, at der ikke er skjulte ledninger eller andre elektricitetskilder i arbejdsområdet.

▲ ADVARSEL Fare ved skjulte genstande

Når der arbejdes, udgør skjulte ledninger og rør en fare, som kan resultere i alvorlige skader.

- ▶ Kontrollér materialernes sammensætning før arbejdsstart.
- ▶ Pas på skjulte kabler og rør, for eksempel til elektricitet, telefon, vand, gas og spildevand etc.
- ▶ Hvis det ser ud til, at stemplet har ramt en skjult genstand, skal der straks slukkes for maskinen.
- ▶ Før der fortsættes, skal det sikres, at der ikke er fare på færde.

▲ ADVARSEL Utilsigtet start

Utilsigtet start af maskinen kan forårsage skader.

- ▶ Hold hænderne væk fra start- og stopanordningen, indtil De er klar til at starte maskinen.
- ▶ Lær hvordan maskinen slås fra, hvis der opstår en nødsituation.
- ▶ Slip straks start- og stopanordningen i tilfælde af, at kraftforsyningen afbrydes.
- ▶ Ved eftersyn af maskinen skal der slukket for tryklufttilførslen, maskinen udluftes, ved at der trykkes på start- og stopanordningen, og maskinen skal tages fra kraftkilden.

▲ ADVARSEL Støjrisiko

Høje støjniveauer kan forårsage permanent og invaliderende høretab og andre problemer, som f.eks. tinnitus (ringende, summende, fløjtende eller brummende lyde i ørerne). For at reducere risikoen og forebygge unødvendig forøgelse af støjniveauer, er det:

- ▶ Vigtigt med en risikovurdering af disse farer og implementering af passende kontrolforanstaltninger.
- ▶ Betjen og vedligehold maskinen som anbefalet i denne vejledning.
- ▶ Vælg, vedligehold og udskift indsætningsværktøjet som anbefalet i denne vejledning.
- ▶ Hvis maskinen har en lyddæmper kontrolleres, at den sidder rigtigt og er i god driftstilstand.
- ▶ Brug altid høreværn.
- ▶ Brug dæmpningsmateriale for at forhindre, at arbejdsredskaberne „ringer“.

Vedligeholdelse, forholdsregler

▲ ADVARSEL Maskinmodifikation

Enhver modifikation af maskinen kan medføre personskade.

- ▶ Modificér aldrig maskinen. Modificerede maskiner dækkes ikke af garanti eller produktansvar.
- ▶ Anvend altid originale dele, indsætningsværktøjer og tilbehør.
- ▶ Udskift omgående beskadigede dele.
- ▶ Udskift slidte komponenter i god tid.

▲ FORSIGTIG Varmt stempel

Stemplets spids kan blive varm og skarp, når den bruges. Berøring kan medføre forbrændinger og snitsår.

- ▶ Rør aldrig ved et varmt eller skarpt stempel.
- ▶ Vent indtil stemplet er kølet af, inden der udføres vedligeholdelsesarbejde.

Opbevaring, forholdsregler

- ◆ Opbevar maskinen et sikkert sted, hvor den er uden for børns rækkevidde og låst inde.

Oversigt

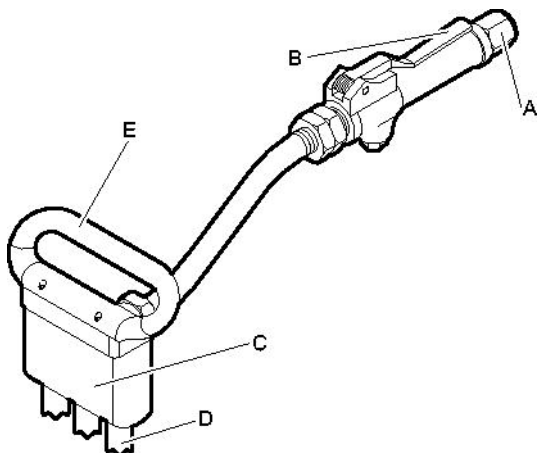
For at reducere risikoen for, at De selv eller andre bliver alvorligt skadet eller dræbt, skal De læse afsnittet med sikkerhedsinstruktioner på de foregående sider i denne håndbog, før De arbejder med maskinen.

Konstruktion og funktion

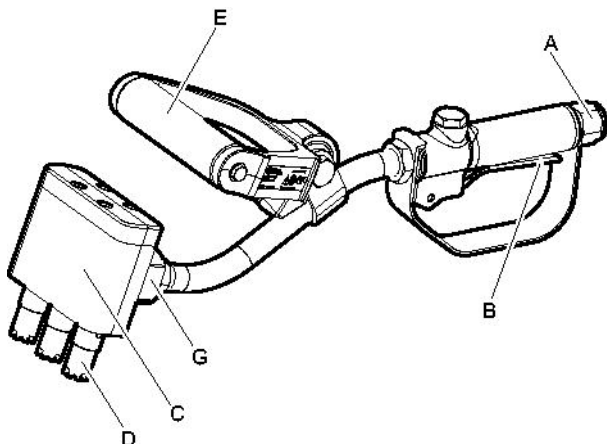
CP 0006, CP 0006 SVR og CP 0066 er maskiner konstrueret til afskalning, oprunding eller fjernelse af beton. De kan også bruges til at fjerne rust på stålflader. Der kan arbejdes både vandret og lodret med maskinen. Ingen anden anvendelse er tilladt.

Det korrekte stempel vælges ved hjælp af reservedelslisten.

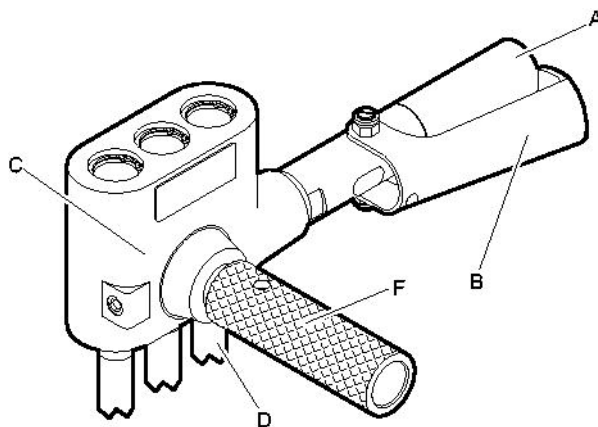
Hovedkomponenter



CP 0006



CP 0006 SVR



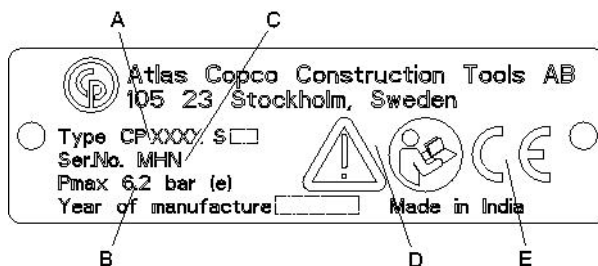
CP 0066

- A. Luftindtag
- B. Start- og stopanordning
- C. Cylinder
- D. Stempel
- E. Fronthåndtag
- F. Sidehåndtag
- G. Drejeled

Mærkater

Maskinen er forsynet med mærkater, som indeholder vigtige informationer om personlig sikkerhed og maskinens vedligeholdelse. Mærkaterne skal være i en sådan tilstand, at de nemt kan læses. Nye mærkater kan bestilles fra reservedelslisten.

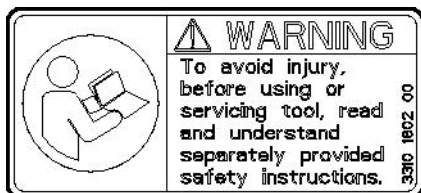
Typeskilt



- A. Maskintype
- B. Maksimalt tilladt tryk for tryklufforsyning
- C. Serienummer

- D. Advarselssymbolet sammen med bogsymbolet betyder, at brugeren skal læse sikkerhedsinstruktionerne og betjeningsvejledningen, før maskinen anvendes første gang.
- E. CE-symbolet betyder, at maskinen er EU-godkendt. Se EU-deklarationen, som følger med maskinen, for yderligere information. Hvis CE-symbolet mangler, betyder det, at maskinen ikke er EU-godkendt.

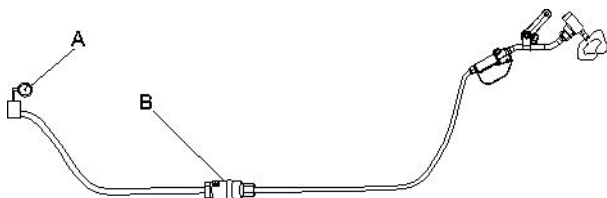
Sikkerhedsmærkat



For at undgå tilskadekomst skal de separat udleverede sikkerhedsinstruktioner læses og forstås, inden værktøjet bruges eller vedligeholdes.

Montering

Slanger og tilslutninger



- A. Trykluftkilde
 - B. Vandudskiller (ekstraudstyr)
- ◆ Kontrollér, at De anvender det anbefalede arbejdstryk, 87 psig (6 bar (e)).
 - ◆ Det maksimalt tilladte lufttryk, 90 psig (6,2 bar (e)), må ikke overskrides.
 - ◆ Blæs eventuelle urenheder ud af trykluftslangen, før den sættes til maskinen.
 - ◆ Vælg en trykluftslange i korrekt dimension og længde. Til slangelængder på op til 100 feet (30 meter) skal der bruges en slange med en minimumsdiameter på $\frac{3}{4}$ " (19 mm). Slanger på mellem 100 og 330 feet (30 og 100 meter) bør have en indvendig minimumsdiameter på 1" (25 mm).

- ◆ Smør aldrig stemplet. Det kan føre til utilsigtede standsninger af maskinen.
- ◆ En mulighed for at gøre driften af maskinen lettere er at bruge en gummislange med en indvendig diameter på $\frac{3}{8}$ " (9,5 mm) og en længde på 10 feet (3 m) nærmest ved maskinen.

Tilslutning af en vandudskiller

Der skal anvendes en tilstrækkeligt lang slange mellem kompressoren og vandudskilleren for at sikre, at vanddampen afkøles og kondenseres i slangen, før den når frem til vandudskilleren.

Hvis den omgivende temperatur er under 32°F (0°C), skal slangen være kort nok til at forhindre, at vandet fryser i slangen, før det når frem til vandseparatoren.

Stempel

▲ FORSIGTIG Varmt stempel

Stemplets spids kan blive varm og skarp, når den bruges. Berøring kan medføre forbrændinger og snitsår.

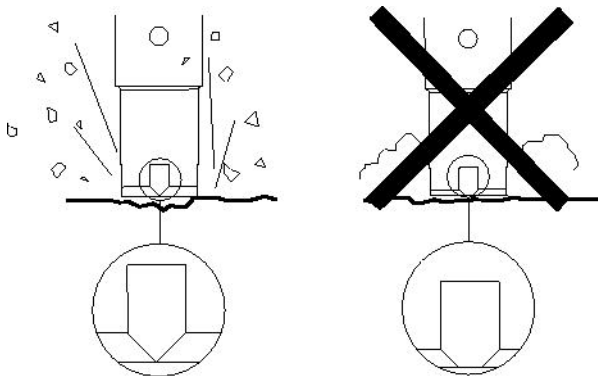
- ▶ Rør aldrig ved et varmt eller skarpt stempel.
- ▶ Vent indtil stemplet er kølet af, inden der udføres vedligeholdelsesarbejde.

BEMÆRK Afkøl aldrig et varmt stempel i vand, det kan føre til skrøbelighed og tidligt svigt.

▲ ADVARSEL Vibrationsrisiko

Hvis der bruges et slidt stempel, vil det tage længere tid at gøre arbejdet færdigt og vibrationsniveauet kan stige.

- ▶ Sørg for at stemplet er godt vedligeholdt og ikke slidt.
- ▶ Brug altid et skarpt stempel, så De kan arbejde effektivt.



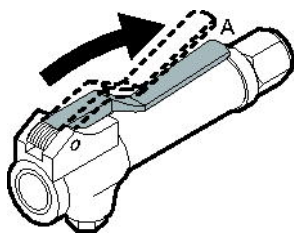
Betjening

▲ ADVARSEL Utilsigtet start

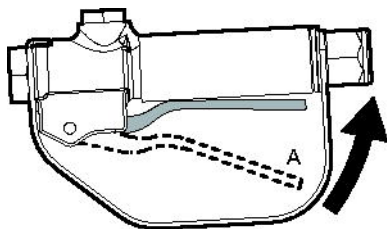
Utilsigtet start af maskinen kan forårsage skader.

- ▶ Hold hænderne væk fra start/stop-anordningen, indtil De er klar til at starte maskinen.
- ▶ Lær hvordan maskinen slås fra, hvis der opstår en nødsituation.
- ▶ Stands maskinen omgående i tilfælde af afbrydelse af kraftforsyningen.

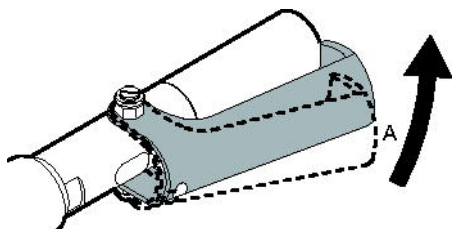
Start og stop



CP 0006

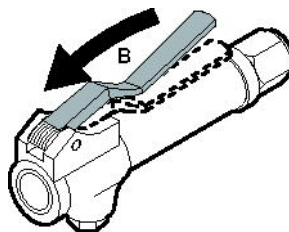


CP 0006 SVR

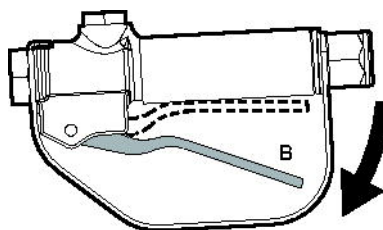


CP 0066

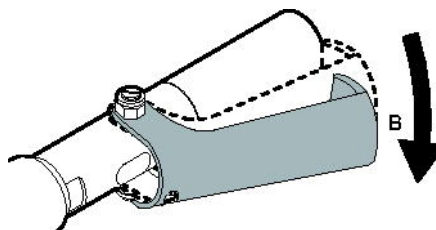
- ◆ Start maskinen ved at trykke på aftrækkeren (A), mens De holder godt fast i håndtaget.



CP 0006



CP 0006 SVR



CP 0066

- ◆ Stop maskinen ved at slippe aftrækkeren (B). Aftrækkeren går automatisk tilbage til stopstillingen.

Betjening

Start af skæring

- ◆ Stå sikkert og hold fast i scabbleren med begge hænder.
- ◆ Pres scabbleren let mod arbejdsfladen, inden De starter.

Arbejde

- ◆ Lad maskinen gøre arbejdet, og undgå at presse for hårdt.
- ◆ Enhver form for kørsel i tomgang eller arbejde med løftet maskine, bør undgås.
- ◆ Når maskinen er løftet, må start- og stopanordningen ikke aktiveres.

- ◆ Kontrollér at trykluftten er ren, tør og fri for smøremiddel.

Når der holdes pause

- ◆ Når De holder pause, skal maskinen altid opbevares på en måde, så der ikke er risiko for, at den startes utilsigtet. Sørg for at anbringe maskinen på jorden, så den ikke kan falde ned.
- ◆ Ved længere pauser, eller når arbejdspladsen forlades: Sluk først for kraftforsyningen og udluft derefter maskinen ved at aktivere start/stop-anordningen.

Vedligeholdelse

Regelmæssig vedligeholdelse er et grundlæggende krav til fortsat sikker og effektiv brug af maskinen. Følg vedligeholdelsesinstruktionerne omhyggeligt.

- ◆ Rens maskinen, inden vedligeholdelsesarbejderne udføres, så De ikke udsættes for farlige substanser. Se „Støv- og damprisiko“
- ◆ Brug kun godkendte dele. Skader eller fejl, som opstår på grund af ikke-godkendte reservedele, dækkes ikke af garanti eller produktansvar.
- ◆ Ved rensning af mekaniske dele med et opløsningsmiddel, skal gældende sundheds- og sikkerhedsbestemmelser overholdes, og der skal være tilstrækkelig ventilation.
- ◆ Ved behov for et større eftersyn af maskinen, kontaktes nærmeste autoriserede værksted.
- ◆ Kontrollér efter hvert eftersyn, at maskinens vibrationsniveau er normalt. Hvis det ikke er tilfældet, kontaktes nærmeste autoriserede værksted

Hver dag

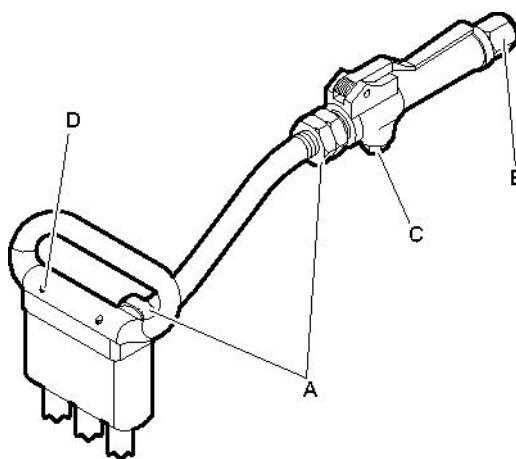
Før der udføres vedligeholdelse eller skiftes stempel på scabbleren, skal der altid slukkes for lufttilførslen og maskinen afluftes ved at trykke på start- og stopanordningen, hvorefter luftslangen tages af maskinen.

- ◆ Rens maskinen og efterse den og dens funktioner hver dag, inden arbejdet begyndes.
- ◆ Foretag et generelt eftersyn for lækager og skader.
- ◆ Kontrollér, at luftindgangsniplen er spændt fast, og at klokoblingen er fri for skader.
- ◆ Hvis maskinen har et vibrationsreducerende håndtag, skal det kontrolleres, at det kan bevæges frit (op og ned) og ikke sidder fast.
- ◆ Kontrollér at drejeleddet kan bevæges frit og ikke sidder fast.
- ◆ Kontrollér gummibøsningens tilstand.
- ◆ Udskift omgående beskadigede dele.
- ◆ Udskift slidte komponenter i god tid.
- ◆ Sørg for, at alt påsat og tilhørende udstyr, såsom slanger og vandudskillere vedligeholdes ordentligt.

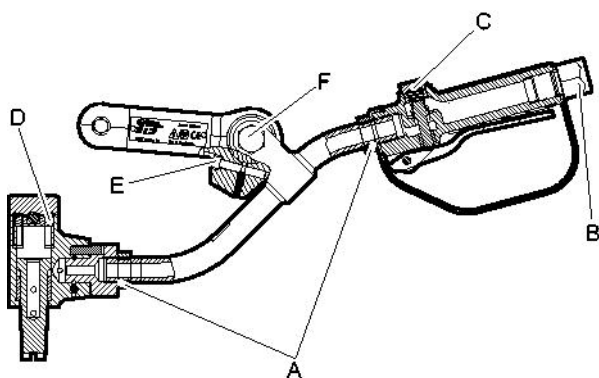
Periodisk vedligeholdelse

Efter hver brugsperiode på ca. 100 driftstimer eller tre gange om året skal maskinen adskilles og alle dele renses og efterses. Dette arbejde skal udføres af autoriseret personale, som er uddannet til denne opgave.

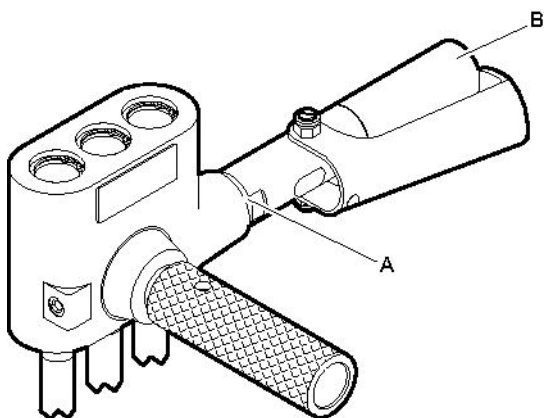
Monteringsvejledning



CP 0006



CP 0006 SVR



CP 0066

- A. Tilspændingsmoment: 35-40 lbf.ft (47-54 Nm), brug Loctite® 542™ (Loctite er et registreret varemærke fra Henkel Corporation. 542 er et varemærke fra Henkel Corporation.)
- B. Tilspændingsmoment: 50-60 lbf.ft (68-81 Nm), brug Loctite® 542™
- C. Tilspændingsmoment: 60-70 lbf.ft (81-95 Nm), brug Loctite® 542™
- D. Tilspændingsmoment: 15-16 lbf.ft (20-22 Nm), brug Loctite® 242™ (Loctite er et registreret varemærke fra Henkel Corporation. 242 er et varemærke fra Henkel Corporation.)
- E. Tilspændingsmoment: 13 lbf.ft (17 Nm).
- F. Tilspændingsmoment: 44-52 lbf.ft (60-70 Nm).

Fejlfinding

Hvis scabbleren ikke vil starte, mangler kraft eller kører ujævnt, kontrolleres følgende punkter.

- ◆ Kontrollér at stempel og cylinder er rene og tørre.
- ◆ Kontrollér, at trykluftsystemet forsyner maskinen med tilstrækkeligt trykluft til fuld kraft.
- ◆ Kontrollér luftslangens dimension og længde i henhold til de givne anbefalinger. Se „Montering“.
- ◆ Hvis der er risiko for frysning, skal det kontrolleres, at maskinens afgangsåbninger ikke er blokerede.

Hvis maskinen stadig ikke fungerer tilfredsstillende efter gennemførelse af disse kontroller, kontaktes et autoriseret værksted.

Opbevaring

- > Rens maskinen grundigt før den opbevares, så farlige substanser undgås. Se „Støv- og damprisiko“.
- > Maskinen skal altid opbevares på et tørt sted.

Bortskaffelse

En brugt maskine skal behandles og bortskaffes således, at materialet kan genbruges i størst muligt omfang, så enhver negativ påvirkning af miljøet bliver så lav som muligt og i henhold til de lokale forskrifter.

Tekniske data

Maskinens data

Type	Vægt lb (kg)	Længde in. (mm)	Slagfrekvens Hz	Luftforbrug foot ³ /min (l/s)
CP 0006	10 (4,5)	16 ½ (411)	50	27 ½ (13)
CP 0006 SVR	15 (6,8)	20 (510)	51	27 ½ (13)
CP 0066	10 (4,5)	11 (280)	50	27 ½ (13)

Støj- og vibrationsdeklaration

Garanteret lydeffektniveau **L_w** i henhold til ISO 3744 i overensstemmelse med Direktiv 2000/14/EF.

Lydtryksniveau **L_p** i henhold til ISO 11203.

Vibrationsværdier **A** og usikkerhed **B** fastlagt i henhold til ISO 20643. Se tabel „Støj- og vibrationsdata“ vedrørende værdierne for A, B, etc.

Disse deklarerede værdier er fundet ved typeprøvning i laboratorium i overensstemmelse med det angivne direktiv eller de angivne normer og er egnet til sammenligning med de deklarerede værdier for andet værktøj, som er testet i overensstemmelse med det samme direktiv eller de samme normer. Disse deklarerede værdier er ikke egnede til at anvendes i risikovurderinger, og værdier målt på de enkelte arbejdssteder kan være højere. De faktiske eksponeringsværdier og risici for overlast, der opleves af den enkelte bruger er unikke og afhænger af, hvordan brugeren arbejder, hvilket materiale maskinen anvendes på, samt på eksponeringstiden og brugerens fysiske tilstand og maskinens tilstand.

Vi, Atlas Copco Construction Tools AB, kan ikke holdes ansvarlige for følgerne af at anvende de deklarerede værdier i stedet for værdier, der afspejler den faktiske eksponering i en individuel risikovurdering i en arbejdssituation, som vi ikke har nogen indflydelse på.

Dette værktøj kan give hånd-arm vibrationssyndrom, hvis det ikke anvendes hensigtsmæssigt. En EU-vejledning til håndtering af hånd-armvibration kan findes på <http://www.humanvibration.com/EU/VIBGUIDE.htm>

Vi anbefaler et sundhedsovervågningsprogram med det formål at detektere tidlige symptomer, som kan stå i forbindelse med vibrationseksponering, således at procedurerne kan modificeres med henblik på at forebygge fremtidig skade.

Støj- og vibrationsdata

Type	Støj		Vibration	
	Deklarerede værdier		Deklarerede værdier	
	Lydtryk	Lydeffekt	Værdier i forhold til tre akser	
	ISO 11203	2000/14/EF	ISO 20643	
	L_p r=1m dB(A) rel 20µPa	L_w garanteret dB(A) rel 1pW	A m/s ² værdi	B m/s ² spredning
CP 0006	92	N/A	23,1	2,8
CP 0006 SVR	92	N/A	7,1	1,2
CP 0066	-	N/A	12,8	1,8

EF-overensstemmelseserklæring

EF-overensstemmelseserklæring (EF-direktiv 2006/42/EF)

Vi, Atlas Copco Construction Tools AB, erklærer hermed, at nedennævnte maskiner er i overensstemmelse med bestemmelserne i EF-direktiv 2006/42/EF (Maskindirektiv), og nedennævnte harmoniserede standarder.

Håndholdt Luftdrevet scabblers	Pmax (bar)
CP 0006	6.2
CP 0006 SVR	6.2
CP 0066	6.2

Følgende harmoniserede standarder er anvendt:

- ◆ ISO/FDIS 11148-4

Autoriseret repræsentant for teknisk dokumentation:

Erik Sigfridsson
 Atlas Copco Construction Tools AB
 Dragonvägen 2
 Kalmar

Administrerende direktør:

Erik Sigfridsson

Producent:

Atlas Copco Construction Tools AB
 105 23 Stockholm
 Sweden

Sted og dato:

Kalmar, 2010-01-01

NORSK

Innhold

Introduksjon	165
Om Sikkerhetsinstrukser og bruksanvisning	165
Sikkerhetsinstrukser	166
Signalord.....	166
Personlige forholdsregler og kvalifikasjoner.....	166
Installasjon, forholdsregler.....	166
Drift, forholdsregler.....	167
Vedlikehold, forholdsregler.....	170
Lagring, forholdsregler.....	170
Oversikt	171
Konstruksjon og funksjon.....	171
Hoveddeler.....	171
Etiketter.....	171
Montering	172
Slanger og koplingsstykker.....	172
Koble til en vannutskiller.....	172
Stempel.....	172
Drift	173
Start og stopp.....	173
Bruk.....	173
Når man tar en pause.....	174
Vedlikehold	174
Hver dag.....	174
Periodisk vedlikehold.....	174
Monteringsinstruksjoner.....	174
Feilsøking	175
Lagring	175
Avhending	175
Tekniske data	176
Maskindata.....	176
Støy- og vibrasjonsdeklarasjoner.....	176
Støy- og vibrasjonsdata.....	176
EU Samsvarserklæring	177
EU Samsvarserklæring (EU-direktiv 2006/42/EF).....	177

Introduksjon

Takk for at du har valgt et Chicago Pneumatic-produkt. I over hundre år har Chicago Pneumatic blitt forbundet med ytelse og nyskapning innen den pneumatiske verktøy-industrien.

I dag tilbyr firmaet en rekke pneumatiske og hydrauliske verktøy som meiselmaskiner, bergboremaskiner, meiselhammere, leirjordgravere, hakker og knusere, scabblers, pumper og mye mer.

Chicago Pneumatic-merket assosieres med kraftige og pålitelige produkter som er enkle å vedlikeholde og som gir god valuta for pengene.

For mer informasjon, gå til: www.cp.com

Atlas Copco Construction Tools AB
105 23 Stockholm
Sverige

Om Sikkerhetsinstrukser og bruksanvisning

Formålet med instruksene er å gi deg kunnskap om hvordan du bruker den pneumatiske freseren på en effektiv, sikker måte. Instruksene gir deg også råd og viser deg hvordan du utfører vedlikehold på den pneumatiske freseren.

Før du begynner å bruke den pneumatiske freseren første gang, må du lese disse instruksene nøye og forstå alle sammen.

Sikkerhetsinstrukser

For å redusere faren for alvorlige skader eller død for deg selv eller andre, må du lese og forstå disse sikkerhetsinstrukser og bruksanvisninger før du installerer, bruker, reparerer eller vedlikeholder maskinen, eller skifter deler på den.

Heng opp disse sikkerhetsinstrukser og bruksanvisninger på arbeidsplassen, gi de ansatte kopier av dem og forsikre deg om at alle leser dem før de betjener eller utfører service på maskinen.

I tillegg må operatøren eller operatørens arbeidsgiver vurdere spesifikke risikoer som kan være til stedet ved bruk av maskinen.

Signalord

Signalordene Fare, Advarsel og Forsiktig har følgende betydning:

FARE	Viser til en farlig situasjon som vil føre til alvorlig skade eller død dersom den ikke unngås.
ADVARSEL	Viser til en farlig situasjon som kan føre til alvorlig skade eller død dersom den ikke unngås.
FORSIKTIG	Viser til en farlig situasjon som kan føre til mindre eller moderate skader dersom den ikke unngås.

Personlige forholdsregler og kvalifikasjoner

Vedlikehold eller bruk av maskinen må kun gjøres av kvalifiserte og opplærte personer. De må være i fysisk stand til å håndtere størrelsen, vekten og kraften til verktøyet. Bruk alltid sunn fornuft og god vurderingsevne.

Personlig verneutstyr

Bruk alltid godkjent verneutstyr. Operatører og alle andre personer i arbeidsområdet skal bruke verneutstyr, bestående av minimum:

- > Beskyttelseshjelm
- > Hørselsvern
- > Slagbestandige vernebriller med sidebeskyttelse
- > Åndedrettsvern når det er nødvendig
- > Vernehansker
- > Skikkelig vernestøvler

- > Egnede arbeidsoverall eller tilsvarende bekledning (ikke løstsittende) som dekker armene og beina.

Narkotika, alkohol eller legemidler

▲ **ADVARSEL** Narkotika, alkohol eller legemidler

Narkotika, alkohol og legemidler svekker dømmekraften og konsentrasjonsevnen. Dårlig reaksjonsevne eller feilaktige vurderinger kan føre til alvorlige ulykker, også med døden til følge.

- ▶ Bruk aldri maskinen når du er trøtt eller påvirket av narkotika, alkohol eller legemidler.
- ▶ Ingen personer som påvirket av narkotika, alkohol eller legemidler skal bruke maskinen.

Installasjon, forholdsregler

▲ **FARE** Piskende luftslange

En trykkluftslange som løsner kan slå omkring seg med stor kraft, og forårsake personskade eller død. For å redusere denne risikoen:

- ▶ Sjekk at trykkluftslangene og koblingene ikke er skadet, og skift dem ut om nødvendig.
- ▶ Sjekk at alle trykklufttilkoblingene er skikkelig festet.
- ▶ Bær aldri en pneumatisk maskin ved å holde i luftslangen.
- ▶ Forsøk aldri å kople fra en trykkluftslange som står under trykk. Slå av lufttrykket på luftkompressoren og tøm maskinen for luft ved å sette i gang start og stopp knappen.
- ▶ Rett aldri en trykkluftslange mot deg selv eller andre. Bruk aldri trykkluft til å blåse f.eks. støv, skitt osv. av klærne, da det kan medføre fare for å bli skadet.
- ▶ Ikke bruk hurtigkoplinger der innsetningsverktøyet koples til. Bruk gjengede slangearmaturer av herdet stål (eller materialer med tilsvarende støtsikkerhet).
- ▶ Når universale dreibare slangekoplinger (klokkoplinger) brukes, anbefaler vi at låsestifter installeres og at sikkerhetswire brukes for å beskytte mot mulige feilkoplinger mellom slange og verktøy eller mellom slange og slange.

Drift, forholdsregler

▲ FARE Eksplosjonsfare

Dersom et stempel kommer i kontakt med eksplosive gasser, kan en eksplosjon forekomme. Når du jobber med visse materialer og når visse materialer brukes i maskindeler, kan det oppstå gnister og antenner. Eksplosjoner kan føre til alvorlige skader, også med døden til følge.

- ▶ Bruk aldri maskinen i eksplosive omgivelser.
- ▶ Bruk aldri maskinen i nærheten av brannfarlige materialer, gasser eller støv.
- ▶ Forsikre deg om at det ikke er noen uoppdagete gasskilder eller eksplosiver.

▲ ADVARSEL Uforutsette bevegelser

Stempelet er utsatt for store belastninger når maskinen brukes. Stempelet kan brette på grunn av materialtretthet etter en viss brukstid. Dersom stempelet brette eller setter seg fast, kan det oppstå plutselige uforutsette bevegelser som kan forårsake skader. Dessuten, hvis du mister balansen eller glir, kan dette forårsake skader.

- ▶ Sørg for at du alltid inntar en stødig stilling og hold kroppstynghden i balanse.
- ▶ Inspiser alltid utstyret før du bruker det. Bruk aldri utstyr du mistenker for å være skadet.
- ▶ Sørg for at håndtakene er fri for fett og olje.
- ▶ Hold hender og føtter unna stempelet.
- ▶ Hold alltid fast i maskinen med begge hender.
- ▶ Utstyret skal ikke utsettes for slag eller spark.
- ▶ Kontroller stempelet jevnlig for slitasje, og kontroller om det har tegn på skade eller synlige sprekker.
- ▶ Vær oppmerksom og se på hva du gjør.

▲ ADVARSEL Støv- og røykfarer

Støv og/eller røyk som oppstår når maskinen brukes kan forårsake alvorlige og permanente pustevansker, sykdommer eller annen skader på kroppen (for eksempel silikose eller andre uheldredelige lungesykdommer som kan være dødelige, kreft, fosterskader og/eller irritert hud).

Enkelte støv- og røyktyper som oppstår ved boring, knusing, pigging, saging, sliping og andre anleggsaktiviteter inneholder stoffer som anses av staten California og av andre autoriteter til å forårsake pustevansker, kreft, fosterskader og andre reproduksjonsskader). Noen eksempler på slike kjemikalier er:

- > Krystallinsk silika, sement og andre murprodukter.
- > Arsenikk og krom fra kjemisk behandlet gummi.
- > Bly fra blybasert maling.

Støv og røyk i luften kan være usynlig for det bare øyet, så du kan ikke stole på hva du ser for å bedømme om det er støv eller røyk i luften.

For å redusere risikoen for å bli utsatt for røyk og støv, må du gjøre følgende:

- ▶ Utfør risikoanalyse spesifikk for arbeidsplassen. Risikoanalysen må inkludere støv og røyk som oppstår ved bruk av maskinen og potensialet for å virvle opp eksisterende støv.
- ▶ Foreta egnede tekniske tiltak for å redusere mengden støv og røyk i luften og opphopning av støv på utstyr, overflater, klær og kroppsdeler. Eksempler på slike tiltak kan være: avgassventilasjon og støvsamlingssystemer, overrislingsventiler og våtboring. Kontroller støv og røykutvikling ved kilden hvor det er mulig. Sørg for at tiltakene og utstyret installeres, vedlikeholdes og brukes på riktig måte.
- ▶ Bruk og vedlikehold på riktig måte vernemaske, som instruert av din arbeidsgiver eller som påkrevd av helse-, miljø- og sikkerhetsforskrifter. Vernemasken må være effektiv mot den type stoffer du utsettes for (og må eventuelt være godkjent av relevant autoritet).
- ▶ Jobb i godt ventilerte områder.
- ▶ Hvis maskinen har et utblåsningsrør, må det rettes på en måte som reduserer oppvirvling av støv i støvete miljøer.
- ▶ Betjen og vedlikehold maskinen som anbefalt i disse sikkerhetsinstruksjoner og bruksanvisninger.

- ▶ Velg, vedlikehold og skift innsetningsverktøyet eller andre utskiftbare deler som anbefalt i disse instruksjonene. Hvis innsetningsverktøyet eller andre utskiftbare deler ikke velges eller vedlikeholdes riktig, kan det forårsake unødvendig økning av støv og røyk.
- ▶ Bruk vaskbare eller deponerbare verneklær på arbeidsområdet. Dusj eller bytt til rene klær før du forlater arbeidsområdet for å redusere eksponering av støv og røyk for deg selv, andre personer, biler, hjem eller andre områder.
- ▶ Unngå å spise, drikke eller bruke tobakkprodukter i områder hvor det er støv eller røyk.
- ▶ Vask hender og ansikt grundig så snart du forlater eksponeringsområdet, og alltid før du spiser, drikker eller bruker tobakkprodukter, eller berører andre personer.
- ▶ Overhold alle gjeldende lover og regler, også innen helse, miljø og sikkerhet.
- ▶ Delta i åndedrettskontroller, medisinske eksaminasjoner, og opplæringsprogrammer som din arbeidsgiver eller fagforening tilbyr deg og som er i henhold til forskrifter og anbefalinger innen helse, miljø og sikkerhet. Kontakt lege med erfaring fra relevant yrkesmedisin.
- ▶ Samarbeid med din arbeidsgiver og din fagforening for å redusere utsettelsen for røyk og støv på arbeidsplassen og for å redusere risikoen. Effektive helse- og sikkerhetsprogrammer, policyer og prosedyrer for å beskytte arbeidere og andre personer mot skadelig utsettelse for støv og røyk må fastsettes og innføres basert på råd fra eksperter innen helse, miljø og sikkerhet. Ta kontakt med eksperter.

▲ ADVARSEL Prosjektiler

Feil på arbeidsmaterialet, tilbehør eller på selve maskinen kan skape prosjektiler med svært høye hastigheter. Under driften kan splinter eller andre partikler fra arbeidsmaterialet opptre som prosjektiler og forårsake personskade ved å treffe operatøren eller andre personer. For å redusere disse risikoene:

- ▶ Bruk godkjent personlig verneutstyr og vernehjelm, inkludert støtmotstandige vernebriller med sidebeskyttelse.
- ▶ Sørg for at ingen uautoriserte personer kommer inn i arbeidsområdet.
- ▶ Hold arbeidsplassen fri for fremmede objekter.
- ▶ Forsikre deg om at arbeidsmaterialet er forsvarlig festet.

▲ ADVARSEL Farer ved å skli, snuble og falle

Det finnes en risiko for å skli, snuble og falle, for eksempel for å snuble i maskinens slange eller i andre gjenstander. Hvis du sklir, snubler eller faller, kan det forårsake skader. For å redusere denne risikoen:

- ▶ Forsikre deg alltid om at det ikke er noen slanger eller andre gjenstander i veien for deg eller andre personer.
- ▶ Sørg for at du alltid inntar en stødig stilling og hold kroppstyngden i balanse.

▲ ADVARSEL Farer vedrørende bevegelse

Når du bruker maskinen til å utføre arbeid, kan du oppleve ubehag i hendene, armene, skuldrene, nakken eller i andre kroppsdeler.

- ▶ Innta en komfortabel stilling samtidig som du står stødig og unngår å miste balansen.
- ▶ Hvis du bruker maskinen lenge, kan det hjelpe å bytte stilling for å unngå ubehag og tretthet.
- ▶ Hvis symptomene vedvarer eller stadig kommer tilbake, bør du ta kontakt med kvalifisert helsepersonell.

▲ ADVARSEL Vibrasjonsfare

Vanlig og korrekt bruk av maskinen utsetter operatøren for vibrasjon. Regelmessig og hyppig eksponering av vibrasjon kan forårsake, bidra til eller forverre skader eller forstyrre operatørens fingre, hender, håndledd, armer, skuldre og/eller nerver og blodforsyning eller andre kroppsdeler, inkludert svekkelse og/eller permanente skader eller forstyrrelser som kan utvikles gradvis over uker, måneder eller år. Slike skader eller forstyrrelser kan omfatte skader på blodsirkulasjonssystemet, skader på nervesystemet, skader på ledd og mulig skader på andre organer.

Dersom nummenhet, vedvarende ubehag, brennende følelse, stivhet, banking, prikking, smerte, kløenhet, svekket grep, blekhet eller andre symptomer skulle opptre på noe tidspunkt mens maskinen betjenes eller mens den ikke betjenes, må man ikke fortsette å betjene maskinen, men søke medisinsk hjelp. Hvis du fortsetter å bruke maskinen etter at du oppdager slike symptomer, kan det øke risikoen for at symptomene øker eller blir permanente.

Betjene og vedlikeholde maskinen som anbefalt i disse instruksjonene for å unngå unødvendig økning av vibrasjon.

Følgende tiltak kan redusere eksponeringen av vibrasjon til operatøren:

- ▶ La verktøyet gjøre jobben. Bruk det minimale håndgrepet som trengs for å holde kontroll over maskinen og sørge for trygg drift.
- ▶ Når støtmekanismen aktiveres, skal din eneste kroppskontakt med maskinen være gjennom hendene som du holder på håndtaket eller håndtakene med. Unngå annen kontakt, f.eks. støtte andre deler av kroppen mot maskinen eller lene deg mot maskinen for å øke trykkraften. Det er også viktig at start- og stoppmekanismene ikke er aktivert når verktøyet trekkes opp fra arbeidsoverflaten.
- ▶ Hvis du bruker et stempel som er utslitt, vil det føre til at det tar lengre tid å utføre et arbeid og kan føre til høyere vibrasjonsnivåer. Forsikre deg om at stempelet er godt vedlikeholdt og ikke er slitt. Det er også viktig at du bruker et skarpt stempel for å kunne jobbe effektivt.
- ▶ Stopp arbeidet umiddelbart dersom maskinen brått tar til å vibrere sterkt. Finn og bli kvitt årsaken til den økte vibrasjonen før arbeidet gjenopptas.
- ▶ Ikke grip tak i, hold eller berør stempelet mens maskinen er i bruk.

- ▶ Delta i helseundersøkelser eller helseovervåking, medisinske undersøkelser og treningsprogrammer som tilbys av arbeidsgiveren og når de er lovpålagte.
- ▶ Bruk varme klær og hold hendene varme og tørre når du jobber i kaldt vær.

Se maskinens „Støy- og vibrasjonsdeklarasjoner”, inkludert de oppgitte vibrasjonsverdiene. Denne informasjonen finnes på slutten av denne håndboken „Sikkerhetsinstrukser og bruksanvisning”.

- ◆ Følg anbefalt lufttryknivå når du bruker maskinen. For høyt eller lavt lufttrykk kan føre til økt vibrasjon.

▲ FARE Strømfare

Denne maskinen er ikke strøminsolert. Hvis maskinen kommer i kontakt med elektrisitet, kan det resultere i alvorlig skade eller død.

- ▶ Maskinen må aldri brukes i nærheten av strømledninger eller andre strømkilder.
- ▶ Sørg for at det ikke skjuler seg strømledninger eller andre strømkilder i arbeidsområdet.

▲ ADVARSEL Fare ved skjulte objekter

Skjulte kabler og rør utgjør en fare som kan føre til alvorlige skader under arbeidet.

- ▶ Kontroller materialets sammensetning før bruk.
- ▶ Se opp for skjulte kabler og rør som elektrisitet, telefon, vann, gass og kloakkrør, o.l.
- ▶ Dersom det virker som om stempelet har truffet et skjult objekt, skru av maskinen umiddelbart.
- ▶ Forsikre deg om at det ikke er noen fare før du fortsetter.

▲ ADVARSEL Utilsiktet start

Utilsiktet start av maskinen kan forårsake skade.

- ▶ Hold hendene unna start- og stoppknappene til du er klar til å begynne arbeidet.
- ▶ Lær om hvordan maskinen slås av i tilfelle det skulle oppstå en nødssituasjon.
- ▶ Frigjør startknappen og stopp enheten umiddelbart hvis det oppstår forstyrrelser på lufttilførselen.
- ▶ Før du foretar service på maskinen, må du slå av lufttilførselen og tappe ut luften fra maskinen ved å trykke ned start- og stoppavtrekkeren og kople fra strømtilførselen.

▲ ADVARSEL Støyfare

Høye støynivåer kan føre til permanent hørselsskade og tap av hørsel, samt andre problemer som tinnitus (øresus). For å redusere risikoen og forhindre unødvendig økning av støynivå, må du:

- ▶ Foreta en risikovurdering av alle disse farene og implementere passende kontroller.
- ▶ Betjene og vedlikeholde maskinen som anbefalt i disse instruksjonene.
- ▶ Velg, vedlikehold og skift innsettingsverktøyet som anbefalt i disse instruksjonene.
- ▶ Kontroller at lyddemperen er på plass og i god tilstand, hvis maskinen har en lyddemper.
- ▶ Bruk alltid hørselsvern.
- ▶ Bruk dempende materialer for å forhindre at arbeidsmaterialet lager „ringelyder“.

Vedlikehold, forholdsregler**▲ ADVARSEL Maskinmodifisering**

Alle maskinmodifikasjoner kan resultere i kroppslige skader for deg selv eller andre.

- ▶ Foreta aldri modifiseringer av maskinen. Modifiserte maskiner dekkes ikke av garantien eller produktansvaret.
- ▶ Bruk alltid originale deler, innsettingsverktøy og tilbehør.
- ▶ Bytt ut skadede deler umiddelbart.
- ▶ Skift ut slitte komponenter i god tid.

▲ FORSIKTIG Varmt stempel

Tuppen på stempelet kan bli varmt og skarpt når det brukes. Berøring kan føre til brannsår eller kuttskader.

- ▶ Et varmt eller skarpt stempel må ikke berøres.
- ▶ Vent til stempelet er avkjølt før du utfører vedlikeholdsarbeid.

Lagring, forholdsregler

- ◆ Oppbevar maskinen og verktøyene på et sikkert og låsbart sted, utilgjengelig for barn.

Oversikt

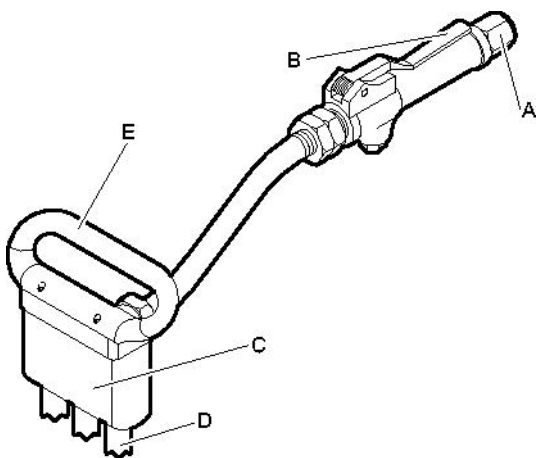
Før å redusere faren for alvorlig skade eller død for deg selv og andre, les avsnittet Sikkerhetsinstruksjoner på de foregående sidene av denne håndboken før du tar maskinen i bruk.

Konstruksjon og funksjon

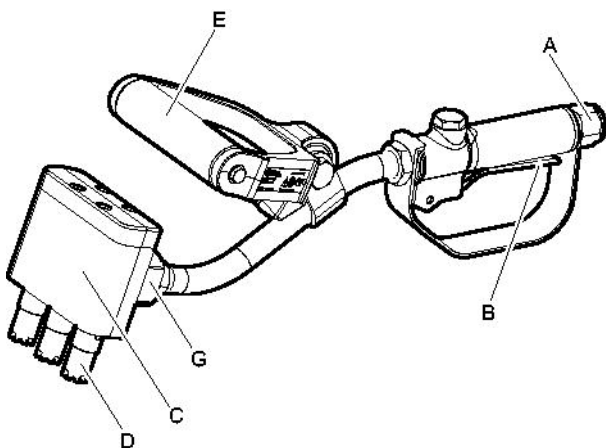
CP 0006, CP 0006 SVR og CP 0066 er maskiner konstruert for skrapping, fjerning av og grovarbeid i betong. De kan også brukes til å fjerne rust fra ståloverflater. Maskinen kan brukes både horisontalt og vertikalt. Annen bruk er ikke tillatt.

Se delelisten for å velge riktig stempel.

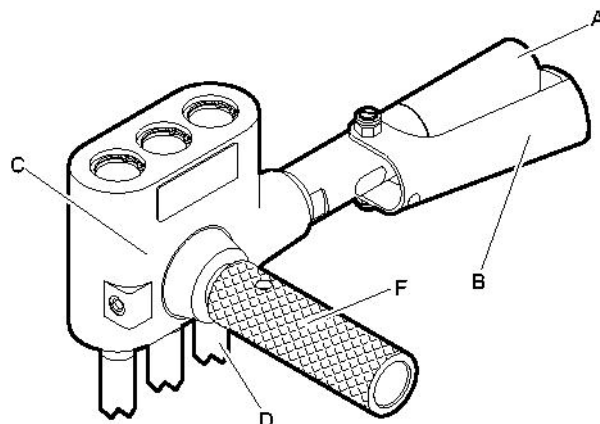
Hoveddeler



CP 0006



CP 0006 SVR



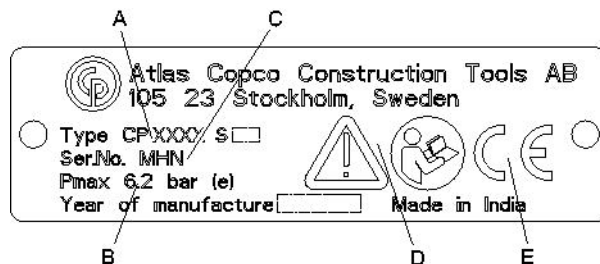
CP 0066

- A. Luftinntak
- B. Start og stopp-anordning
- C. Sylinder
- D. Stempel
- E. Fremre håndtak
- F. Sidehåndtak
- G. Svingledd

Etiketter

Maskinen er utstyrt med merker som inneholder viktig informasjon om personlig sikkerhet og vedlikehold av maskinen. Disse merkene skal være i en tilstand som gjør det enkelt å lese dem. Nye merker kan bestilles fra reservedellisten.

Typeskilt



- A. Maskintype
- B. Maksimalt tillatt lufttrykk
- C. Serienummer

- D. Varseltrekanten sammen med boksymbolet betyr at brukeren må lese sikkerhets- og bruksinstruksjonene før maskinen brukes for første gang.
- E. CE-symbolet betyr at maskinen er CE-godkjent. Se CE-erklæringen som er medsendt maskinen for ytterligere informasjon. Hvis CE-symbolet mangler, betyr det at maskinen ikke er CE-godkjent.

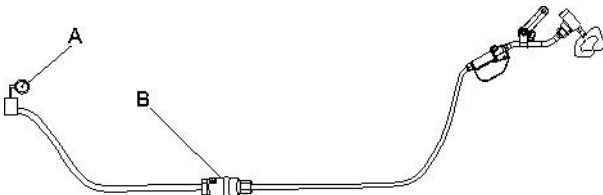
Sikkerhetsskilt



Før du begynner å bruke eller utføre service på maskinen, må du lese og forstå sikkerhetsinstruksjoner levert separat for å unngå at det oppstår skade.

Montering

Slanger og koplingsstykker



- A. Trykkluftskilde
- B. Vannseparator (ekstrautstyr)
- ◆ Kontroller at du bruker anbefalt driftstrykk, 87 psig (6 bar (e)).
- ◆ Du må ikke bruke høyere trykk enn det maksimalt tillatte driftstrykket, 90 psig (6,2 bar (e)).
- ◆ Blås ut smuss av trykkluftsslangen før du kopler den til maskinen.

- ◆ Velg riktig diameter og lengde på trykkluftsslangen. For slangelengder på opp til 100 feet (30 meter), skal en slange med en minimum innvendig diameter på $\frac{3}{4}$ " (19 mm) brukes. Hvis slagelengden er mellom 100 og 330 feet (30 og 100 meter), skal en slange med en minimum innvendig diameter på 1" (25 mm) brukes.
- ◆ Ikke smør stempelet. Det kan føre til at maskinen stopper når du ikke ønsker det.
- ◆ For å forenkle driften av maskinen, kan du bruke en gummislange med en indre diameter på $\frac{3}{8}$ " (9,5 mm) og lengde på 10 feet (3 m) nærmest maskinen.

Koble til en vannutskiller

Lengden på slangen mellom kompressoren og vannutskilleren må være nok til at vanddampen er avkjølet og kondensert i slangen før den når vannutskilleren.

Dersom omgivelsestemperaturen er under 32 °F (0 °C) må slangen være kort nok til å forhindre at vannet fryser før det når vannutskilleren.

Stempel

▲ FORSIKTIG Varmt stempel

Tuppen på stempelet kan bli varmt og skarpt når det brukes. Berøring kan føre til brannskår eller kuttskader.

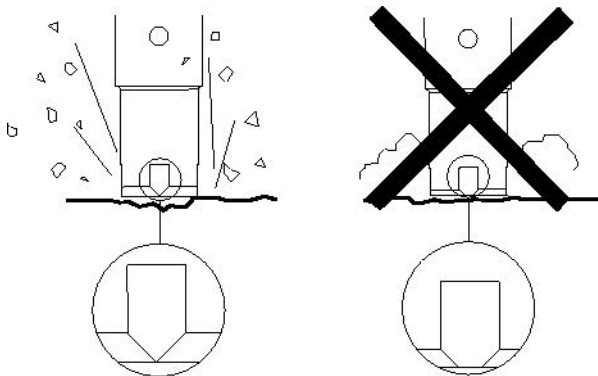
- ▶ Et varmt eller skarpt stempel må ikke berøres.
- ▶ Vent til stempelet er avkjølt før du utfører vedlikeholdsarbeid.

LES DETTE Kjøøl aldri ned et varmt stempel i vann. Det kan resultere i sprøhet og at skader oppstår tidlig.

▲ ADVARSEL Vibrasjonsfare

Hvis du bruker et stempel som er utslitt, vil det føre til at det tar lengre tid å utføre et arbeid og kan føre til høyere vibrasjonsnivåer.

- ▶ Forsikre deg om at stempelet er godt vedlikeholdt og ikke er slitt.
- ▶ Bruk alltid et skarpt stempel for å jobbe effektivt.



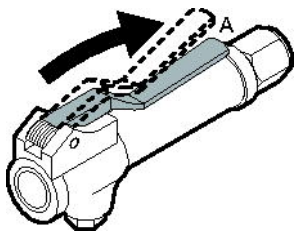
Drift

▲ ADVARSEL Utilsiktet start

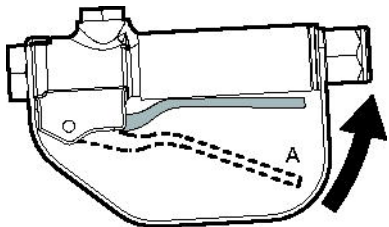
Utilsiktet start av maskinen kan forårsake skade.

- ▶ Hold hendene unna start- og stoppknappene til du er klar til å begynne arbeidet.
- ▶ Lær om hvordan maskinen slås av i tilfelle det skulle oppstå en nødssituasjon.
- ▶ Stopp alltid maskinen umiddelbart hvis strømtilførselen avbrytes.

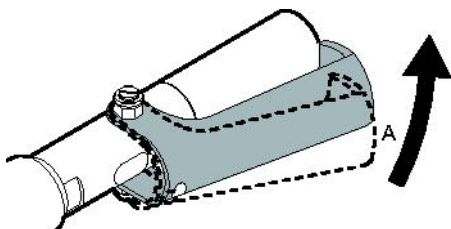
Start og stopp



CP 0006

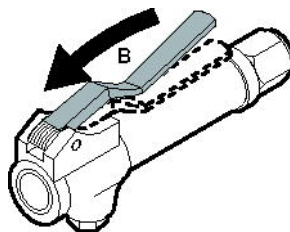


CP 0006 SVR

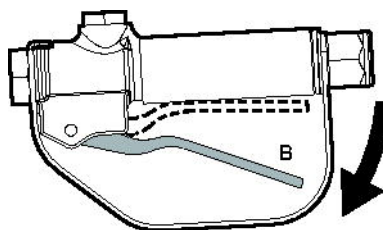


CP 0066

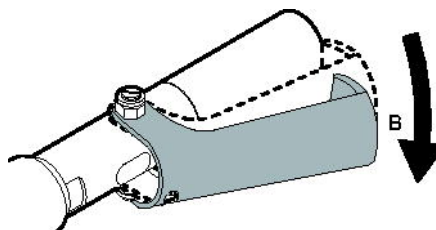
- ◆ Start maskinen ved å trykke på avtrekkeren (A) mens du holder et godt tak i håndtaket.



CP 0006



CP 0006 SVR



CP 0066

- ◆ Stopp maskinen ved å løse ut avtrekkeren (B). Avtrekkeren går automatisk tilbake til stopposisjon.

Bruk

Starte et kutt

- ◆ Innta en stødig stilling og hold godt fast i freseren med begge hender.
- ◆ Press freseren lett mot arbeidsflaten før du starter.

Drift

- ◆ La maskinen gjøre arbeidet; ikke trykk for hardt.
- ◆ Unngå enhver form for tomgangskjøring og bruk med løftet maskin.
- ◆ Når maskinen er løftet, må ikke start- og stoppanordningen aktiveres.

- ◆ Kontroller at trykkluften er ren, tørr og fri for smøring.

Når man tar en pause

- ◆ Under alle pauser må maskinen settes unna slik at det ikke er noen risiko for utilsiktet start. Forsikre deg om at maskinen er lagt på bakken, slik at den ikke kan falle.
- ◆ Ved lange pauser eller når man forlater arbeidsplassen: Slå av strømtilførselen og tøm maskinen for luft ved å sette i gang start- og stopp-knappen.

Vedlikehold

Jevnlig vedlikehold er en grunnforutsetning for fortsatt sikker og effektiv bruk av maskinen. Følg vedlikeholdsinstruksjonene nøye.

- ◆ Rengjør maskinen før du starter vedlikeholdet på den for å unngå å bli utsatt for skadelige stoffer. Se „Støv- og røykfarer”
- ◆ Bruk bare autoriserte deler. Skade eller feilfunksjon som skyldes bruk av uautoriserte deler blir ikke dekket av garantien eller produktansvaret.
- ◆ Når mekaniske deler rengjøres med løsemidler, må gjeldende helse- og sikkerhetsforskrifter følges, og man må sørge for tilstrekkelig ventilasjon.
- ◆ For større vedlikehold av maskinen, kontakt ditt nærmeste autoriserte verksted.
- ◆ Kontroller at maskinens vibrasjonsnivå er normalt etter hver service. Hvis ikke, må du kontakte nærmeste autoriserte verksted.

Hver dag

Før du foretar noe vedlikehold eller skifte av stempel på freseren, må du alltid slå av lufttilførselen og tappe ut luften fra maskinen ved å trykke ned start og stoppavtrekkeren. Koble deretter luftslangen fra maskinen.

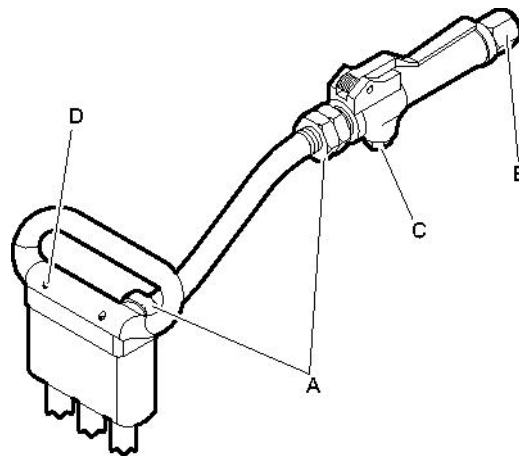
- ◆ Rengjør og undersøk maskinen og funksjonene dens hver dag før du begynner å jobbe med den.
- ◆ Utfør en generell inspeksjon for lekkasje og skade.
- ◆ Sjekk at luftinntaknippelen er strammet til, og at kløkplingen ikke er skadet.

- ◆ Hvis maskinen har vibrasjonsdempende håndtak, må du kontrollere at det beveger seg fritt (opp og ned) og at det ikke setter seg fast.
- ◆ Sjekk at svingleddet beveger seg fritt og ikke blir blokkert.
- ◆ Sjekk tilstanden til gummibøssingen.
- ◆ Bytt ut skadede deler umiddelbart.
- ◆ Skift ut slitte komponenter i god tid.
- ◆ Sørg for at alt montert og relatert utstyr, som slanger og vannseparatorer blir ordentlig vedlikeholdt.

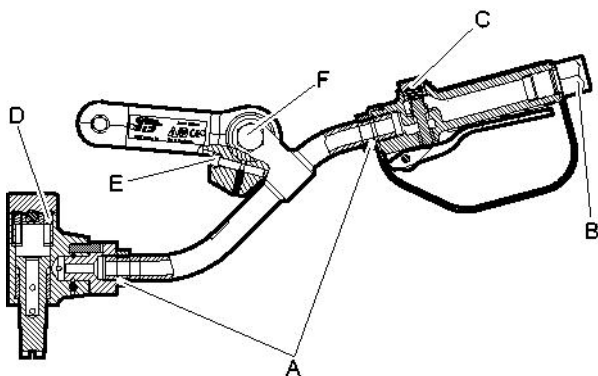
Periodisk vedlikehold

Etter en driftsperiode på ca 100 slagtimer eller tre ganger i året, må maskinen demonteres og alle deler renses og sjekkes. Dette arbeidet må utføres av autorisert personell som er opplært til denne oppgaven.

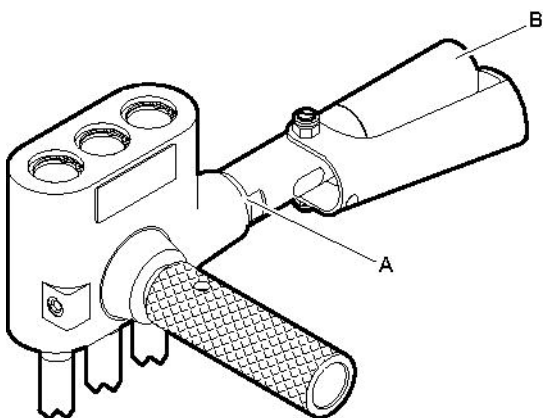
Monteringsinstruksjoner



CP 0006



CP 0006 SVR



CP 0066

- A. Kraftmoment: 35-40 lbf.ft (47-54 Nm), bruk Loctite® 542™. (Loctite er et registrert varemerke for Henkel Corporation. 542 er et varemerke for Henkel Corporation.)
- B. Kraftmoment: 50-60 lbf.ft (68-81 Nm), bruk Loctite® 542™.
- C. Kraftmoment: 60-70 lbf.ft (81-95 Nm), bruk Loctite® 542™.
- D. Kraftmoment: 15-16 lbf.ft (20-22 Nm), bruk Loctite® 242™. (Loctite er et registrert varemerke for Henkel Corporation. 242 er et varemerke for Henkel Corporation.)
- E. Kraftmoment: 13 lbf.ft (17 Nm).
- F. Kraftmoment: 44-52 lbf.ft (60-70 Nm)

Feilsøking

Hvis freseren ikke starter, har liten kraft eller ujevn ytelse, sjekk følgende punkter.

- ◆ Kontroller at stampelet og sylindren er rene og tørre.
- ◆ Sjekk at trykkluftsystemet leverer tilstrekkelig trykkluft til maskinen for å sørge for full kraft.
- ◆ Sjekk at dimensjonene og lengden av luftslangen er i henhold til anbefalingene. Se „Installasjon“.
- ◆ Hvis det er fare for frost, sjekk at maskinens utblåsningsporter ikke er blokkert.

Hvis maskinfunksjonen fortsatt ikke er tilfredsstillende etter denne prosedyren, kontakt et autorisert serviceverksted.

Lagring

- > Rengjør maskinen før du setter den bort for å unngå å bli utsatt for skadelige stoffer. Se „Støv- og røykfarer“.
- > Lagre maskinen på et tørt sted.

Avhending

En utslitt maskin må behandles og avhendes på en slik måte at flest mulig deler av materialet kan resirkuleres og at negativ innvirkning på miljøet blir holdt så lavt som mulig og i henhold til lokale forskrifter.

Tekniske data

Maskindata

Type	Vekt lb (kg)	Lengde in. (mm)	Slagfrekvens Hz	Lufforbruk foot ³ /min (l/s)
CP 0006	10 (4,5)	16 ½ (411)	50	27 ½ (13)
CP 0006 SVR	15 (6,8)	20 (510)	51	27 ½ (13)
CP 0066	10 (4,5)	11 (280)	50	27 ½ (13)

Støy- og vibrasjonsdeklarasjoner

Garantert lydeffektsnivå **L_w** iht. ISO 3744 iht. direktiv 2000/14/EC.

Lydtryknivå **L_p** iht. ISO 11203.

Vibrasjonsverdi **A** og usikkerhet **B** bestemt i henhold til ISO 20643. Se tabellen „Støy og vibrasjonsdata” for verdiene A, B etc.

Disse verdiene er oppnådd ved laboratorietesting i henhold til de meddelte direktiver eller standarder og er hensiktsmessig for sammenligning med de erklærte verdiene av andre verktøy testet i samsvar med de samme direktivene eller standarder. Disse meddelte verdiene er ikke tilstrekkelige for bruk i risikotaksering og verdier målt på individuelle arbeidsplasser kan være høyere. De faktiske eksponeringsverdiene og risikoen for skade opplevd av en individuell bruker er unike og avhenger av arbeidsmåten, hvilket materiale maskinen brukes på, i tillegg til eksponeringstid og brukerens fysiske tilstand, og maskinens tilstand.

Vi, Atlas Copco Construction Tools AB, kan ikke holdes ansvarlige for konsekvenser oppstått ved bruk av deklarete verdier, i stedet for verdier som reflekterer den faktiske eksponeringen, i en individuell risikotaksering på en arbeidsplass har vi ikke kontroll over situasjonen over.

Dette verktøyet kan forårsake hånd-arm vibrasjonssyndrom hvis bruken ikke er tilstrekkelig godt utført. En EU-guide om hvordan man kan håndtere vibrasjoner i hånd og arm finner du her:

<http://www.humanvibration.com/EU/VIBGUIDE.htm>

Vi anbefaler et program på helsekontroll for å oppdage tidlige symptomer som kan relateres til vibrasjonseksponering, slik at ledelsesprosedyrene kan modifiseres for å hjelpe til med å forhindre svekkelser i framtiden.

Støy- og vibrasjonsdata

Type	Lyd		Vibrasjon	
	Oppgitte verdier		Oppgitte verdier	
	Lydtrykk	Lydeffekt	Tre akseverdier	
	ISO 11203	2000/14/EC	ISO 20643	
	L_p r=1m dB(A) rel 20µPa	L_w garantert dB(A) rel 1pW	A m/s ² verdi	B m/s ² spredning
CP 0006	92	N/A	23,1	2,8
CP 0006 SVR	92	N/A	7,1	1,2
CP 0066	-	N/A	12,8	1,8

EU Samsvarserklæring

EU Samsvarserklæring (EU-direktiv 2006/42/EF)

Vi, Atlas Copco Construction Tools AB, erklærer herved at maskinene listet opp under er i samsvar med bestemmelsene i EU-direktiv 2006/42/EF (Maskindirektiv), samt de harmoniserte standarderene som nevnes under.

Håndholdte pneumatiske freser	Pmaks (bar)
CP 0006	6.2
CP 0006 SVR	6.2
CP 0066	6.2

Følgende harmoniserte standarder er benyttet:

- ◆ ISO/FDIS 11148-4

Autorisert representant til teknisk dokumentasjon:

Erik Sigfridsson
Atlas Copco Construction Tools AB
Dragonvägen 2
Kalmar

General Manager:

Erik Sigfridsson

Fabrikant:

Atlas Copco Construction Tools AB
105 23 Stockholm
Sweden

Sted og dato:

Kalmar, 2010-01-01

SVENSKA

Innehåll

Inledning	179
Om säkerhetsinstruktionen och bruksanvisningen	179
Säkerhetsinstruktioner	180
Säkerhetssymboler.....	180
Personliga försiktighetsåtgärder och utbildning.....	180
Installation, försiktighetsåtgärder.....	180
Användning, försiktighetsåtgärder.....	181
Underhåll, försiktighetsåtgärder.....	184
Förvaring, försiktighetsåtgärder.....	184
Översikt	185
Konstruktion och funktion.....	185
Maskinens huvuddelar.....	185
Dekaler.....	185
Installation	186
Slangar och anslutningar.....	186
Ansluta en vattenavskiljare.....	186
Kolv.....	186
Drift	187
Start och stopp.....	187
Användning.....	187
När du tar rast.....	187
Underhåll	188
Dagligen.....	188
Regelbundet underhåll.....	188
Monteringsinstruktioner.....	188
Felsökning	189
Förvaring	189
Kassering	189
Teknisk specifikation	190
Maskindata.....	190
Buller- och vibrationsdeklaration.....	190
Buller- och vibrationsdata.....	190
EG-deklaration om överensstämmelse	191
EG-deklaration om överensstämmelse (EG-direktiv 2006/42/EG).....	191

Inledning

Tack för att du väljer produkter från Chicago Pneumatic. I över ett sekel har varumärket Chicago Pneumatic stått för prestanda och förnyelse inom industrin för tryckluftsverktyg.

I dag återfinns varumärket på ett brett sortiment av trycklufts- och hydrauliska verktyg, däribland hydraulhammare, bergbormaskiner, mejselhammare, lergrävare, rost- och svetshackor, fräsar, pumpar och mycket annat.

Chicago Pneumatics varumärke är förknippat med kraftfulla och pålitliga produkter som är enkla att underhålla och ger god valuta för pengarna.

För mer information gå in på: www.cp.com

Atlas Copco Construction Tools AB
105 23 Stockholm
Sverige

Om säkerhetsinstruktionen och bruksanvisningen

Syftet med instruktionerna är att ge dig kunskap om hur man använder den tryckluftsdrivna fräsen på ett effektivt och säkert sätt. Du får även råd och information om hur du ska utföra det regelbundna underhållet av den tryckluftsdrivna fräsen.

Innan du använder den tryckluftsdrivna fräsen för första gången måste du läsa igenom dessa instruktioner noggrant och vara säker på att du förstår dem helt och fullt.

Säkerhetsinstruktioner

För att minska risken för att du själv eller andra ska råka ut för allvarliga skador eller dödsfall bör du läsa och förstå denna Säkerhetsinstruktion och bruksanvisning innan du installerar, använder, reparerar, underhåller eller byter tillbehör på maskinen.

Sätt upp denna Säkerhetsinstruktion och bruksanvisning på arbetsplatsen, dela ut kopior till de anställda och se till att alla läser den innan de använder eller utför service på maskinen.

Dessutom ska användaren eller användarens arbetsgivare genomföra en bedömning av de specifika risker som kan förekomma varje gång maskinen är i drift.

Säkerhetssymboler

Signalorden Fara, Varning och Varsamhet har följande betydelser:

FARA	Indikerar en överhängande farlig situation som – om den inte undviks – kommer att leda till dödsfall eller allvarlig personskada.
VARNING	Indikerar en farlig situation som – om den inte undviks – kan leda till dödsfall eller allvarlig personskada.
VARSAMHET	Indikerar en farlig situation som – om den inte undviks – kan leda till lindrig eller måttlig personskada.

Personliga försiktighetsåtgärder och utbildning

Endast behörig och utbildad personal får använda maskinen eller utföra underhåll på den. Personalen måste orka hantera verktygets volym, vikt och kraft. Använd alltid sunt förnuft och gott omdöme.

Personlig skyddsutrustning

Använd alltid godkänd skyddsutrustning. Maskinanvändarna och alla andra personer som vistas inom arbetsområdet måste bära minst följande skyddsutrustning:

- > Skyddshjälm
- > Hörselskydd
- > Slagtåliga skyddsglasögon med sidoskydd

- > Andningskydd, vid behov
- > Skyddshandskar
- > Lämpliga skyddsskor
- > Lämplig arbetsoverall eller liknande kläder (inte löst sittande plagg) som täcker armar och ben.

Droger, alkohol eller läkemedel

▲ **VARNING** Droger, alkohol eller läkemedel

Droger, alkohol och läkemedel kan påverka ditt omdöme och koncentrationsförmåga. Dålig reaktionsförmåga och felbedömningar kan leda till allvarliga olyckor eller dödsfall.

- ▶ Använd inte maskinen när du är trött eller påverkad av alkohol, droger eller läkemedel.
- ▶ Personer som är påverkad av alkohol, droger eller läkemedel får inte använda maskinen.

Installation, försiktighetsåtgärder

▲ **FARA** Kastande luftslang

En tryckluftssläng som lossnar kan kastas runt och leda till personskadorna eller dödsfall. För att minska risken för detta:

- ▶ Kontrollera att tryckluftsslängen och anslutningarna inte är skadade, byt ut vid behov.
- ▶ Kontrollera att alla tryckluftsanslutningar är riktigt anslutna.
- ▶ Bär aldrig en tryckluftsmaskin i luftslängen.
- ▶ Försök aldrig koppla isär en tryckluftssläng som är trycksatt. Stäng först av tryckluftsförsörjningen på kompressorn och avlufta sedan maskinen genom att aktivera start- och stoppanordningen.
- ▶ Rikta aldrig en tryckluftssläng mot dig själv eller någon annan. För att undvika risken för personskadorna ska tryckluft inte användas för att blåsa bort till exempel damm, smuts och liknande från kläderna.
- ▶ Använd inte snabbkopplingar till verktygsfästet. Använd härdade slanganslutningar med stålgångor (eller material med motsvarande stöthållfasthet).
- ▶ Vid användning av universalvridkopplingar (klokkopplingar) rekommenderas montering av låssprintar samt användning av säkerhetsvagnar för att skydda vid eventuella fel på anslutningen mellan slang och verktyg eller mellan slangar.

Användning, försiktighetsåtgärder

▲ FARA Explosionsrisk

Om en kolv kommer i kontakt med sprängämnen kan en explosion inträffa. Vid arbete på vissa material och användning av vissa material i maskindelar kan gnistbildning eller antändning förekomma. Explosioner kan orsaka allvarliga personskador eller dödsfall.

- ▶ Använd aldrig maskinen i explosiva miljöer.
- ▶ Använd inte maskinen nära brännbara material, ångor eller damm.
- ▶ Kontrollera att det inte finns några okända gaskällor eller sprängämnen i närheten.

▲ VARNING Oförutsedda rörelser

Kolven utsätts för hög belastning när maskinen används. Kolven kan gå sönder på grund av materialutmattning efter en viss tids användning. Om kolven går sönder eller fastnar kan maskinen göra plötsliga eller våldsamma kast som kan orsaka personskador. Skador kan även uppstå om användaren tappar balansen eller halkar.

- ▶ Se till att alltid stå stabilt och med kroppen i balans.
- ▶ Kontrollera alltid utrustningen före användning. Använd inte utrustningen om du misstänker att den är skadad.
- ▶ Se till att handtagen är rena och fria från smörjfett och olja.
- ▶ Håll händerna och fötterna borta från kolven.
- ▶ Håll alltid maskinen med bägge händerna.
- ▶ Slå aldrig på eller på annat sätt missbruka utrustningen.
- ▶ Kontrollera regelbundet att kolven inte är sliten och att den inte visar några tecken på skador eller synliga sprickor.
- ▶ Var uppmärksam och fokuserad på arbetsuppgiften.

▲ VARNING Faror med damm och ångor

Damm och/eller ångor som uppstår eller sprids vid användning av maskinen kan orsaka allvarliga permanenta sjukdomar i andningsvägar, andra sjukdomar eller fysiska skador (till exempel silikos eller andra obotliga och potentiellt dödliga lungsjukdomar, cancer, fosterskador och/eller hudinflammationer).

Vissa typer av damm och ångor som uppstår vid borring, brytning, hamrande, sågning, slipning eller andra byggrelaterade aktiviteter innehåller substanser som enligt Staten Kalifornien och andra myndigheter kan orsaka sjukdomar i andningsvägar, cancer, fosterskador eller andra fortplantningsskador. Några exempel på sådana kemikalier är:

- > Kristallin kiseldioxid, cement och andra produkter för murning.
- > Arsenik och krom från kemiskt behandlat gummi.
- > Bly från blybaserade målarfärger.

Damm och ångor i luften kan vara osynliga för blotta ögat. Lita därför inte på att kunna avgöra om det finns damm eller ångor i luften med bara ögats hjälp.

Vidta samtliga följande åtgärder för att minska risken för exponering för damm och ångor:

- ▶ Gör en platspecifik riskbedömning. Riskbedömningen bör inkludera damm och ångor orsakade av användning av maskinen samt eventuella störningar från existerande damm.
- ▶ Använd lämpliga tekniska kontrollåtgärder för att minimera mängden damm och ångor i luften och minimera påbyggnad på utrustning, ytor, kläder och kroppsdelar. Exempel på kontrollåtgärder innefattar utsugsventilation och dammuppsamlare, vattenspray och våtbörning. Kontrollera om möjligt damm och ångor vid källan. Se till att tekniska åtgärder införs, upprätthålls och används på korrekt sätt.
- ▶ Se till att bära, underhålla och använda andningsskydd på korrekt sätt, i enlighet med arbetsgivarens instruktioner och gällande arbetsmiljöbestämmelser. Andningsskyddet måste ge ett effektivt skydd för det aktuella ämnet (och i förekommande fall vara godkänt av berörd myndighet).
- ▶ Arbeta i väl ventilerade utrymmen.
- ▶ Om maskinen är försedd med utblås bör detta riktas så att störningarna från damm i dammfyllda miljöer reduceras.
- ▶ Använd och underhåll maskinen i enlighet med rekommendationerna i säkerhetsinstruktioner och bruksanvisning.

- ▶ Välj, underhåll samt byt ut förbrukningsartiklar/insatsverktyg/övriga tillbehör enligt rekommendationerna in säkerhetsinstruktioner och bruksanvisning. Felaktigt val eller bristande underhåll på förbrukningsvaror/insatsverktyg/övriga tillbehör kan leda till en onödig ökning av mängden damm eller ångor.
- ▶ Använd tvättbara skyddskläder eller skyddskläder för engångsbruk på arbetsplatsen. Duscha och byt om till rena kläder innan du lämnar arbetsplatsen för att minska exponering för damm och ångor för såväl dig själv som andra personer, i bilar, hem samt andra platser.
- ▶ Undvik att äta, dricka eller använda tobaksprodukter på platser med damm och ångor.
- ▶ Tvätta händer och ansikte så snart som möjligt när du lämnar exponeringsområdet och alltid innan du äter, dricker, använder tobaksprodukter eller har kontakt med andra människor.
- ▶ Följ alla tillämpliga lagar och bestämmelser, inklusive arbetsmiljöbestämmelser.
- ▶ Delta i övervakning av luftkvaliteten, medicinska undersökningar samt arbetsmiljöutbildningar som erbjuds av arbetsgivaren eller branschorganisationer i enlighet med arbetsmiljöbestämmelser och -rekommendationer. Rådgör med läkare med relevant kompetens i yrkesmedicin.
- ▶ Arbeta tillsammans med arbetsgivaren och branschorganisationen för att minska exponeringen för damm och ångor på arbetsplatsen och minska riskerna. För att skydda arbetstagare och andra mot skadlig exponering av damm och ångor bör effektiva arbetsmiljöprogram, riktlinjer och metoder tas fram och implementeras, baserade på råd från arbetsmiljöexperter. Rådgör med experter.

▲ VARNING Kringflygande föremål

Defekter i arbetsmaterialet, i tillbehör eller till och med i själva maskinen kan leda till att det finns risk för kringflygande föremål. Under användning kan flisor eller andra föremål från arbetsmaterialet flyga iväg och orsaka personskador genom att träffa maskinanvändaren eller andra personer. För att minska dessa risker:

- ▶ Använd godkänd personlig skyddsutrustning och skyddshjälm, inklusive slagtåliga skyddsglasögon med sidoskydd.
- ▶ Håll obehöriga personer på avstånd från arbetsområdet.
- ▶ Håll arbetsplatsen ren och fri från främmande föremål.
- ▶ Se till att arbetsmaterialet är ordentligt säkrat.

▲ VARNING Risk för halk-, snubbel- och fallolyckor

Det finns risk för halk-, snubbel- eller fallolyckor. Användaren kan till exempel snubbla över maskinens slang eller andra föremål. Halk- snubbel- och fallolyckor kan orsaka skador. För att minska risken för detta:

- ▶ Se alltid till att inga slangar eller andra föremål ligger i vägen för dig eller någon annan person.
- ▶ Se alltid till att stå stabilt och med kroppen i balans.

▲ VARNING Risker vid rörelser

När maskinen används för att utföra arbetsrelaterade aktiviteter kan det hända att du upplever obehag i händer, armar, axlar, nacke eller andra delar av kroppen.

- ▶ Stå i en bekväm ställning med fötterna säkert placerade. Undvik onormala ostadiga kroppsställningar.
- ▶ Byte av kroppsställning kan vara ett sätt att undvika obehag och trötthet under utdragna arbetsuppgifter.
- ▶ Rådgör med kvalificerad hälso- och sjukvårdspersonal vid ihållande eller återkommande symptom.

▲ VARNING Vibrationsfaror

Normal och korrekt användning av maskinen utsätter användaren för vibrationer. Regelbunden och frekvent exponering för vibrationer kan orsaka, bidra till eller förvärra skador eller problem i användarens fingrar, händer, handleder, armar, skuldror och/eller nerver och blodtillförsel eller andra kroppsdelar. Detta omfattar försvagningar och/eller permanenta skador eller problem som kan utvecklas gradvis under flera veckor, månader eller år. Sådana skador eller problem kan omfatta skador på blodomlopp, nervsystem och leder, men även på andra kroppsstrukturer.

Sök läkarhjälp och undvik att återuppta arbetet med maskinen om du vid eller efter användning av den drabbas av ihållande och återkommande obehag, brännande känslor, stelhet, bultande, domningar, stickningar, värk, försämrad finmotorik eller greppförmåga, eller om huden vitnar eller andra symptom uppstår. Fortsatt användning av maskinen när sådana symptom uppstår kan öka risken för att symptomen förvärras och/eller blir bestående.

Använd och underhåll maskinen enligt rekommendationerna i dessa instruktioner för att undvika onödiga vibrationsökningar.

Följande åtgärder kan bidra till att minska risken för att användaren utsätts för vibrationer:

- ▶ Låt maskinen göra jobbet. Håll inte hårdare i handtaget än vad som behövs för kontroll och säker drift.
- ▶ När slagmekanismen är aktiverad ska ingen annan del av kroppen komma i kontakt med maskinen förutom dina händer på handtaget/handtagen. Du bör till exempel inte stödja någon del av kroppen mot maskinen eller luta dig mot den för att försöka öka matningskraften. Det är dessutom viktigt att inte hålla inne start- och stoppanordningen när man drar ut insatsverktyget från arbetsytan.
- ▶ Användning av en utsliten kolv kommer att leda till att arbetet tar längre tid att utföra och kan medföra att användaren utsätts för ökade vibrationer. Se till att kolven är väl underhållen och inte sliten. Det är också viktigt att använda en vass kolv för att arbetet ska utföras effektivt.
- ▶ Avbryt arbetet omedelbart om maskinen plötsligt börjar vibrera våldsamt. Ta reda på orsaken till de ökade vibrationerna och åtgärda felet innan du återupptar arbetet.
- ▶ Du får inte ta tag i, hålla i eller vidröra kolven medan maskinen är igång.

- ▶ Delta i hälsokontroller, medicinska undersökningar och utbildningsprogram när arbetsgivaren erbjuder det eller när lagen kräver det.
- ▶ Bär varm klädsel och se till att hålla händerna varma och torra vid arbete under kalla förhållanden.

Se maskinens "Buller- och vibrationsdeklaration", inklusive de deklarerade vibrationsvärdena. Dessa avsnitt finns i slutet av denna säkerhetsinstruktion och bruksanvisning.

- ◆ Använd rekommenderat lufttryck vid användning av maskinen. Såväl högre som lägre lufttryck kan leda till ökade vibrationer.

▲ FARA Elektriska faror

Maskinen är inte elektriskt isolerad. Om maskinen kommer i kontakt med elektricitet kan allvarliga personskador eller dödsfall inträffa.

- ▶ Använd inte maskinen i närheten av elledningar eller andra elektriska källor.
- ▶ Säkerställ att det inte finns några dolda ledningar eller andra elektriska källor i arbetsområdet.

▲ VARNING Faror med dolda föremål

Under drift kan dolda ledningar och rör utgöra en fara som kan leda till allvarliga personskador.

- ▶ Kontrollera materialets sammansättning innan du påbörjar arbetet.
- ▶ Se upp för dolda ledningar och rör, till exempel el-, telefon-, vatten-, eller gasledningar, avloppsrör etc.
- ▶ Stäng omedelbart av maskinen om kolven verkar ha träffat ett dolt föremål.
- ▶ Påbörja inte arbetet igen förrän det är riskfritt att fortsätta.

▲ VARNING Oavsiktlig start

Oavsiktlig start av maskinen kan leda till personskador.

- ▶ Håll händerna borta från start- och stoppanordningen tills arbetet skall påbörjas.
- ▶ Lär dig hur man stänger av maskinen i händelse av nödfall.
- ▶ Släpp omedelbart start- och stoppanordningen vid avbrott i strömförsörjningen.
- ▶ Vid underhåll av maskinen, stäng av tryckluftsförsörjningen, lufta maskinen genom att trycka in start- och stoppanordningen samt koppla ifrån maskinen från strömkällan.

▲ VARNING Risker med buller

Höga ljudnivåer kan orsaka permanenta hörselskador och andra problem som tinnitus (ringande, surrande, visslande eller brummande ljud i öronen). För att minska risken och undvika onödigt förhöjda ljudnivåer:

- ▶ Gör en riskbedömning av dessa risker och inför lämpliga kontroller.
- ▶ Använd och underhåll maskinen i enlighet med rekommendationerna i denna instruktionsbok.
- ▶ Använd, underhåll och byt ut insatsverktyget i enlighet med rekommendationerna i denna instruktionsbok.
- ▶ Om maskinen är försedd med ljuddämpare, kontrollera att denna sitter på plats och är i gott skick.
- ▶ Använd alltid hörselskydd.
- ▶ Använd dämpande material för att förhindra att arbetsmaterialet avger ett "ringande" ljud.

**Underhåll,
försiktighetsåtgärder****▲ VARNING Maskinmodifieringar**

Eventuella modifieringar av maskinen kan leda till att du själv eller andra personer skadas.

- ▶ Modifiera inte maskinen. Modifierade maskiner omfattas inte av garantin eller tillverkarens produktansvar.
- ▶ Använd endast godkända reservdelar, insatsverktyg och tillbehör.
- ▶ Byt omedelbart ut skadade delar.
- ▶ Byt ut slitna delar i god tid.

▲ OBSERVERA Varm kolv

Spetsen på kolven kan vid användning bli varm och vass. Att vidröra spetsen kan leda till bränn- eller skärskador.

- ▶ Ta aldrig på en varm eller vass kolv.
- ▶ Vänta tills kolven har svalnat innan du utför underhåll.

**Förvaring,
försiktighetsåtgärder**

- ◆ Förvara maskiner och verktyg på en säker, låst plats utom räckhåll för barn.

Översikt

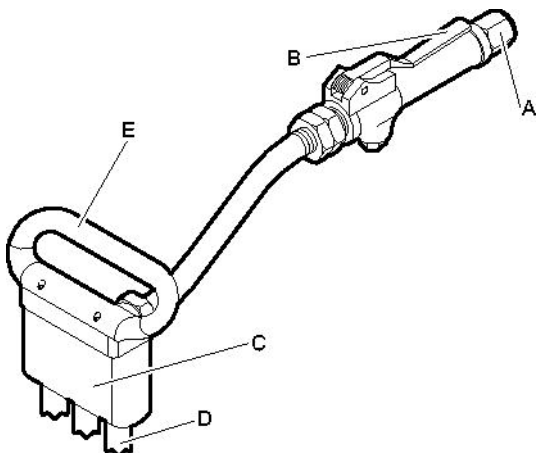
För att minska risken för allvarliga personskador eller till och med dödsfall ska du läsa avsnittet med säkerhetsinstruktionerna på de föregående sidorna i denna bruksanvisning innan du använder maskinen.

Konstruktion och funktion

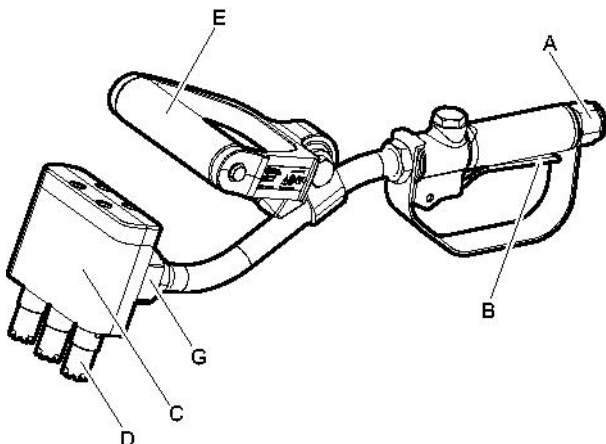
CP 0006, CP 0006 SVR och CP 0066 är maskiner avsedda för avjämning, ruggning eller avlägsnande av betong. De kan också användas för att avlägsna rost från stålytor. Maskinen kan användas både horisontellt och vertikalt. Ingen annan användning är tillåten.

Se reservdelslistan för val av rätt kolvar.

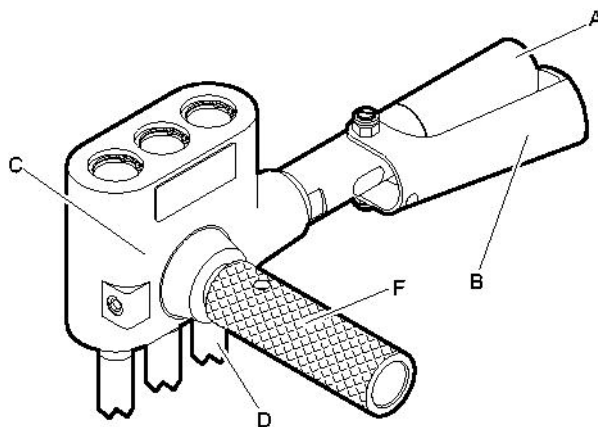
Maskinens huvuddelar



CP 0006



CP 0006 SVR



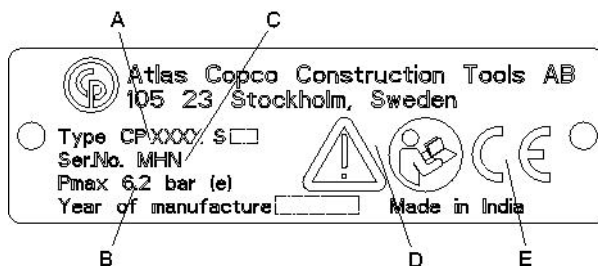
CP 0066

- A. Luftintag
- B. Start- och stoppanordning
- C. Cylinder
- D. Kolv
- E. Fronthandtag
- F. Sidohandtag
- G. Svivel

Dekaler

Maskinen är försedd med dekalerna som innehåller viktig information om personlig säkerhet och maskinunderhåll. Dekalerna ska vara i sådant skick att de enkelt kan läsas. Nya dekalerna kan beställas med hjälp av reservdelslistan.

Typskylt



- A. Modell
- B. Maximalt tillåtet lufttryck
- C. Serienummer

- D. Varningssymbol ihop med boksymbol innebär att användaren ska läsa igenom säkerhetsinstruktionen och bruksanvisningen innan maskinen används för första gången.
- E. CE-symbolen betyder att maskinen är EG-godkänd. Se den EG-deklaration som medföljer maskinen för närmare information. Om CE-symbolen saknas betyder att maskinen inte är EG-godkänd.

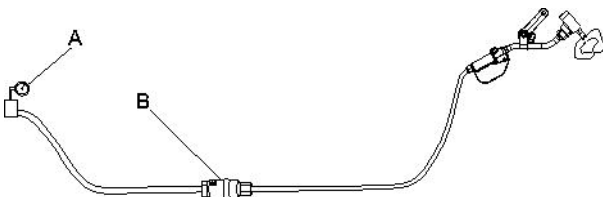
Säkerhetsdekal



För att undvika skador bör du läsa och förstå separat bifogade säkerhetsinstruktioner innan du använder eller underhåller verktyg.

Installation

Slangar och anslutningar



- A. Tryckluftskälla
B. Vattenavskiljare (tillval)

- ◆ Kontrollera att du använder det rekommenderade arbetstrycket på 87 psig (6 bar (e)).
- ◆ Det högsta tillåtna lufttrycket 90 psig (6,2 bar (e)) får ej överskridas.
- ◆ Blås ur eventuella föroreningar ur tryckluftsslangen innan du ansluter den till maskinen.
- ◆ Välj rätt dimension och längd på tryckluftsslangen. Använd en slang med en innerdiameter på minst $\frac{3}{4}$ " (19 mm) för slanglängder upp till 100 feet (30 meter). För slanglängder på 100 till 330 feet (30 till 100 meter) ska en slang med en innerdiameter på minst 1" (25 mm) användas.

- ◆ Smörj inte kolven. Det kan leda till oavsiktliga maskinstopp.
- ◆ Ett sätt att underlätta driften av maskinen är att närmast maskinen använda en gummislang med en innerdiameter på $\frac{3}{8}$ " (9,5 mm) och en längd på 10 feet (3 m).

Ansluta en vattenavskiljare

Luftslangen mellan kompressorn och vattenavskiljaren måste vara så lång att vattenångan kyls och kondenseras i slangen innan den når vattenavskiljaren.

Vid en omgivningstemperatur under 32 °F (0 °C) skall slangen vara så kort att vattnet inte hinner frysa innan det når vattenavskiljaren.

Kolv

▲ OBSERVERA Varm kolv

Spetsen på kolven kan vid användning bli varm och vass. Att vidröra spetsen kan leda till bränn- eller skärskador.

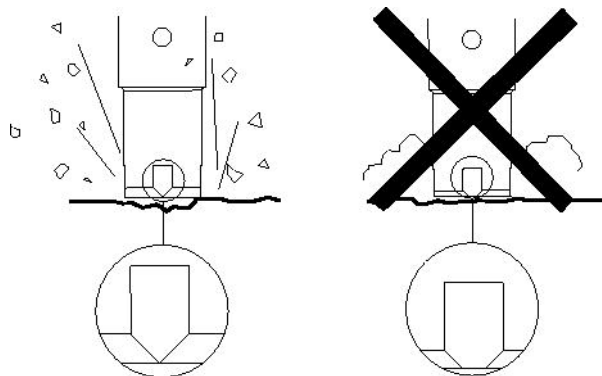
- ▶ Ta aldrig på en varm eller vass kolv.
- ▶ Vänta tills kolven har svalnat innan du utför underhåll.

OBS! Kyl inte en varm kolv i vatten då detta kan göra så att den försvagas och drabbas av förtida fel.

▲ VARNING Vibrationsfaror

Användning av en utsliten kolv kommer att leda till att arbetet tar längre tid att utföra och kan medföra att användaren utsätts för ökade vibrationer.

- ▶ Se till att kolven är väl underhållen och inte sliten.
- ▶ Använd alltid en vass kolv för att arbeta effektivt.



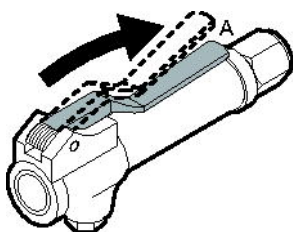
Drift

▲ VARNING Oavsiktlig start

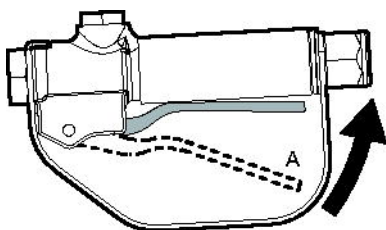
Oavsiktlig start av maskinen kan leda till personskador.

- ▶ Håll händerna borta från start- och stoppanordningen tills arbetet skall påbörjas.
- ▶ Lär dig hur man stänger av maskinen i händelse av nödfall.
- ▶ Stanna maskinen omedelbart i händelse av störningar i strömförsörjningen.

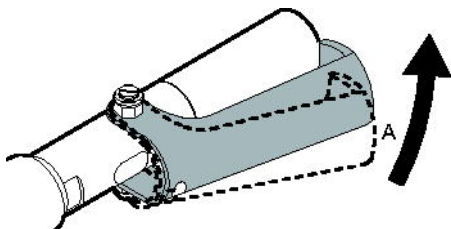
Start och stopp



CP 0006

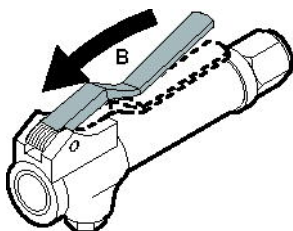


CP 0006 SVR

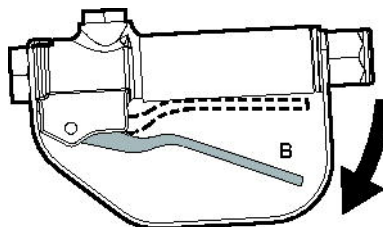


CP 0066

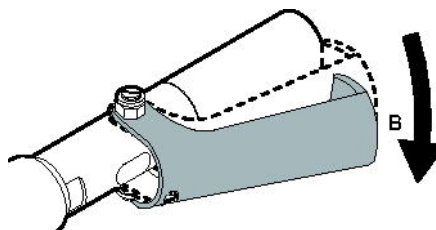
- ◆ Starta maskinen genom att hålla stadigt i handtaget och pressa in trycket (A).



CP 0006



CP 0006 SVR



CP 0066

- ◆ Stoppa maskinen genom att släppa trycket (A). Trycket återgår automatiskt till stoppläget.

Användning

Påbörja skärbete

- ◆ Stå stadigt och håll fräsen med båda händerna.
- ◆ Tryck fräsen lätt mot arbetsytan innan du börjar.

Arbete

- ◆ Låt maskinen göra jobbet. Tryck inte för hårt.
- ◆ Undvik alla former av tomgångskörning eller drift utan matningstryck.
- ◆ Start- och stoppanordningen får inte aktiveras då maskinen saknar matningstryck.
- ◆ Kontrollera att tryckluften är ren, torr och fri från smörjmedel.

När du tar rast

- ◆ Vid rast skall maskinen placeras så att den inte startas av misstag. Placera maskinen säkert på marken så att den inte kan falla omkull.
- ◆ Vid längre raster eller om du lämnar arbetsplatsen: Stäng av strömförsörjningen och lufta sedan maskinen genom att aktivera start- och stoppanordningen.

Underh all

Regelbundet underh all  r en f ruts tning f r att maskinen ska forts tta vara s ker och effektiv att anv nda. F lj underh allsinstruktionerna noggrant.

- ◆ Reng r maskinen f re underh allsarbeten f r att undvika att uts ttas f r skadliga  mnen. Se ”Faror med damm och  ngor”
- ◆ Anv nd endast originaldelar. Eventuella skador eller fel som uppst r genom anv ndning av ej godk nda delar t cks inte av garantin eller tillverkarens produktansvar.
- ◆ F lj g llande f reskrifter f r h lsa och s kerhet och s rj f r god ventilation vid reng ring av mekaniska delar med l sningsmedel.
- ◆ Kontakta din n rmaste auktoriserade verkstad f r mer omfattande service av maskinen.
- ◆ Kontrollera att maskinens vibrationsniv   r normal efter varje servicetillf lle. Vid onormal vibrationsniv  kontakta din n rmaste auktoriserade verkstad.

Dagligen

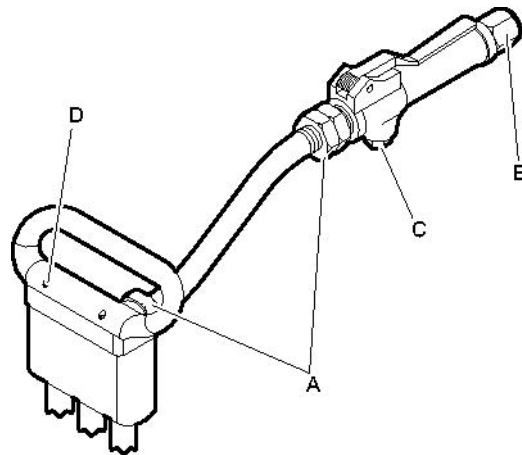
St ng alltid av tryckluftf rs rjningen och lufta maskinen genom att trycka in start- och stoppanordningen innan du utf r underh all eller byter kolv p  fr sen. Koppla d refter bort luftslangen fr n maskinen.

- ◆ Reng r och kontrollera maskinen och dess funktioner dagligen innan arbetet b rjar.
- ◆ Genomf r en allm n inspektion f r att identifiera eventuella l ckor eller skador.
- ◆ Kontrollera att luftpipeln  r  tdragen och att klokopplingen  r oskadad.
- ◆ Om maskinen har vibrationsd mpande handtag, kontrollera att dett r  r sig fritt (upp och ner) och inte fastnar.
- ◆ Kontrollera att sviveln r r sig fritt och inte fastnar.
- ◆ Kontrollera gummibussningens skick.
- ◆ Byt omedelbart ut skadade delar.
- ◆ Byt ut slitna delar i god tid.
- ◆ Se till att all ansluten utrustning och kringutrustning s som slangar och vattenavskiljare underh lls ordentligt.

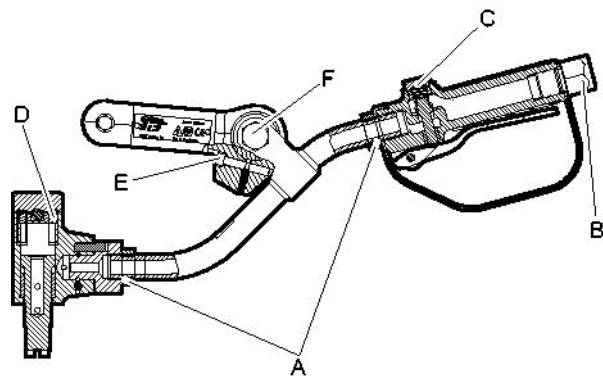
Regelbundet underh all

Ta is r maskinen och reng r och kontrollera alla delar efter varje anv ndningsperiod om ungef r 100 arbetstimmar eller tre g nger om  ret. Detta arbete ska utf ras av beh rig personal som  r utbildad f r denna uppgift.

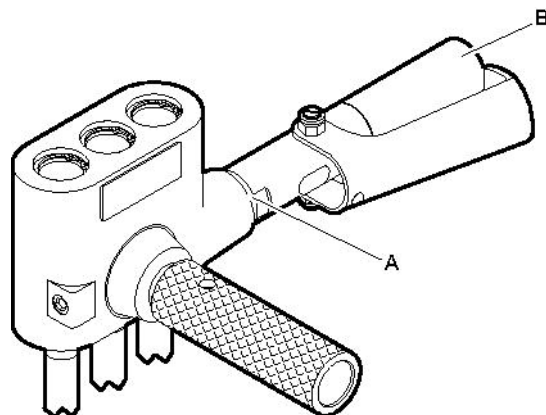
Monteringsinstruktioner



CP 0006



CP 0006 SVR



CP 0066

- A. Åtdragningsmoment: 35-40 lbf.ft (47-54 Nm), använd Loctite® 542™. (Loctite är ett registrerat varumärke som ägs av Henkel Corporation.) 542 är ett varumärke som ägs av Henkel Corporation.)
- B. Åtdragningsmoment: 50-60 lbf.ft (68-81 Nm), använd Loctite® 542™.
- C. Åtdragningsmoment: 60-70 lbf.ft (81-95 Nm), använd Loctite® 542™.
- D. Åtdragningsmoment: 15-16 lbf.ft (20-22 Nm), använd Loctite® 242™. (Loctite är ett registrerat varumärke som ägs av Henkel Corporation.) 242 är ett varumärke som ägs av Henkel Corporation.)
- E. Åtdragningsmoment: 13 lbf.ft (17 Nm).
- F. Åtdragningsmoment: 44-52 lbf.ft (60-70 Nm).

Felsökning

Om fräsen inte startar, har låg effekt eller går ojämnt ska följande kontrolleras:

- ◆ Kontrollera att kolven och cylindern är rena och torra.
- ◆ Kontrollera att tryckluftssystemet förser maskinen med tillräckligt lufttryck för att uppnå full effekt.
- ◆ Kontrollera att luftslangens diameter och längd följer rekommendationerna. Se "Installation".
- ◆ Vid risk för frysning, kontrollera att maskinens utloppsportar inte är blockerade.

Om maskinen fortfarande inte fungerar tillfredsställande, kontakta en auktoriserad serviceverkstad.

Förvaring

- > Rengör maskinen noga innan den läggs i förvaring för att undvika skadliga ämnen. Se "Förvaring med damm och ångor".
- > Förvara alltid maskinen på en torr plats.

Kassering

En uttjänt maskin skall hanteras och kasseras på ett sådant sätt att största möjliga del av materialet kan återvinnas. All form av negativ inverkan på miljön skall i möjligaste mån undvikas och lokala begränsningar respekteras.

Teknisk specifikation

Maskindata

Typ	Vikt lb (kg)	Längd in. (mm)	Slagfrekvens Hz	Luftförbrukning foot ³ /min (l/s)
CP 0006	10 (4,5)	16 ½ (411)	50	27 ½ (13)
CP 0006 SVR	15 (6,8)	20 (510)	51	27 ½ (13)
CP 0066	10 (4,5)	11 (280)	50	27 ½ (13)

Buller- och vibrationsdeklaration

Garanterad ljudeffektnivå **L_w** enligt ISO 3744 i enlighet med direktiv 2000/14/EG.

Ljudtrycksnivå **L_p** enligt ISO 11203.

Vibrationsvärde **A** och osäkerhet **B** fastställt enligt ISO 20643. Se tabellen "Buller- och vibrationsdata" för värden på A, B etc.

Dessa deklarerade värdena har erhållits genom laboratorietester i enlighet med nämnda direktiv eller standarder och är lämpliga att jämföra med deklarerade värden för andra verktyg som testats i enlighet med samma direktiv eller standarder. Dessa deklarerade värden är inte lämpliga att använda vid riskbedömningar. Värden som uppmäts på enskilda arbetsplatser kan vara högre. De faktiska exponeringsvärdena och de skaderisker som en enskild användare utsätts för är unika och beror på personens arbetssätt, i vilket material maskinen används, användarens exponeringstid och fysiska kondition samt maskinens skick.

Atlas Copco Construction Tools AB kan inte hållas ansvarigt för konsekvenserna av att de deklarerade värdena används, istället för värden som återspeglar den faktiska exponeringen vid en enskild riskbedömning i en arbetsplatssituation över vilken Atlas Copco Construction Tools AB inte har någon kontroll.

Det här verktyget kan orsaka hand-/armvibrationssyndrom om det inte används på rätt sätt. En EU-guide som tar upp frågor om hand-/armvibrationer finns tillgänglig på <http://www.humanvibration.com/EU/VIBGUIDE.htm>

Vi rekommenderar någon form av hälsoövervakningsprogram för att upptäcka tidiga symptom som kan hänföras till exponering för vibrationer, så att åtgärder kan vidtas för att förebygga framtida försämring.

Buller- och vibrationsdata

Typ	Buller		Vibrationer	
	Deklarerade värden		Deklarerade värden	
	Ljudtryck	Ljudeffekt	Värden i tre riktningar	
	ISO 11203	2000/14/EG	ISO 20643	
	L_p r=1m dB(A) rel 20µPa	L_w garanterat dB(A) rel 1pW	A m/s ² värde	B m/s ² spridning
CP 0006	92	N/A	23,1	2,8
CP 0006 SVR	92	N/A	7,1	1,2
CP 0066	-	N/A	12,8	1,8

EG-deklaration om överensstämmelse

EG-deklaration om överensstämmelse (EG-direktiv 2006/42/EG)

Vi, Atlas Copco Construction Tools AB, försäkrar härmed att nedanstående maskiner uppfyller bestämmelserna i EG-direktiv 2006/42/EG (Maskindirektivet), samt nedanstående harmoniserade standarder.

Handhållna pneumatiska fräsar	Maxtryck (bar)
CP 0006	6.2
CP 0006 SVR	6.2
CP 0066	6.2

Följande harmoniserade standarder tillämpades:

- ◆ ISO/FDIS 11148-4

Auktoriserad representant för teknisk dokumentation:

Erik Sigfridsson
Atlas Copco Construction Tools AB
Dragonvägen 2
Kalmar

Produktbolagschef:

Erik Sigfridsson

Tillverkare:

Atlas Copco Construction Tools AB
105 23 Stockholm
Sweden

Ort och datum:

Kalmar, 2010-01-01



2010-01 | No. 9800 0611 90

© Copyright Atlas Copco Construction Tools AB | STOCKHOLM • SWEDEN